



**READ THROUGH THIS MANUAL
BEFORE STARTING CONSTRUCTION.
IT CONTAINS IMPORTANT INSTRUCTIONS
AND WARNINGS CONCERNING THE
ASSEMBLY AND USE OF THIS MODEL.**



SPECIFICATION

- Wingspan: 2300mm (90.5 in)
- Length: 1873mm (73.7 in)
- Flying weight: 12.5 kg-13.5 kg
- Wing area: 162.5 dm²
- Wing loading: 76.9g/dm²
- Wing type: Naca airfoils
- Spinner size: 95mm scale type (included)
- Radio: 8 channel minimum (not included)
- Servo: 6 standard with hi-torque servo:
2 aileron; 2 elevator; 1 rudder; 1 throttle
(not included)
- Recommended receiver battery:
6.0V 2400/2600mAh NiMH (2) (not included)
- Servo mount: 21mm x 42 mm
- Propeller: suit with your engine
- Engine: 50- 61 CC gas engine (two stroke)
(not included)
- Motor: brushless outrunner 6500 W,
230 KV (not included)
- Experience level: Intermediate
- Plane type: Bipe plane

- Gravity CG: 172 mm (6.7 in) Back from the
leading edge of the upper wing
 - Control throw Ailerons: Low: 18mm up/down,
10% expo; High: 22mm up/down, 10% expo
 - Control throw Elevators: Low: 18mm up/down,
12% expo; High: 22mm up/down, 12% expo
 - Control throw Rudder: Low: 30mm right/left,
15% expo; High: 40mm right/left, 15% expo
- RECOMMENDED MOTOR AND BATTERY SET UP**
- Motor: Rimfire 50cc (not included)
 - Propeller: 22x8 to 26x10 (not included)
 - Lipo cell: 33.3-55.5V / 9-15S LiPo (not included)
 - Esc: 120 Amp (not included)



UNDER SAFETY PRECAUTIONS **This radio control model is not a toy!**

- It is highly recommended that first-time builders seek advice of experienced modelers before beginning assembly.
- Assemble this kit only in places out of children's reach!
- Take enough safety precautions prior to operating this model.
You are responsible for this model's assembly and safe operation!
- Always keep this instruction manual ready at hand for quick reference, even after completing the assembly.

TABLE OF CONTENTS

Introduction	1	Installing the horizontal stab strut	29
Warranty.....	2	Installing the engine	30
Disclaimer.....	2	Installing the fuel tank.....	34
Safety precaution	2	Installing the throttle	35
Important building notes.....	2	Mounting the cowl.....	36
Suggestion.....	2	Installing the spinner	39
Flight warnings.....	2	Installing the receiver and battery	39
Flight warnings.....	3	Installing the switch.....	39
Covering tools.....	3	Installing the electric motor (ep version).....	40
Adhesives and required tools	3	Installing the canopy.....	42
Academy of model aeronautics national		Balancing.....	43
model aircraft safety code.....	3	Lateral balance.....	45
Important notes	5	Control throws.....	45
Preparations.....	6	Flight preparation pre flight check	46
Installing the ailerons.....	6	For your radio installation	
Installing the aileron servos	7	Basic connection for airplane	
Installing the aileron linkages	8	and adjustment of servos	46
Installing the plastic cover.....	9	Main gear dimensional detail.....	47
Installing the main landing gear	10	Tail gear dimensional detail.....	47
Secure the low wing to the fuselage	15	Decoration	48
Secure the high wing to the fuselage	17	Exploded view.....	49
Horizontal stabilizer installation.....	20	Exploded view.....	50
Rudder installation	21		
Installing the rudder linkages.....	22		
Installing the tail wheel.....	24		
Installing the elevator pushrod.....	27		

INTRODUCTION

Thank you for purchasing Phoenix Model products. With over 20 years experience in production and fly testing, Phoenix Model is committed to bring the best quality products and good service to customers. Along with a team of creative engineers and skilled workers, we will always accompany with customers by our great experiences, fully enthusiasm... which will burn our passion!! Joining with us to explore and conquer challenges in the sky ...

Your satisfaction is our success. Please read through this manual before starting construction.

Academy of Model Aeronautics: If you are not already a member of the AMA, please join! The AMA is the governing body of model aviation and membership provides liability insurance coverage, protects modelers' rights and interests and is required to fly at most R/C sites.

Academy of Model Aeronautics
5151 East Memorial Drive Muncie, IN 47302-9252

Tele. (800) 435-9262
Fax (765) 741-0057

Or via the Internet at: <http://www.modelaircraft.org>



WARRANTY

Phoenix Model guarantees the component parts in this kit to be free from defects in both material and workmanship at the date of purchase by the purchaser.

This warranty does not cover cosmetic damage or damage due to acts of God, accident, misuse, abuse, negligence, commercial use, or modification of or to any part of the Product.

This warranty does not cover damage due to improper installation, operation, maintenance, or attempted repair by anyone other than Phoenix Model.

Further, Phoenix Model reserves the right to change or modify this warranty without notice.

DISCLAIMER

Read this disclaimer carefully before using this product. Please strictly follow the instruction manual to assemble and use this.

In that Phoenix Model has no control over the final assembly or material used for final assembly, Phoenix Model is not responsible for loss of use, or other incidental or consequential damages.

Furthermore, Phoenix Model cannot be held liable for personal injury or property damage caused by the use or misuse of Phoenix Model products. By the act of using the user-assembled products, the user accepts all resulting liability.

SAFETY PRECAUTION

- This is not a toy and pilots must be over the age of 14
- Be sure that no other flyers are using your radio frequency.
- Do not smoke near fuel
- Store fuel in a cool, dry place, away from children and pets.
- Wear safety glasses.
- The glow plug clip must be securely attached to the glow plug.
- Do not flip the propeller with your fingers.
- Keep loose clothing and wires away from the propeller.
- Do not start the engine if people are near. Do not stand in line with the side of the propeller.
- Make engine adjustments from behind the propeller only. Do not reach around the spinning propeller.
- Moisture causes damage to electronics. Avoid water exposure to all equipment not specifically designed and protected for this purpose.

IMPORTANT BUILDING NOTES

- Please trial fit all the parts. Make sure you have the correct parts and that they fit and are aligned properly before gluing! This will assure proper assembly. This kit is hand made from natural materials, every plane is unique and minor adjustments may have to be made. However, you should find the fit superior and assembly simple.

- The painted and plastic parts used in this kit are fuel proof. However, they are not tolerant of many harsh chemicals including the following: paint thinner, C/A glue accelerator, C/A glue debonder and acetone. Do not let these chemicals come in contact with the colors on the covering and the plastic parts.

- Some parts included in this kit such as the cowl or wheel pants are made of fiberglass, the fibers of which may cause eye, skin and respiratory tract irritation. Never blow into a part to remove fiberglass dust, as the dust will blow back into your eyes. Always wear safety goggles, a particle mask and rubber gloves when grinding, drilling and sanding fiberglass parts. Vacuum the parts and the work area thoroughly after working with fiberglass parts.

SUGGESTION

To avoid scratching your new airplane, do not unwrap the pieces until they are needed for assembly. Cover your workbench with an old towel or brown paper, both to protect the aircraft and to protect the table. Keep a couple of jars or bowls handy to hold the small parts after you open the bag.

FLIGHT WARNINGS

- Always operate in open areas, away from factories, hospitals, schools, buildings and houses etc.
- NEVER fly your aircraft close to people or built up areas.
- NEVER fly near power lines, aerials or other dangerous areas including airports, motorways etc.
- NEVER fly in wet conditions or on windy or stormy days.
- ALWAYS adjust the engine from behind the propeller, and do not allow any part of your body to be in line with the propeller.
- THE PROPELLER IS DANGEROUS Keep fingers, clothing (ties, shirt sleeves, scarves) or any other loose objects that could be caught or drawn in, away from the propeller. Take care at ALL times.
- NEVER use damaged or deformed propellers or spinners.
- Keep all onlookers (especially small children and animals) well back from the area of operation. This is a flying aircraft, which will cause serious injury in case of impact with a person or animal.
- DO NOT dispose of empty fuel containers on a fire, this can lead to an explosion.

FLIGHT WARNINGS

- When ready to fly, first extend the transmitter aerial.
- Switch on the transmitter.
- Switch on the receiver.
- Check that the wings are correctly fitted to the fuselage.
- Operate the control sticks on the transmitter and check that the control surfaces move freely and in the CORRECT directions.
- Check that the transmitter batteries have adequate power.
- ALWAYS take off into the wind.
- If the model does not respond correctly to the controls, land it as soon as possible and correct the fault.
- ALWAYS land the model INTO the wind, this ensures that the model lands at the slowest possible speed.
- Switch off the receiver.
- Switch off the transmitter.
- Empty the fuel tank after flying, fuel left in the tank can cause corrosion and lead to engine problems.

COVERING TOOLS

- Top Flite® MonoKote® Sealing Iron
- Top Flite Hot Sock Iron Cover
- Top Flite MonoKote Trim Seal Iron
- Top Flite MonoKote Heat Gun

ADHESIVES AND REQUIRED TOOLS

- Thin CA
- 30-minute epoxy
- 6-minute epoxy
- Threadlocker thread locking cement
- Mixing sticks
- Mixing cups (GPMR8056)
- Epoxy brushes
- Denatured alcohol
- Canopy Glue
- Felt-tipped pen or pencil
- Flat screwdriver
- Adjustable wrench
- Drill
- Hobby knife
- Masking tape
- Phillips screwdriver (large)
- Phillips screwdriver (small)
- Ruler
- Sandpaper
- Soldering iron
- Solder
- Hex wrench
- Drill bit: 1/16-inch (1.5mm), 5/64-inch (2mm), 1/8-inch (3,2mm), 3/16-inch (4,8mm), 11/64-inch (4.5mm), 13/64-inch (5,2mm), 1/4-inch (6,4mm)

Academy of Model Aeronautics National Model Aircraft Safety Code**Effective January 1, 2014**

A. GENERAL: A model aircraft is a non-human-carrying aircraft capable of sustained flight in the atmosphere. It may not exceed limitations of this code and is intended exclusively for sport, recreation, education and/or competition. All model flights must be conducted in accordance with this safety code and any additional rules specific to the flying site.

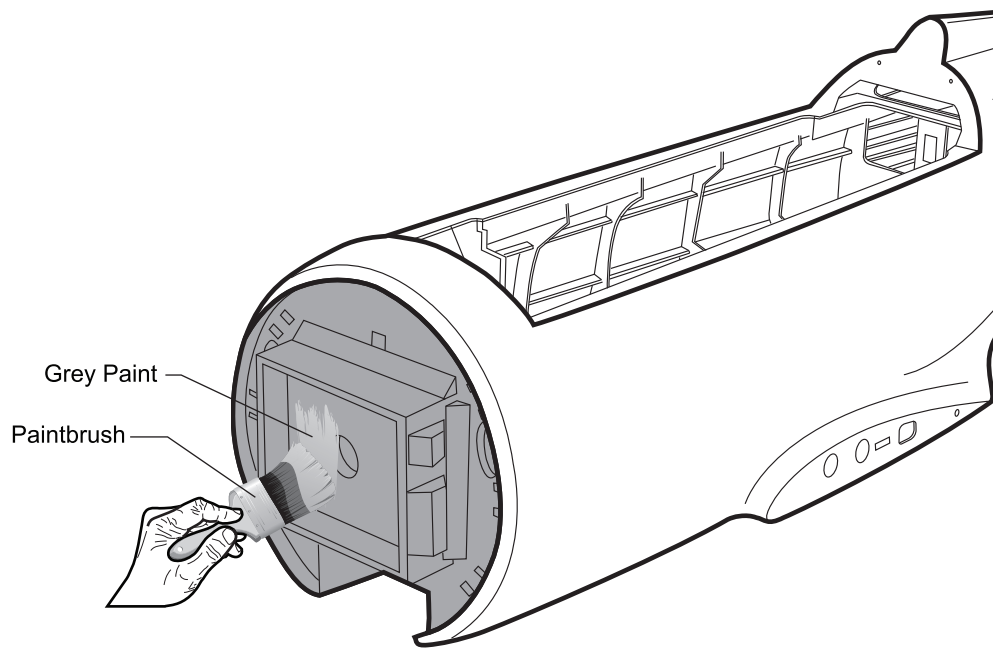
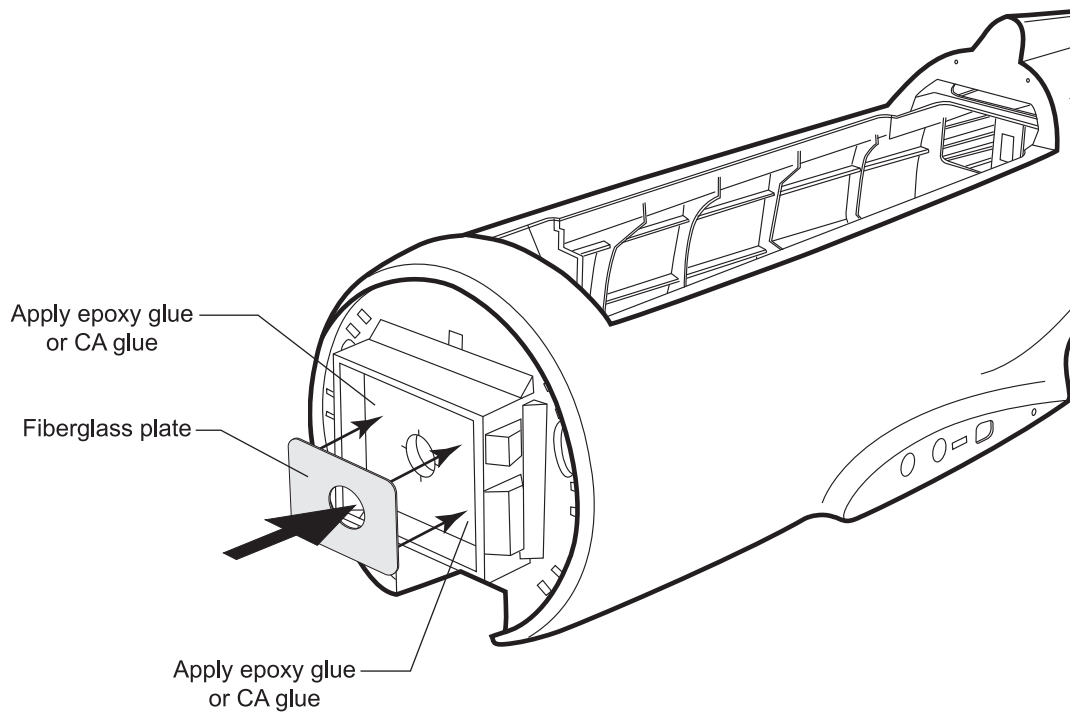
1. Model aircraft will not be flown:
 - (a) In a careless or reckless manner.
 - (b) At a location where model aircraft activities are prohibited.
2. Model aircraft pilots will:
 - (a) Yield the right of way to all human-carrying aircraft.
 - (b) See and avoid all aircraft and a spotter must be used when appropriate. (AMA Document #540-D.)
 - (c) Not fly higher than approximately 400 feet above ground level within three (3) miles of an airport without notifying the airport operator.
 - (d) Not interfere with operations and traffic patterns at any airport, heliport or seaplane base except where there is a mixed use agreement.
 - (e) Not exceed a takeoff weight, including fuel, of 55 pounds unless in compliance with the AMA Large Model Airplane program. (AMA Document 520-A.)
 - (f) Ensure the aircraft is identified with the name and address or AMA number of the owner on the inside or affixed to the outside of the model aircraft. (This does not apply to model aircraft flown indoors.)
 - (g) Not operate aircraft with metal-blade propellers or with gaseous boosts except for helicopters operated under the provisions of AMA Document #555.
 - (h) Not operate model aircraft while under the influence of alcohol or while using any drug that could adversely affect the pilot's ability to safely control the model.
 - (i) Not operate model aircraft carrying pyrotechnic devices that explode or burn, or any device which propels a projectile or drops any object that creates a hazard to persons or property.

Exceptions:

- Free Flight fuses or devices that burn producing smoke and are securely attached to the model aircraft during flight.
- Rocket motors (using solid propellant) up to a G-series size may be used provided they remain attached to the model during flight. Model rockets may be flown in accordance with the National Model Rocketry Safety Code but may not be launched from model aircraft.


- Officially designated AMA Air Show Teams (AST) are authorized to use devices and practices as defined within the Team AMA Program Document. (AMA Document #718.)
- (j) Not operate a turbine-powered aircraft, unless in compliance with the AMA turbine regulations. (AMA Document #510-A.)
- 3. Model aircraft will not be flown in AMA sanctioned events, air shows or model demonstrations unless:
 - (a) The aircraft, control system and pilot skills have successfully demonstrated all maneuvers intended or anticipated prior to the specific event.
 - (b) An inexperienced pilot is assisted by an experienced pilot.
- 4. When and where required by rule, helmets must be properly worn and fastened. They must be OSHA, DOT, ANSI, SNELL or NOCSAE approved or comply with comparable standards.
- B. RADIO CONTROL (RC)
 - 1. All pilots shall avoid flying directly over unprotected people, vessels, vehicles or structures and shall avoid endangerment of life and property of others.
 - 2. A successful radio equipment ground-range check in accordance with manufacturer's recommendations will be completed before the first flight of a new or repaired model aircraft.
 - 3. At all flying sites a safety line(s) must be established in front of which all flying takes place. (AMA Document #706.)
 - (a) Only personnel associated with flying the model aircraft are allowed at or in front of the safety line.
 - (b) At air shows or demonstrations, a straight safety line must be established.
 - (c) An area away from the safety line must be maintained for spectators.
 - (d) Intentional flying behind the safety line is prohibited.
 - 4. RC model aircraft must use the radio-control frequencies currently allowed by the Federal Communications Commission (FCC). Only individuals properly licensed by the FCC are authorized to operate equipment on Amateur Band frequencies.
 - 5. RC model aircraft will not knowingly operate within three (3) miles of any pre-existing flying site without a frequency-management agreement. (AMA Documents #922 and #923.)
 - 6. With the exception of events flown under official AMA Competition Regulations, excluding takeoff and landing, no powered model may be flown outdoors closer than 25 feet to any individual, except for the pilot and the pilot's helper(s) located at the flightline.
 - 7. Under no circumstances may a pilot or other person touch an outdoor model aircraft in flight while it is still under power, except to divert it from striking an individual.
 - 8. RC night flying requires a lighting system providing the pilot with a clear view of the model's attitude and orientation at all times. Hand-held illumination systems are inadequate for night flying operations.
 - 9. The pilot of an RC model aircraft shall:
 - (a) Maintain control during the entire flight, maintaining visual contact without enhancement other than by corrective lenses prescribed for the pilot.
 - (b) Fly using the assistance of a camera or First-Person View (FPV) only in accordance with the procedures outlined in AMA Document #550.
 - (c) Fly using the assistance of autopilot or stabilization system only in accordance with the procedures outlined in AMA Document #560.
- C. FREE FLIGHT
 - 1. Must be at least 100 feet downwind of spectators and automobile parking when the model aircraft is launched.
 - 2. Launch area must be clear of all individuals except mechanics, officials, and other fliers.
 - 3. An effective device will be used to extinguish any fuse on the model aircraft after the fuse has completed its function.
- D. CONTROL LINE
 - 1. The complete control system (including the safety thong where applicable) must have an inspection and pull test prior to flying.
 - 2. The pull test will be in accordance with the current Competition Regulations for the applicable model aircraft category.
 - 3. Model aircraft not fitting a specific category shall use those pull-test requirements as indicated for Control Line Precision Aerobatics.
 - 4. The flying area must be clear of all utility wires or poles and a model aircraft will not be flown closer than 50 feet to any above-ground electric utility lines.
 - 5. The flying area must be clear of all nonessential participants and spectators before the engine is started.

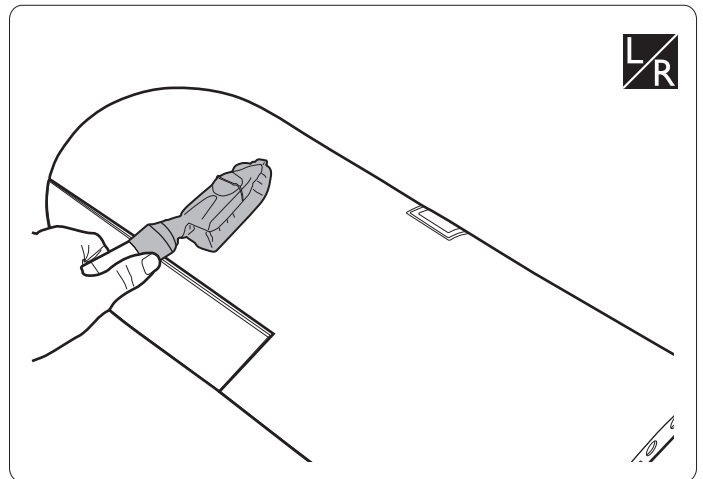
IMPORTANT NOTES



PREPARATIONS

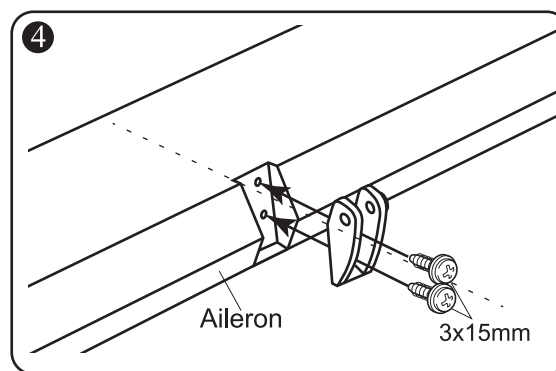
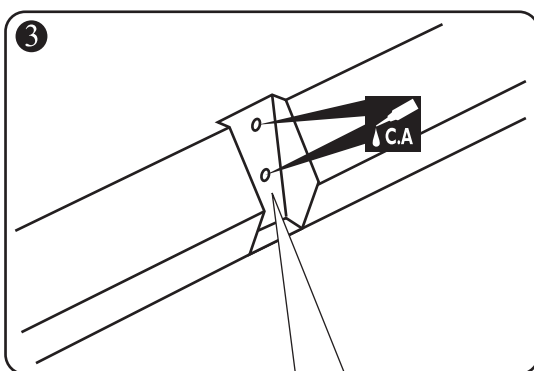
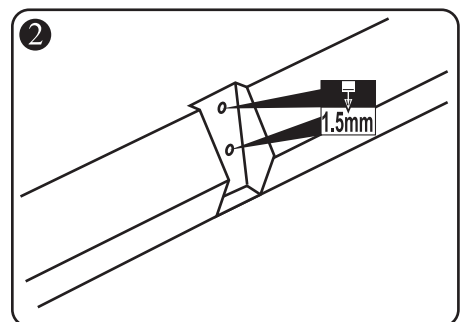
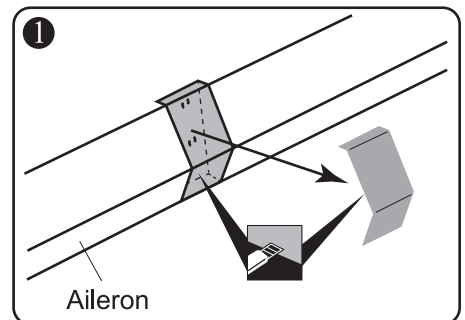
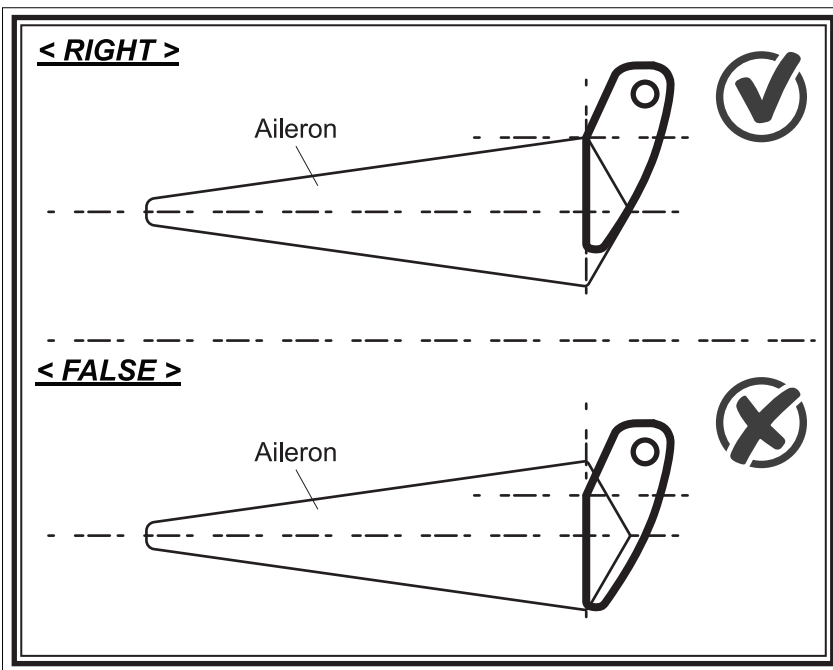
Use a covering iron with a covering sock on high heat to tighten the covering if necessary. Apply pressure over sheeted areas to thoroughly bond the covering to the wood.


 Assemble left and right sides the same way






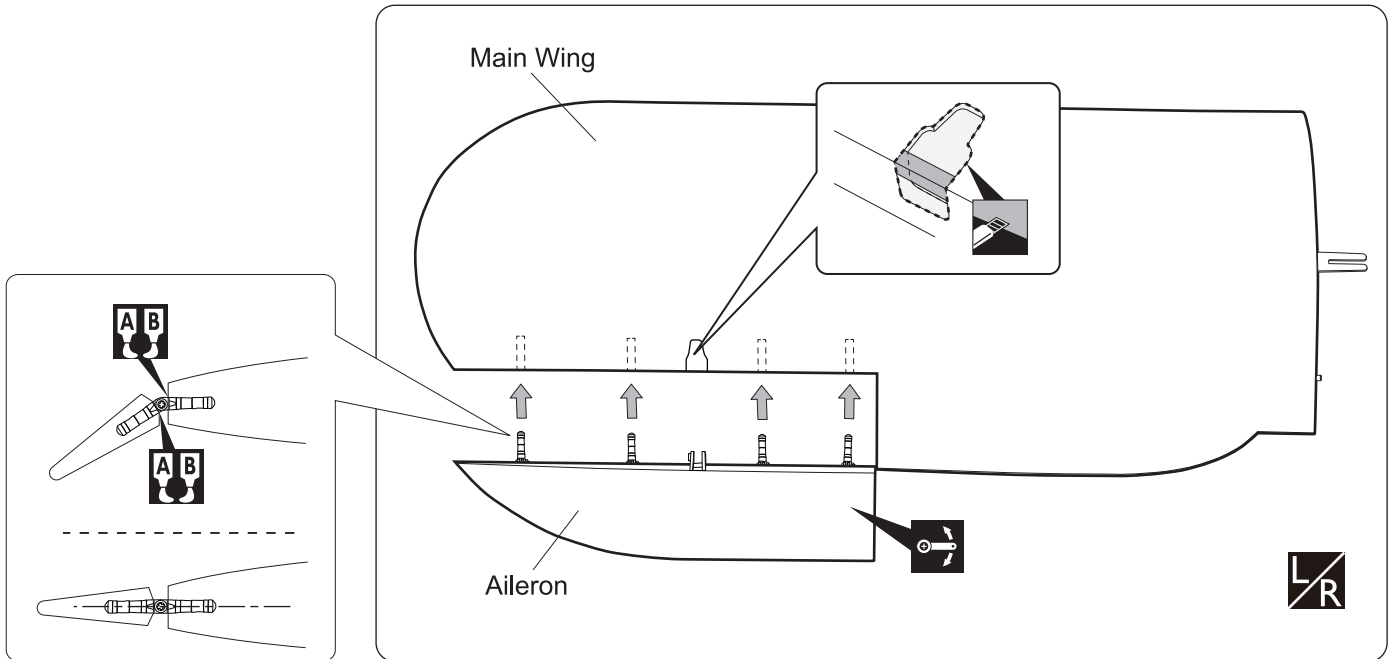
INSTALLING THE AILERONS

 **WARNINGS**



 **Warning!**
 ► Please note that C.A glue must be apply to these holes before screw the control horn to the aileron. If not, it comes off during flights, you may lose control of your airplane, resulting in an accident !

-  Cut off shaded portion
-  Drill holes with the specified diameter.
-  Apply instant glue (CA glue, super glue).



▶ Make certain the hinges are adequately secured with glue. If they come loose in flight accidents may result.



Cut off shaded portion



Assemble left and right sides the same way



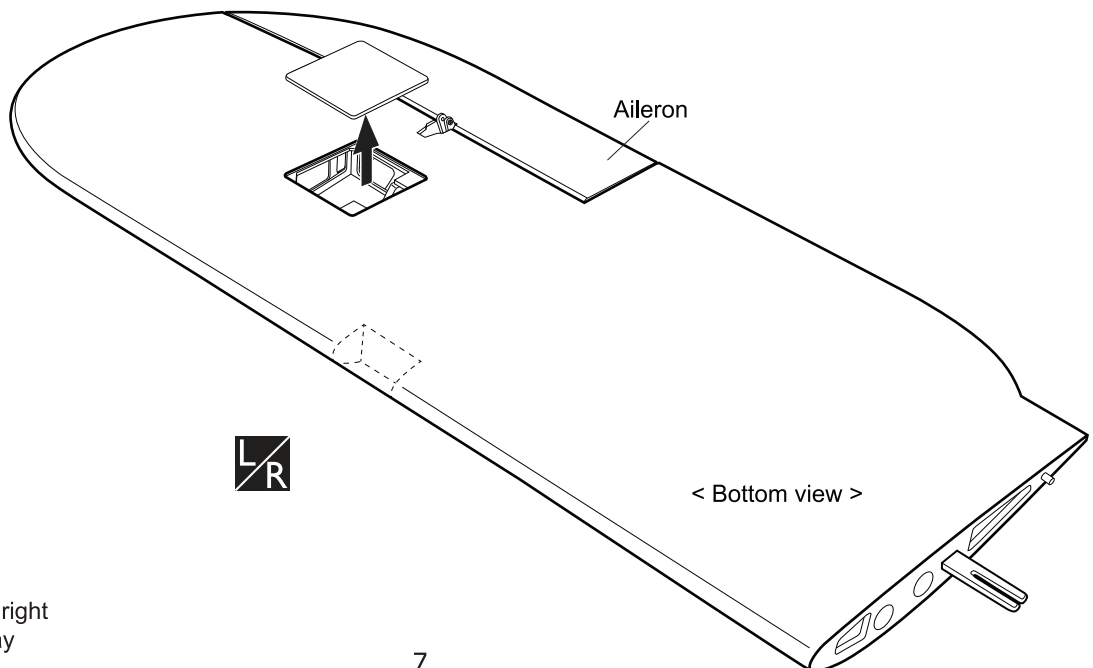
Apply epoxy glue.



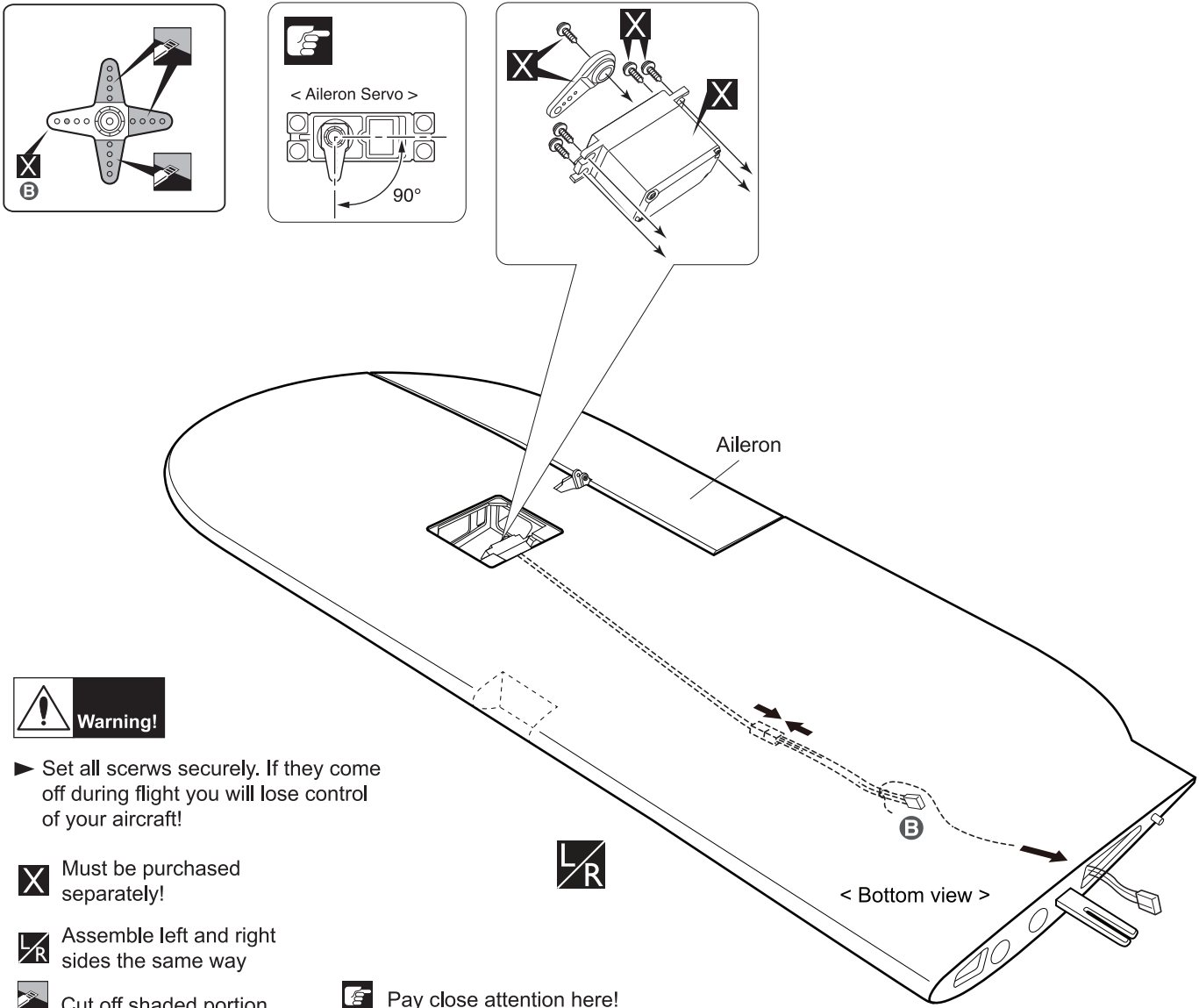
Ensure smooth, non-binding movement when assembling.

INSTALLING THE AILERONS SERVOS

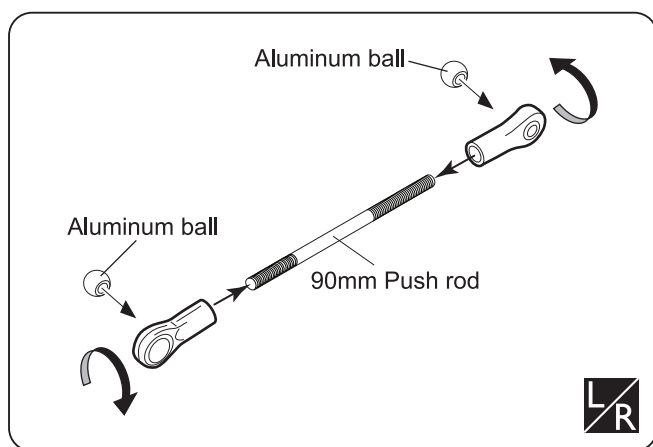
1. Install the rubber grommets and brass eyelets onto the aileron servo.
2. Using a modeling knife, remove the covering from over the pre-cut servo arm exit hole on the aileron servo tray / hatch. This hole will allow the servo arm to pass through when installing the aileron pushrods.
3. Place the servo into the servo tray. Center the servo within the tray and drill pilot holes through the block of wood for each of the four mounting screws provided with the servo.
4. Using the thread as a guide and using masking tape, tape the servo lead to the end of the thread: carefully pull the thread out. When you have pulled the servo lead out, remove the masking tape and the servo lead from the thread.
5. Place the aileron servo tray / hatch into the servo box on the bottom of the wing and drill pilot holes through the tray and the servo box for each of the four mounting screws. Secure the servo tray in place using the mounting screws provided.
6. Repeat step # 2 - # 5 to install the second aileron servo in the opposite wing half.



Assemble left and right sides the same way

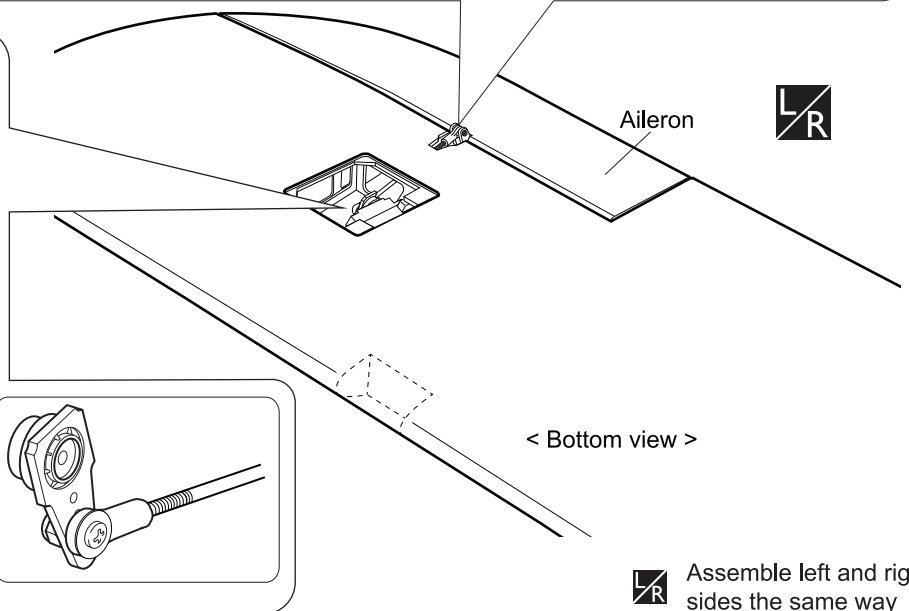
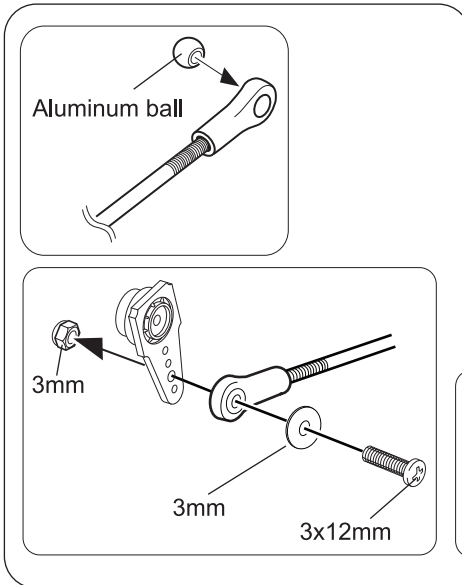
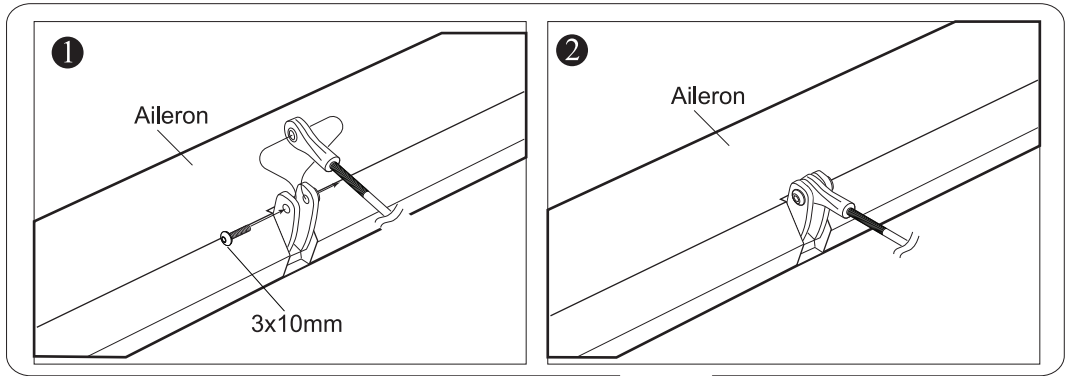


INSTALLING THE AILERONS LINKAGES



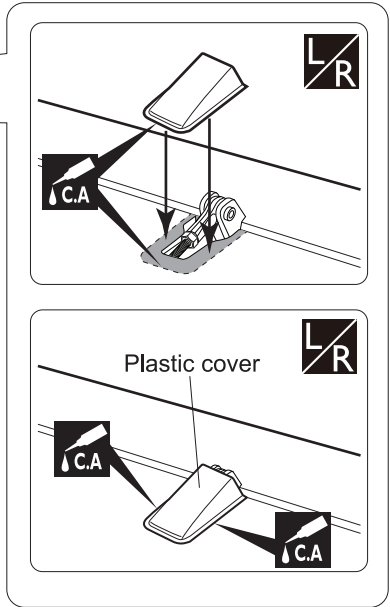
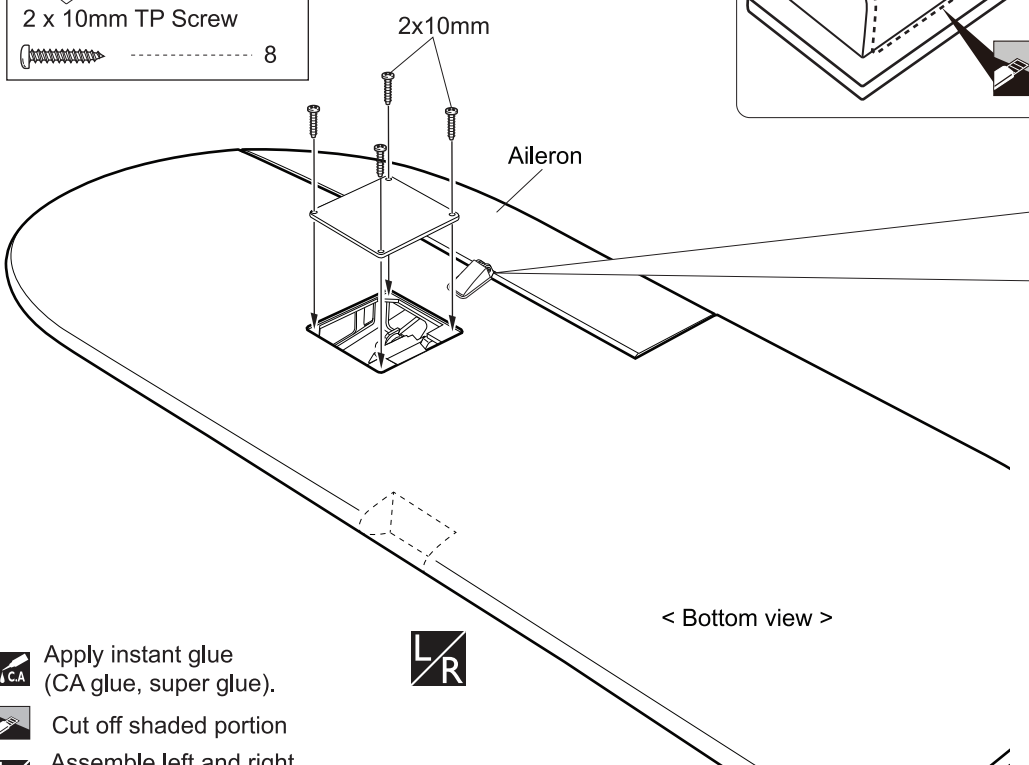
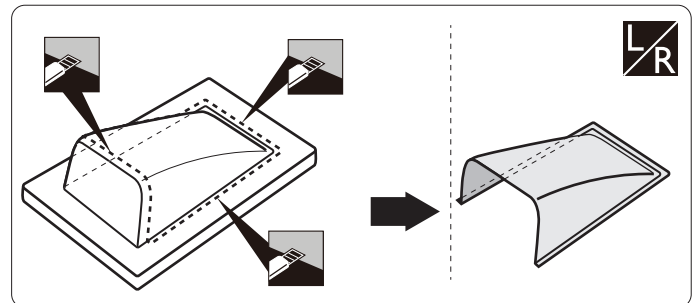
	-----	2
	-----	2
	-----	2
	-----	2
	-----	2
	-----	2
	-----	4
	-----	4
	-----	2

LR Assemble left and right sides the same way



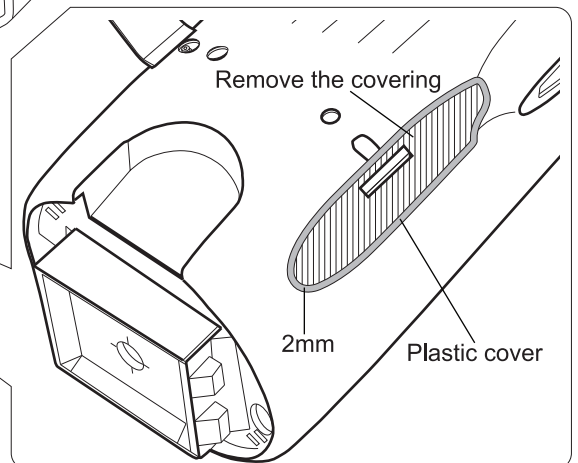
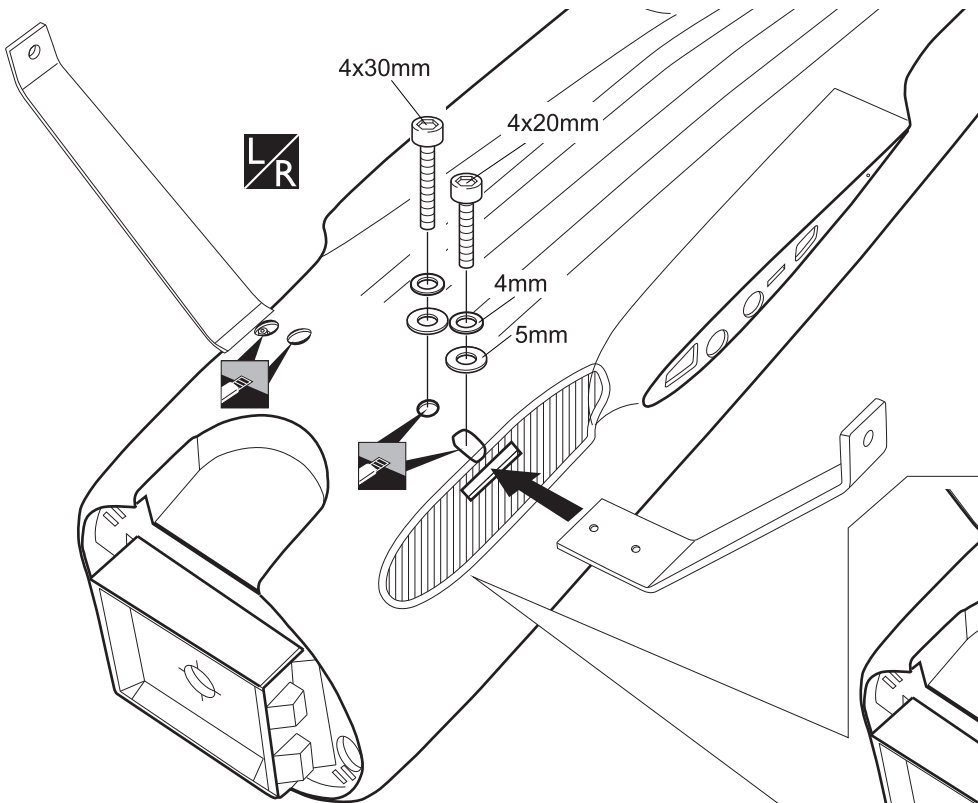
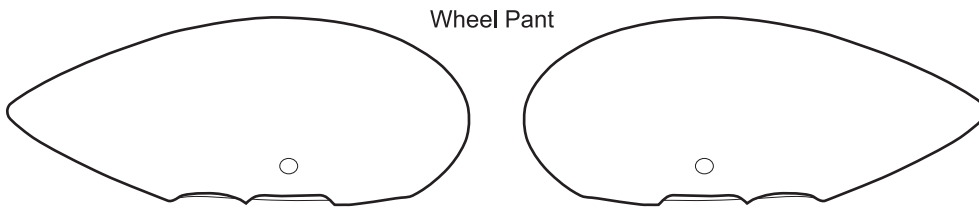
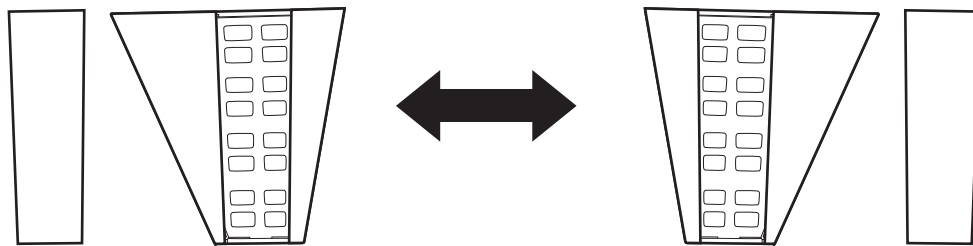
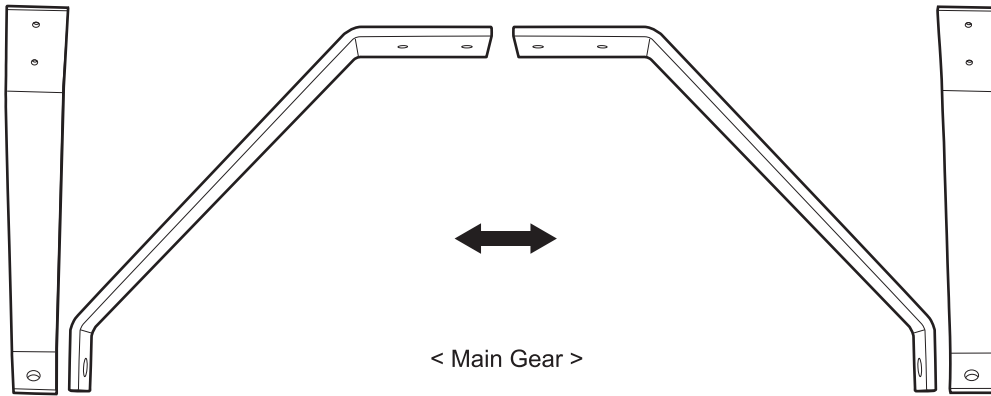
INSTALLING THE PLASTIC COVER

- Plastic cover 2
- 2 x 10mm TP Screw 8



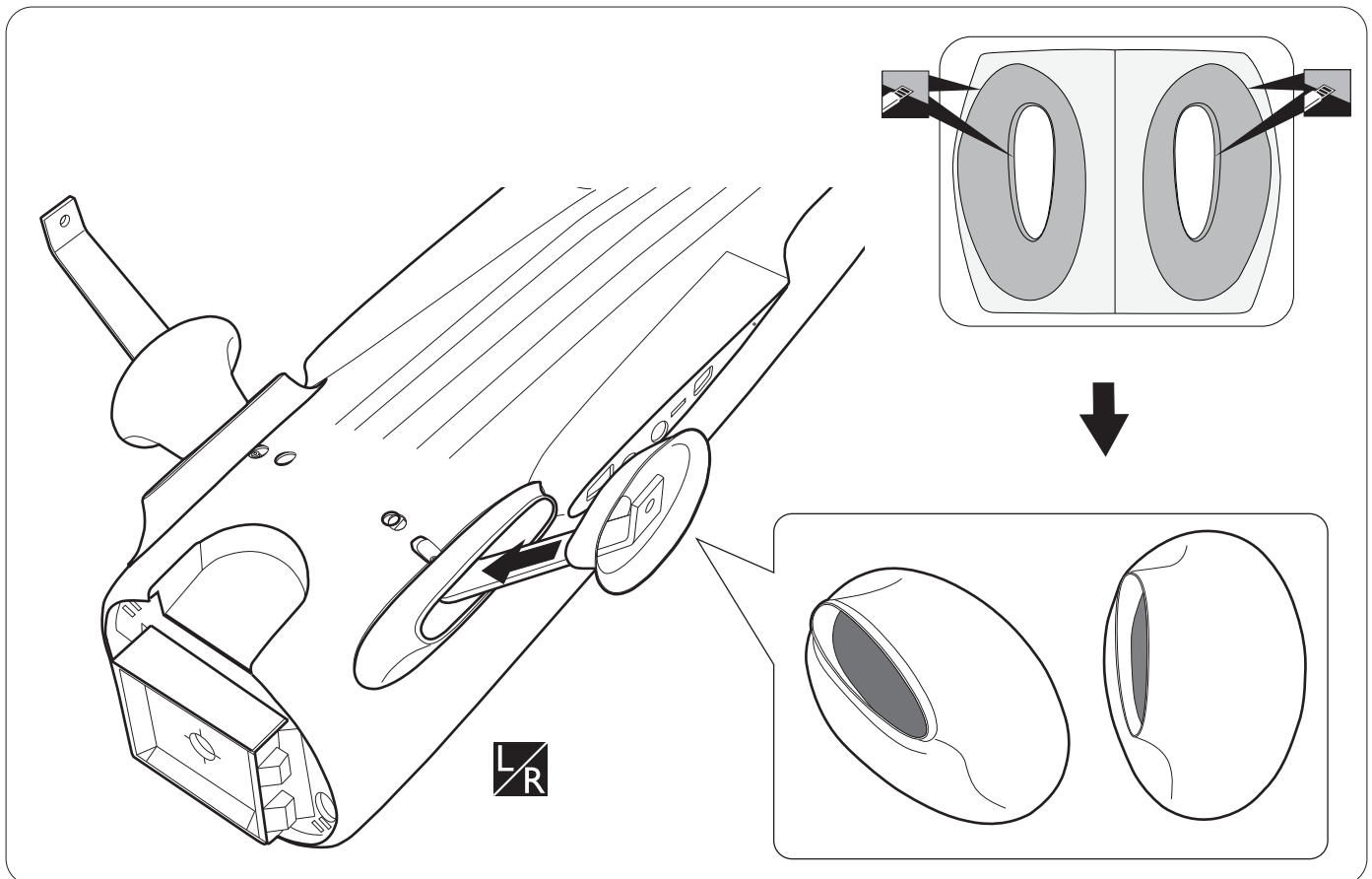
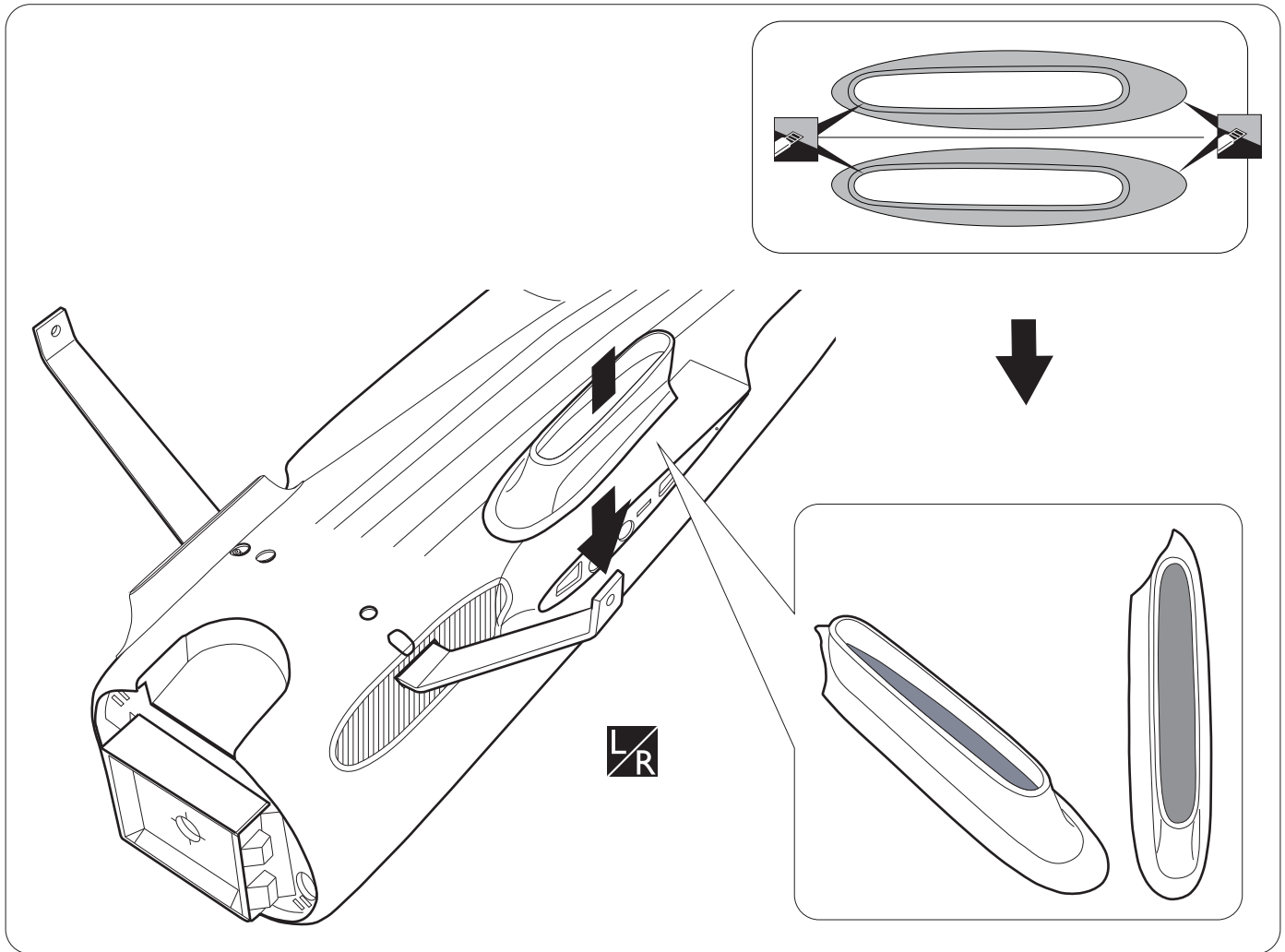
- Apply instant glue (CA glue, super glue).
- Cut off shaded portion
- Assemble left and right sides the same way


INSTALLING THE MAIN LANDING GEAR




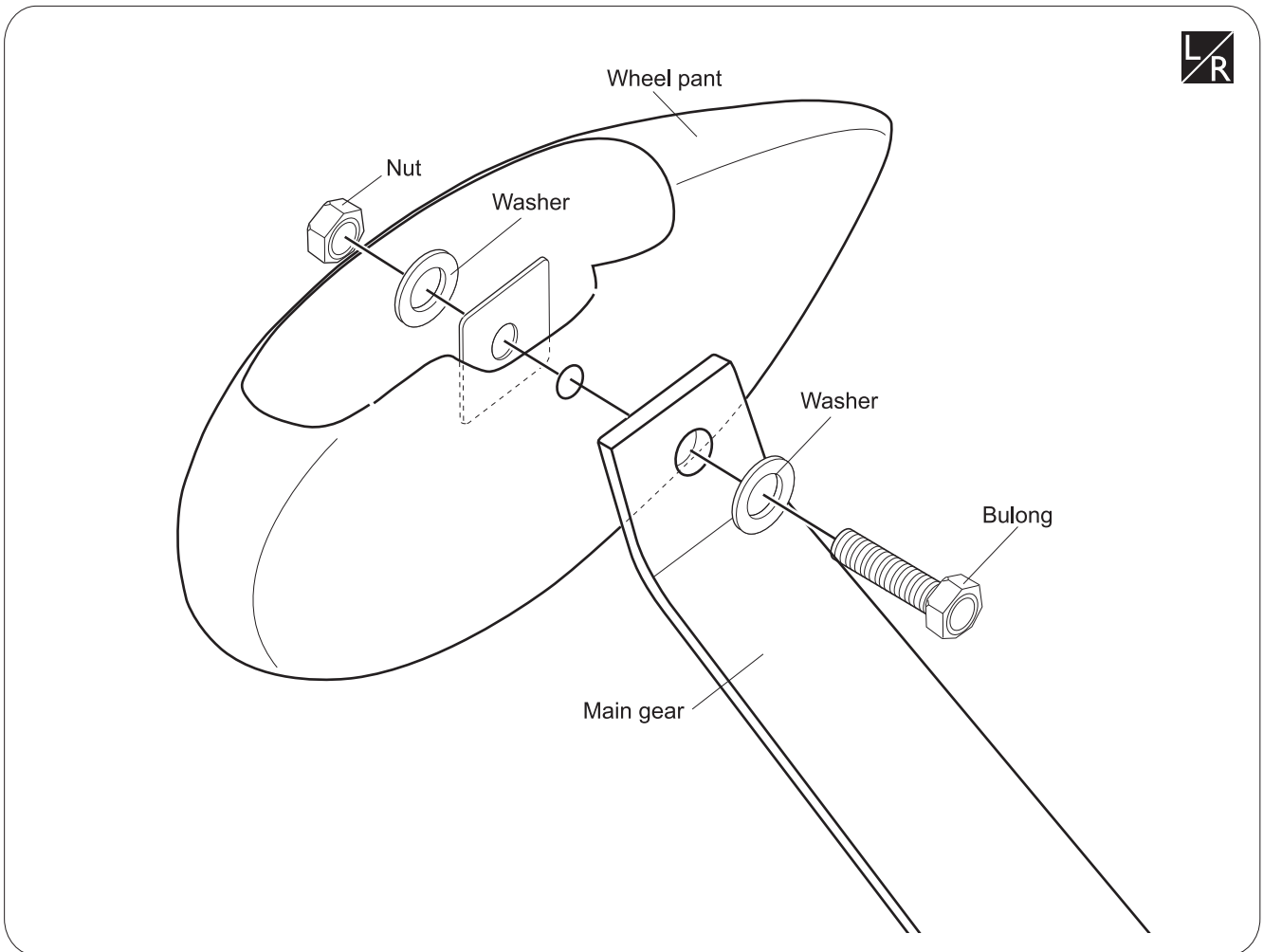
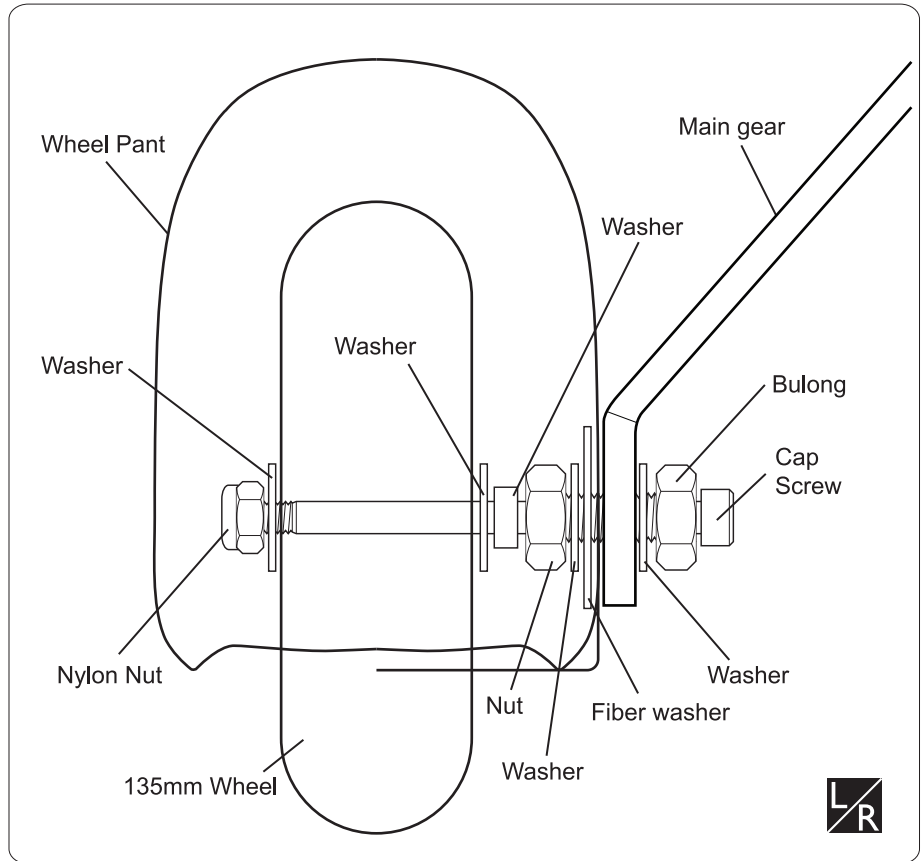
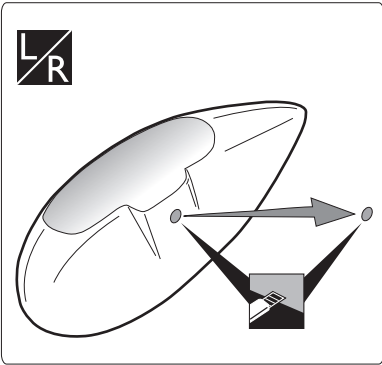
6 x 75mm Cap Screw		2
6mm Nylon Nut		2
10mm Nut		2
10 x 20mm Bulong		2
11mm Washer		4
6 x 4mm Washer		2
6mm Washer		4
4 x 20mm Cap Screw		2
4 x 30mm Cap Screw		2
4mm Washer		4
4mm Spring Washer		4
10mm		4
		2



- Cut off shaded portion
- Assemble left and right sides the same way

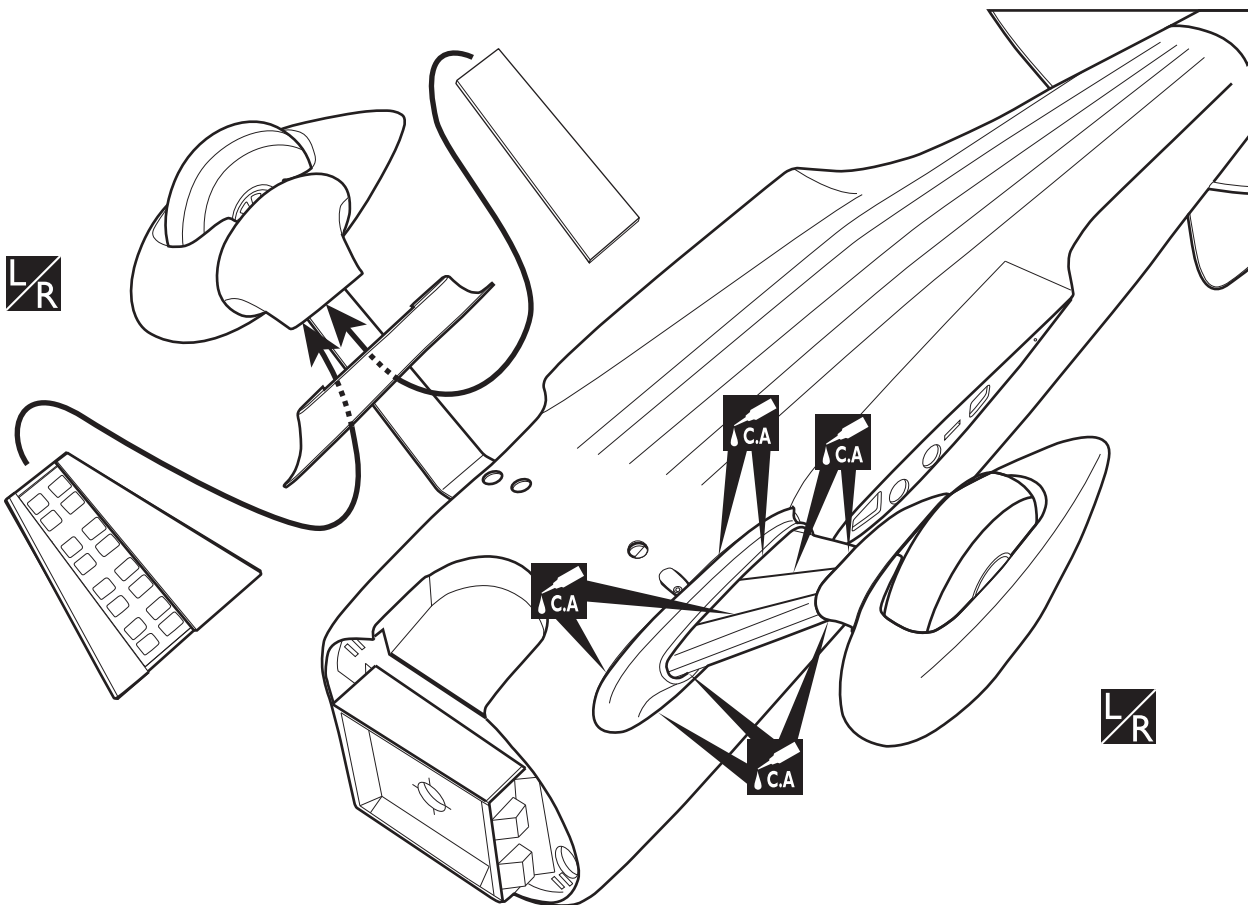
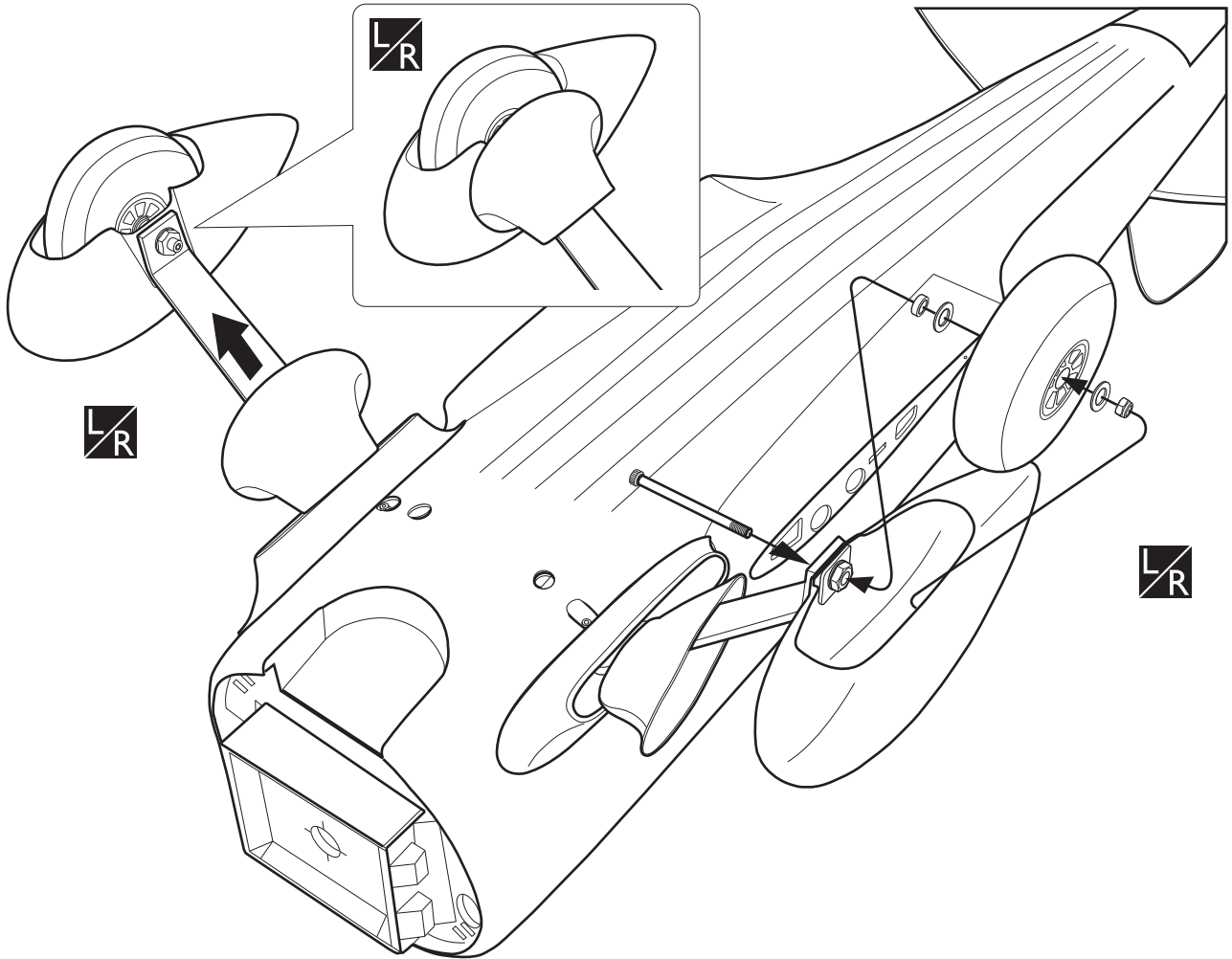



 Cut off shaded portion


 Assemble left and right sides the same way

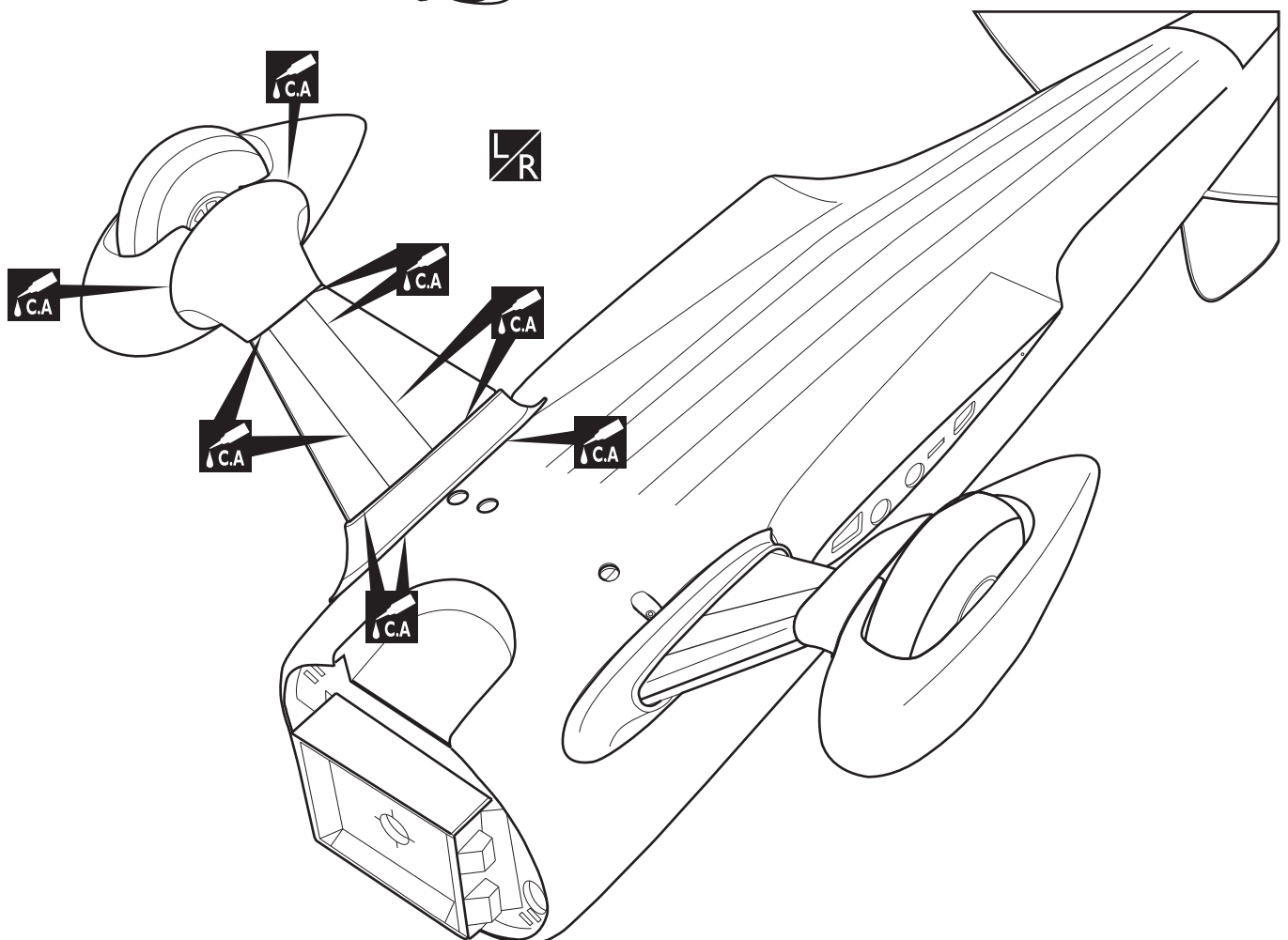
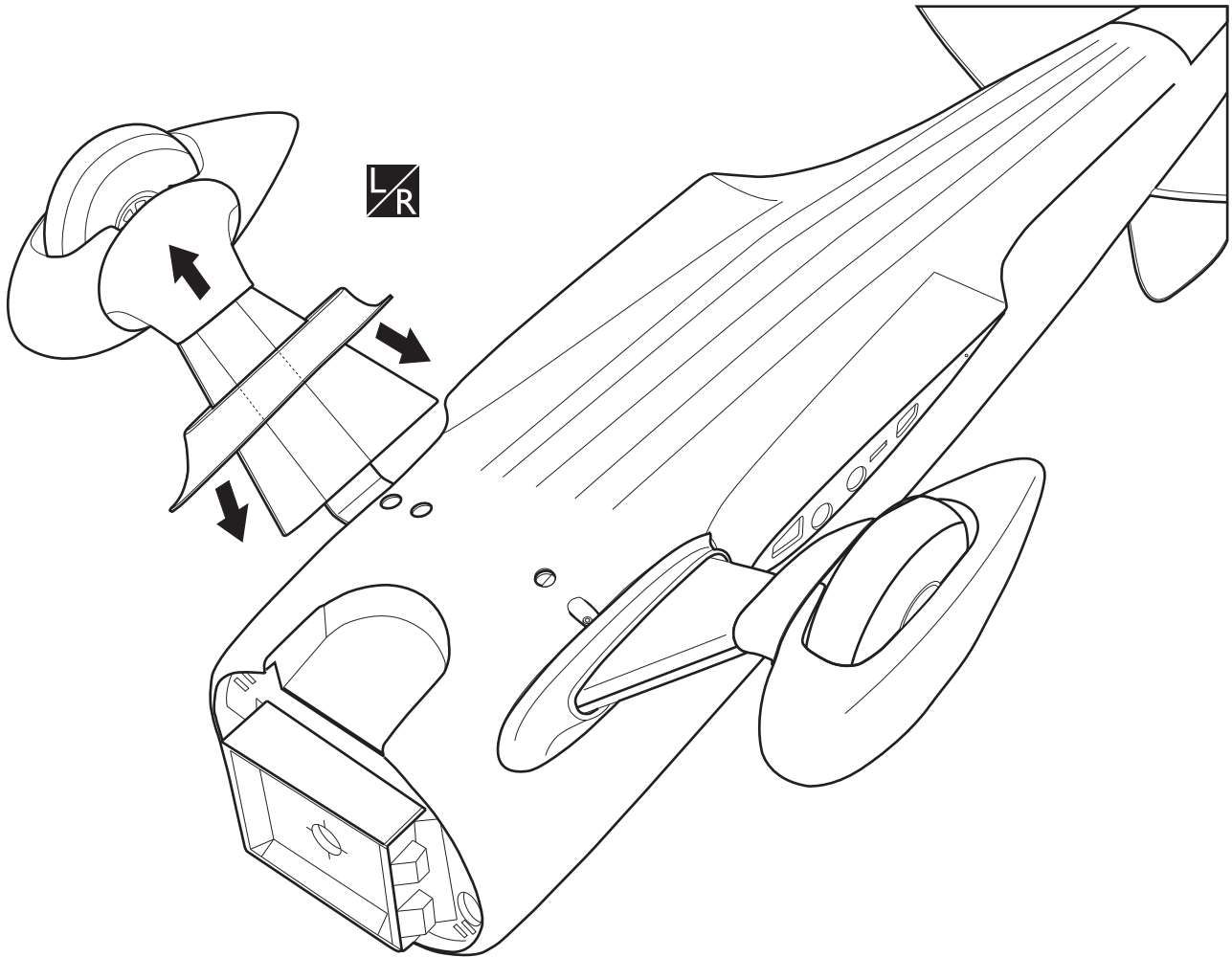



-  Cut off shaded portion
-  Assemble left and right sides the same way




 Assemble left and right sides the same way

 Apply instant glue (CA glue, super glue).



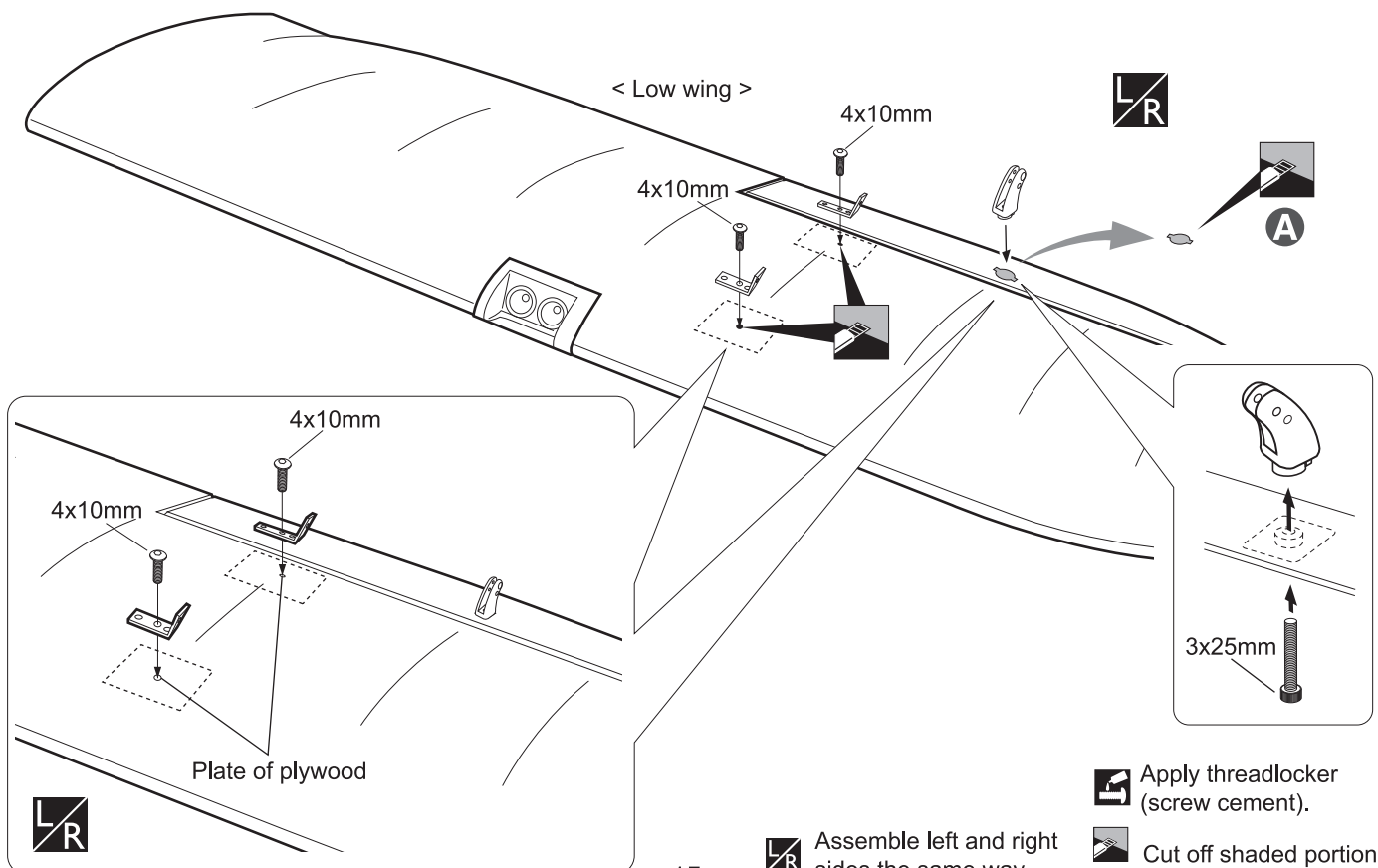
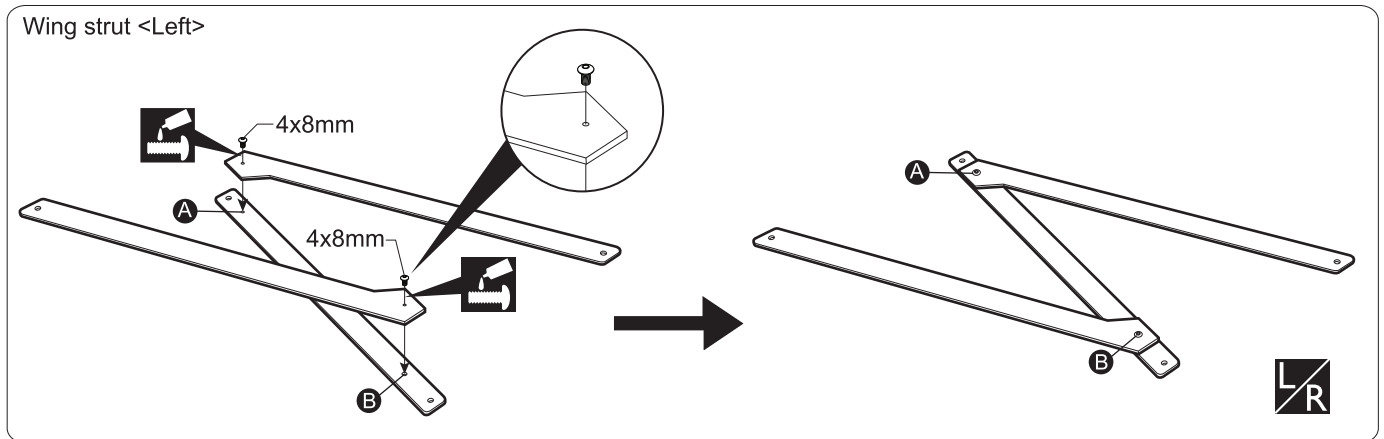
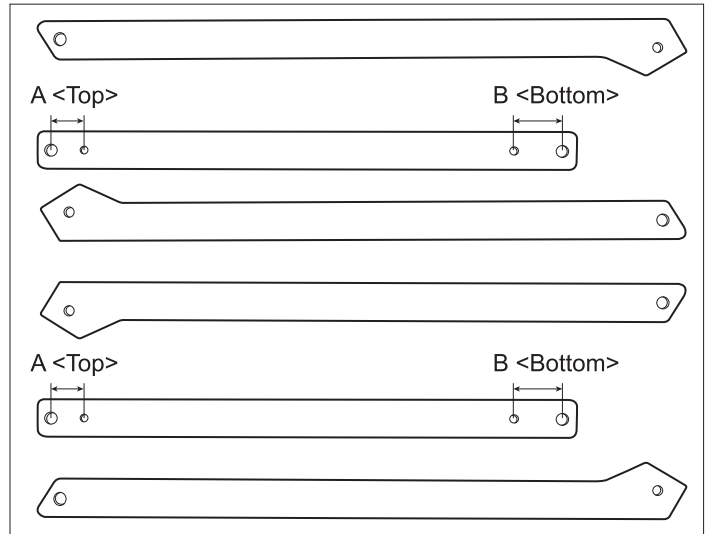
 Assemble left and right sides the same way

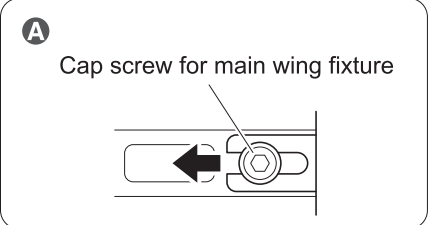
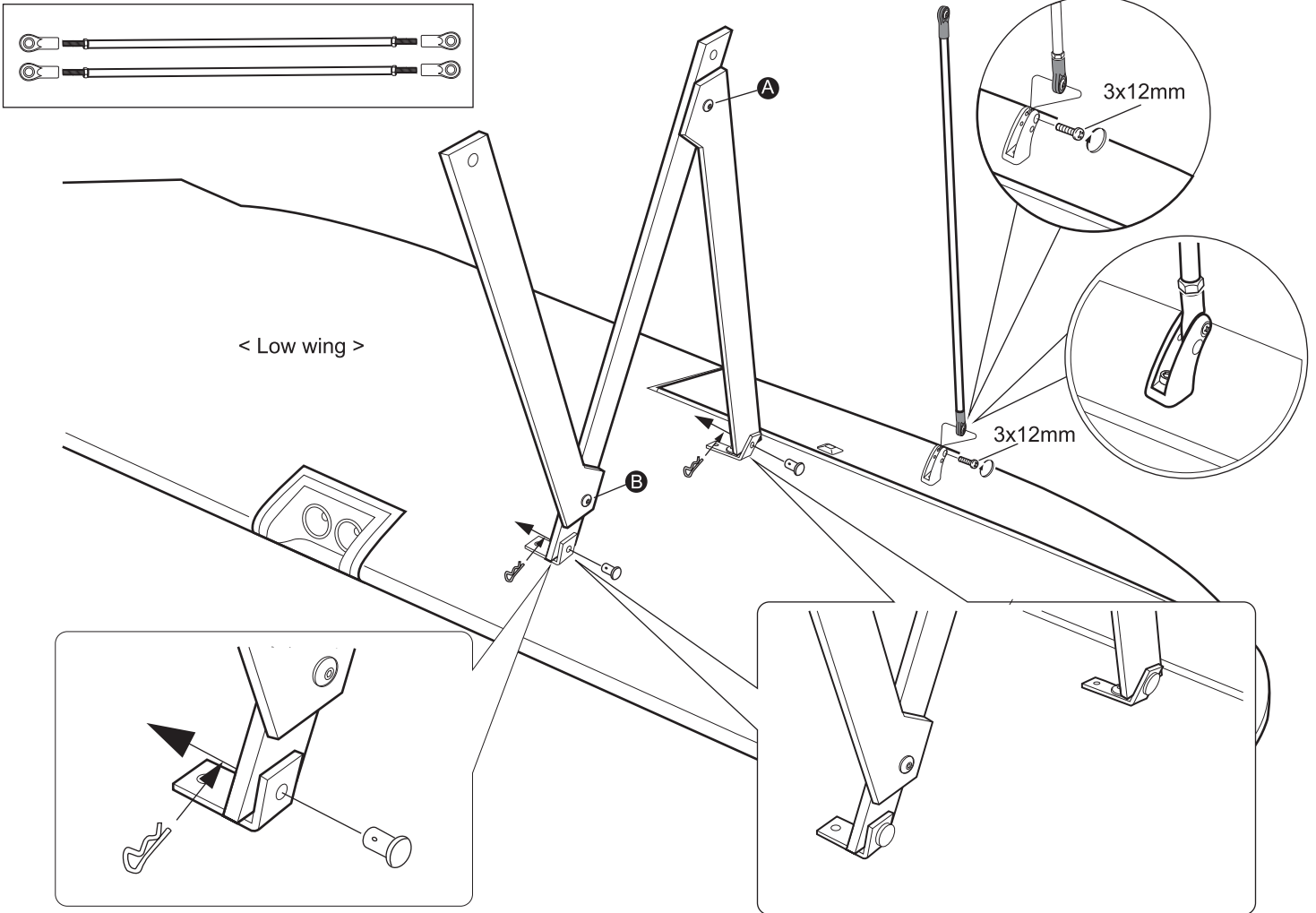
 Apply instant glue (CA glue, super glue).

SECURE THE LOW WING TO THE FUSELAGE

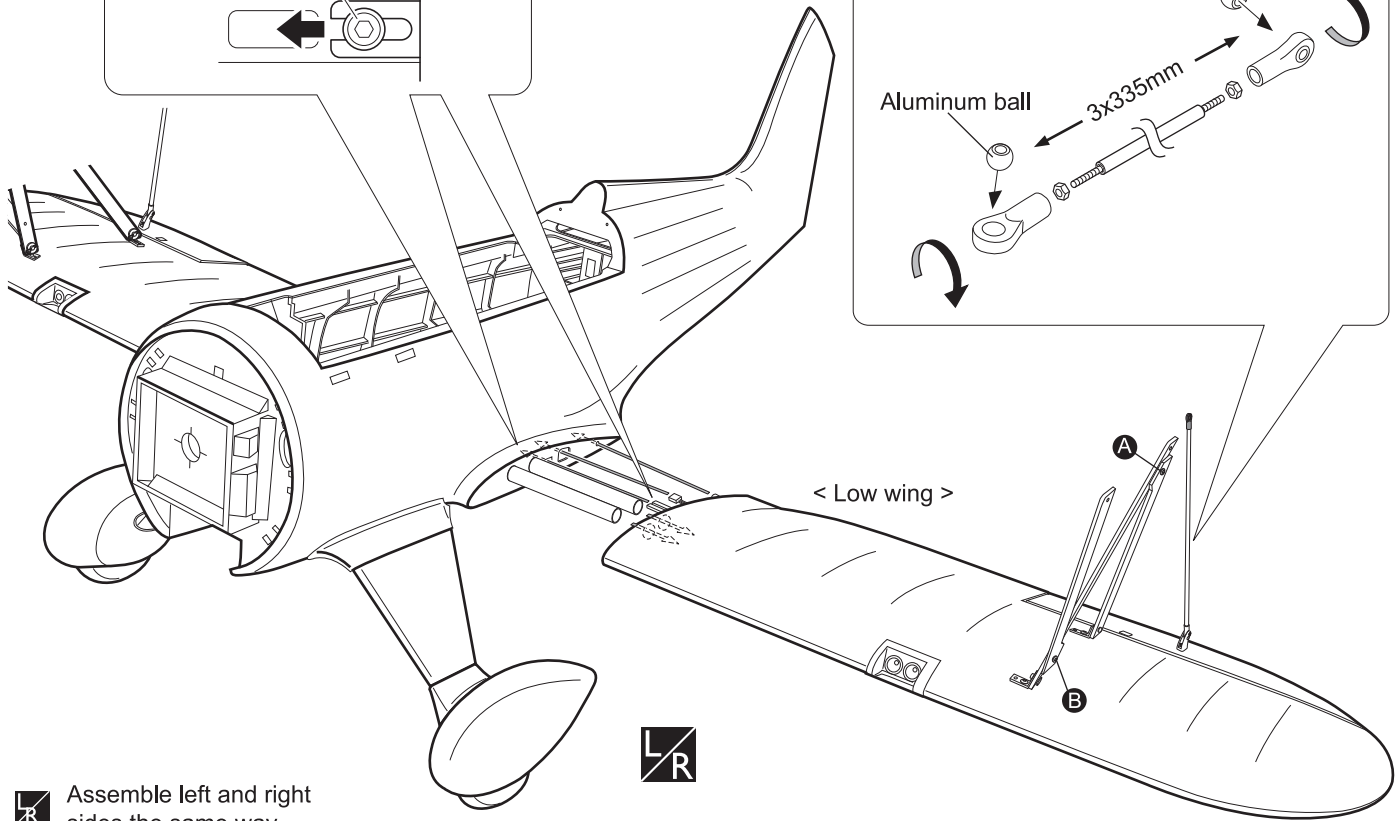
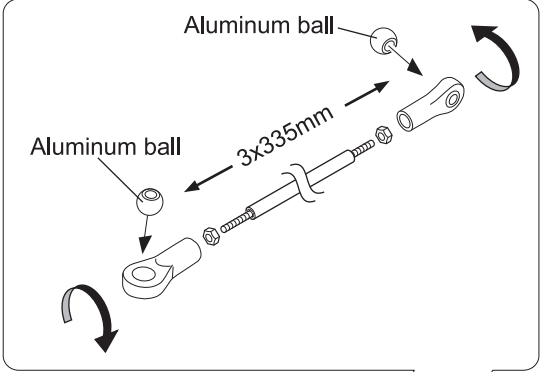
Attach the wings to the joiner tube and secure the wing panels to the fuselage.


4 x 8mm Button Screw 4	 2
4 x 10mm Button Screw 4	 2
 4	3 x 25mm Cap Screw 2
 4	Aluminum ball 2
 4	 2
3 x 335mm Rod 2	3 x 12mm Screw 2
 2	 2



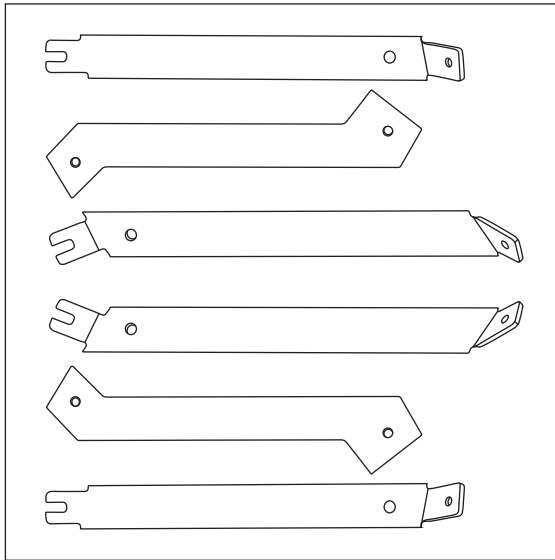


A Main wing must be inserted and attached completely before fixing with screw.



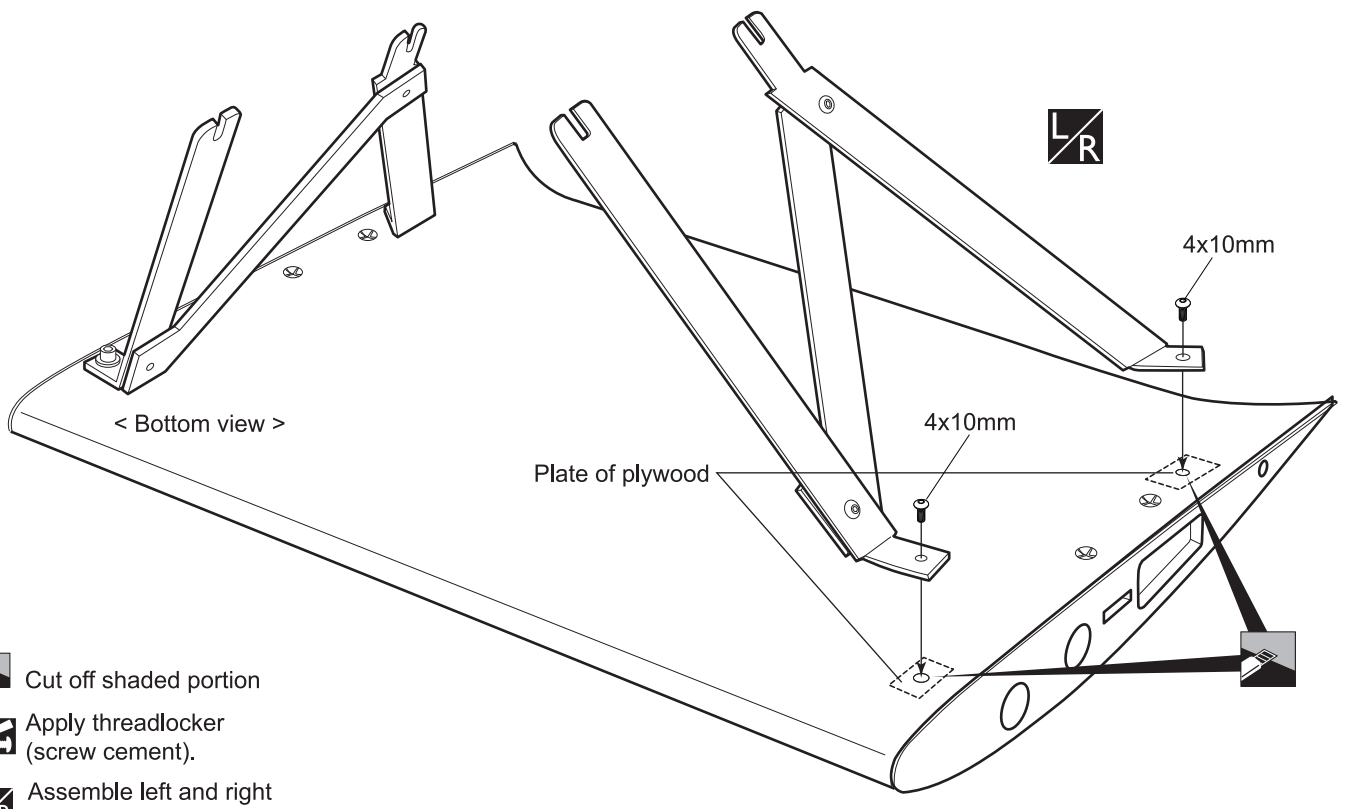
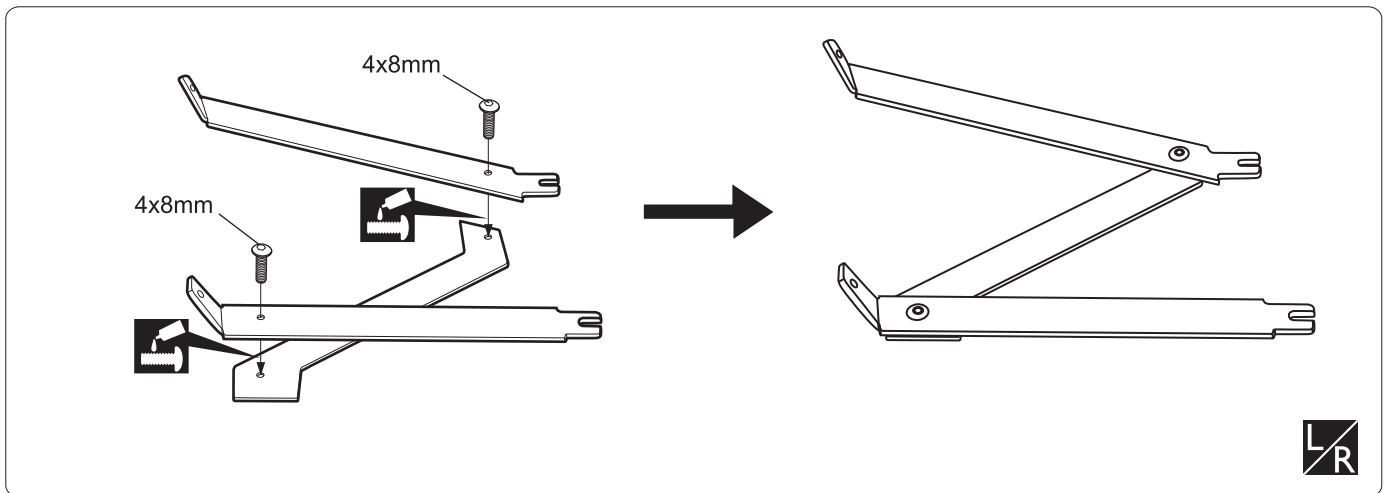
 Assemble left and right sides the same way.

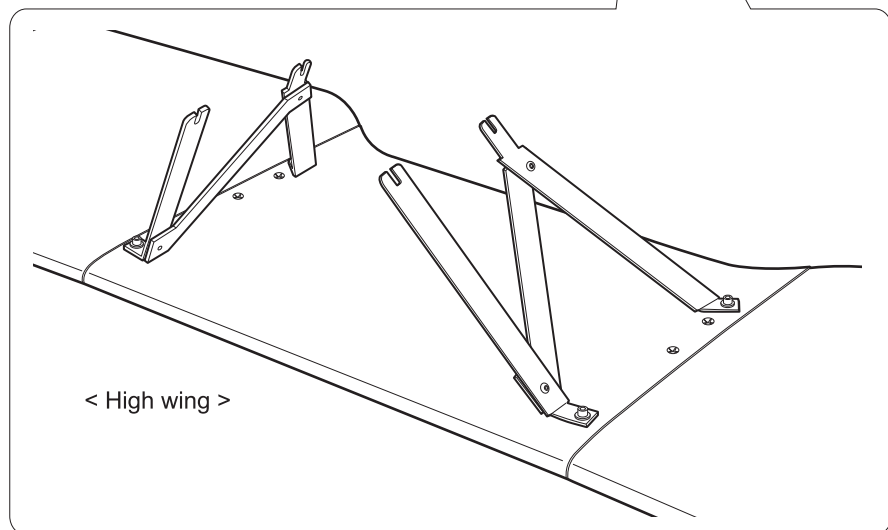
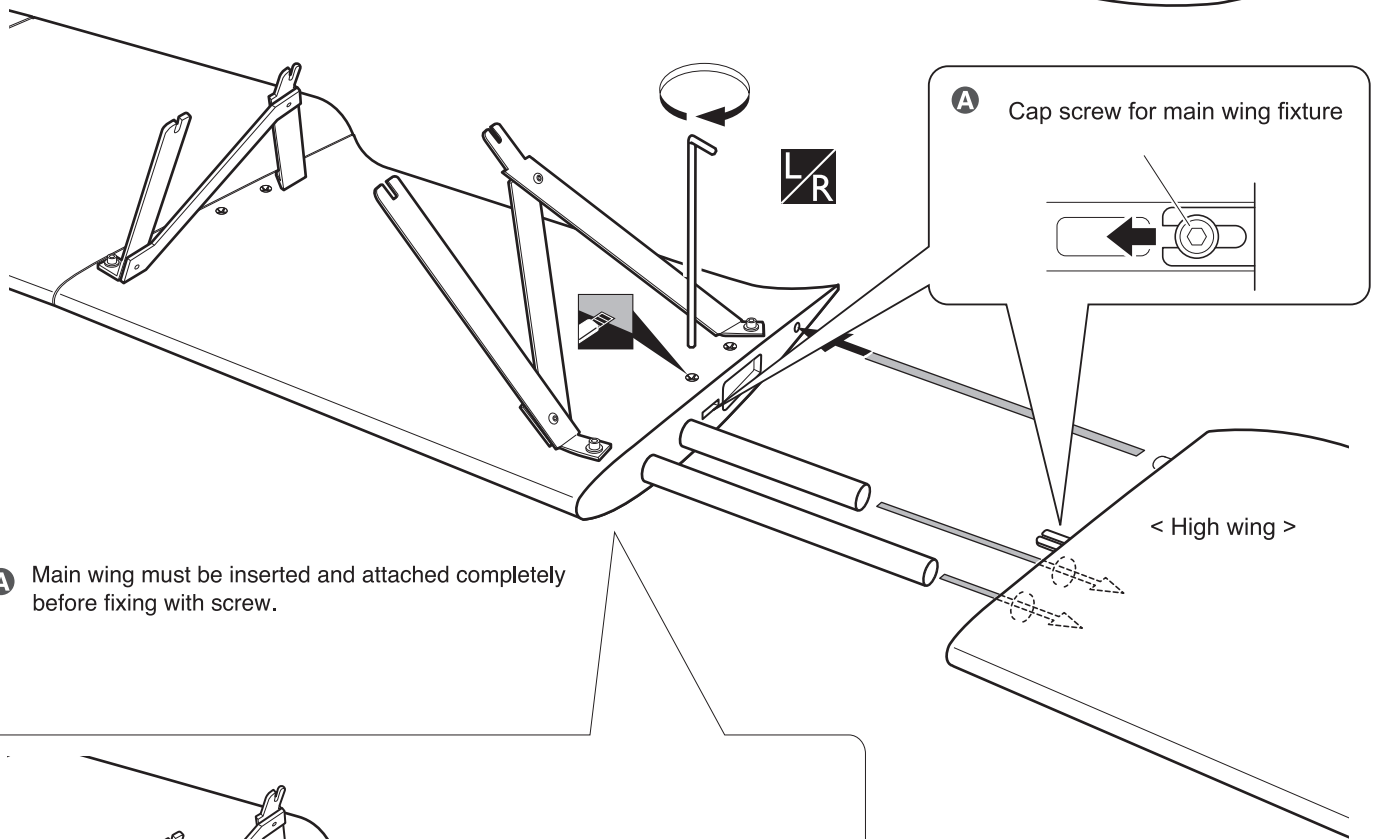
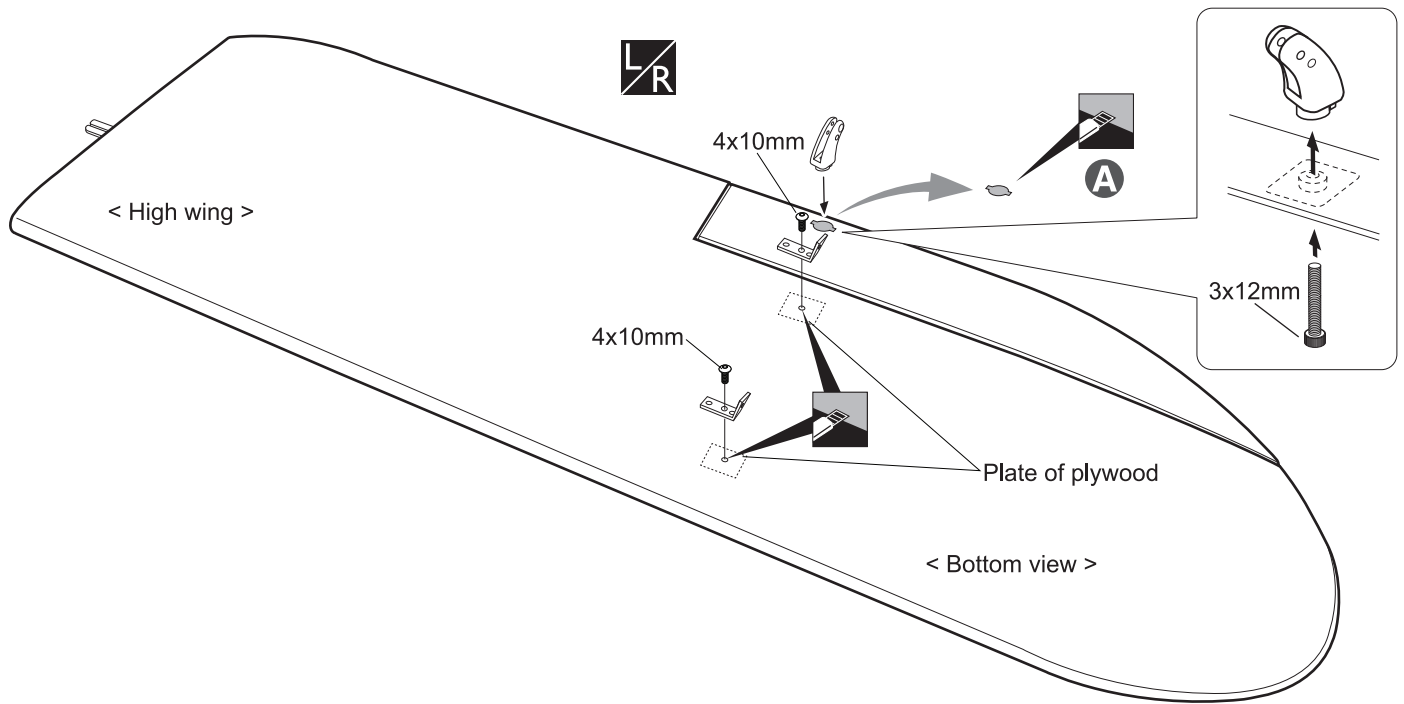
SECURE THE HIGH WING TO THE FUSELAGE






4 x 8mm Button Screw	4
4 x 10mm Button Screw	8
	4
	4
	4

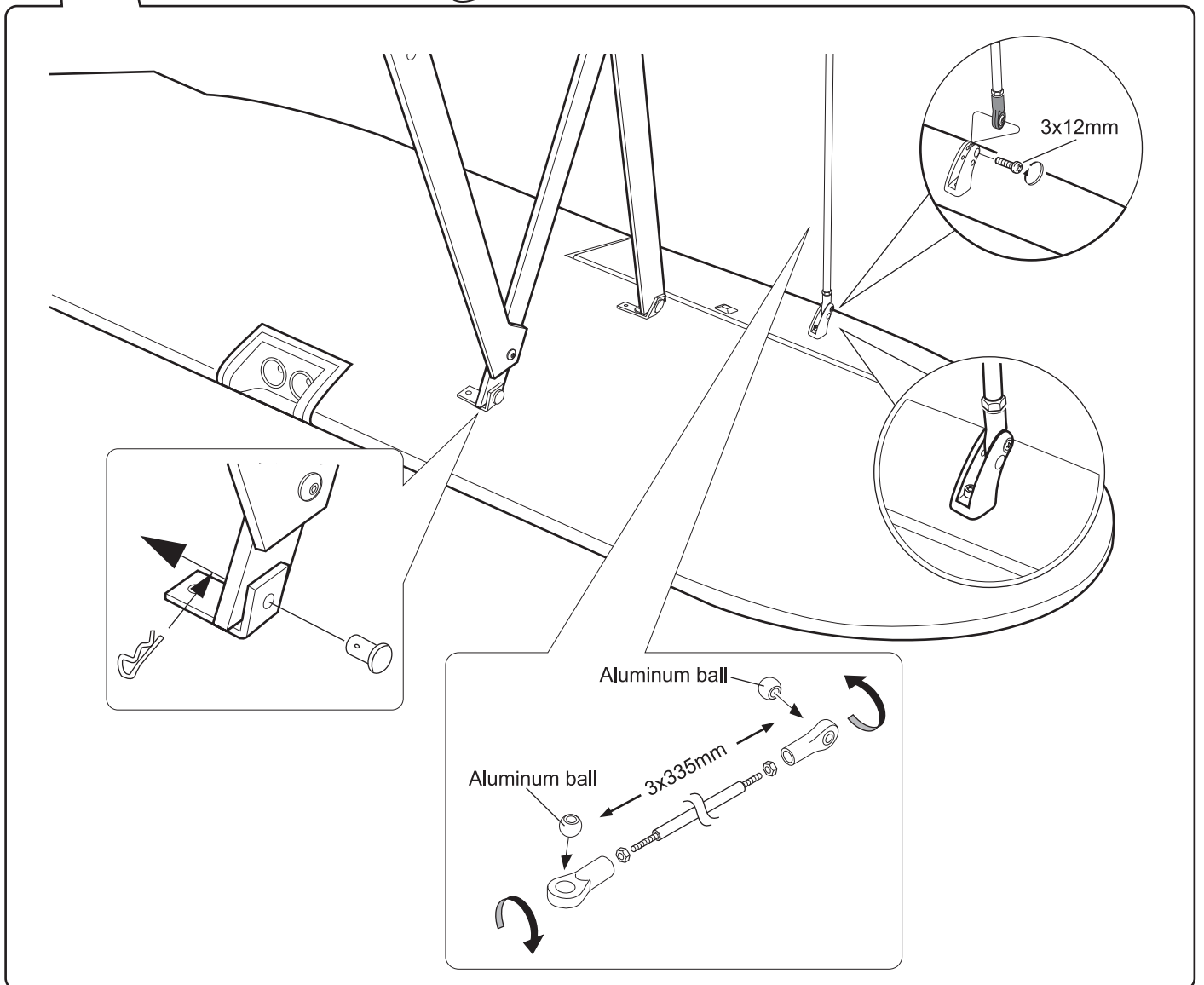
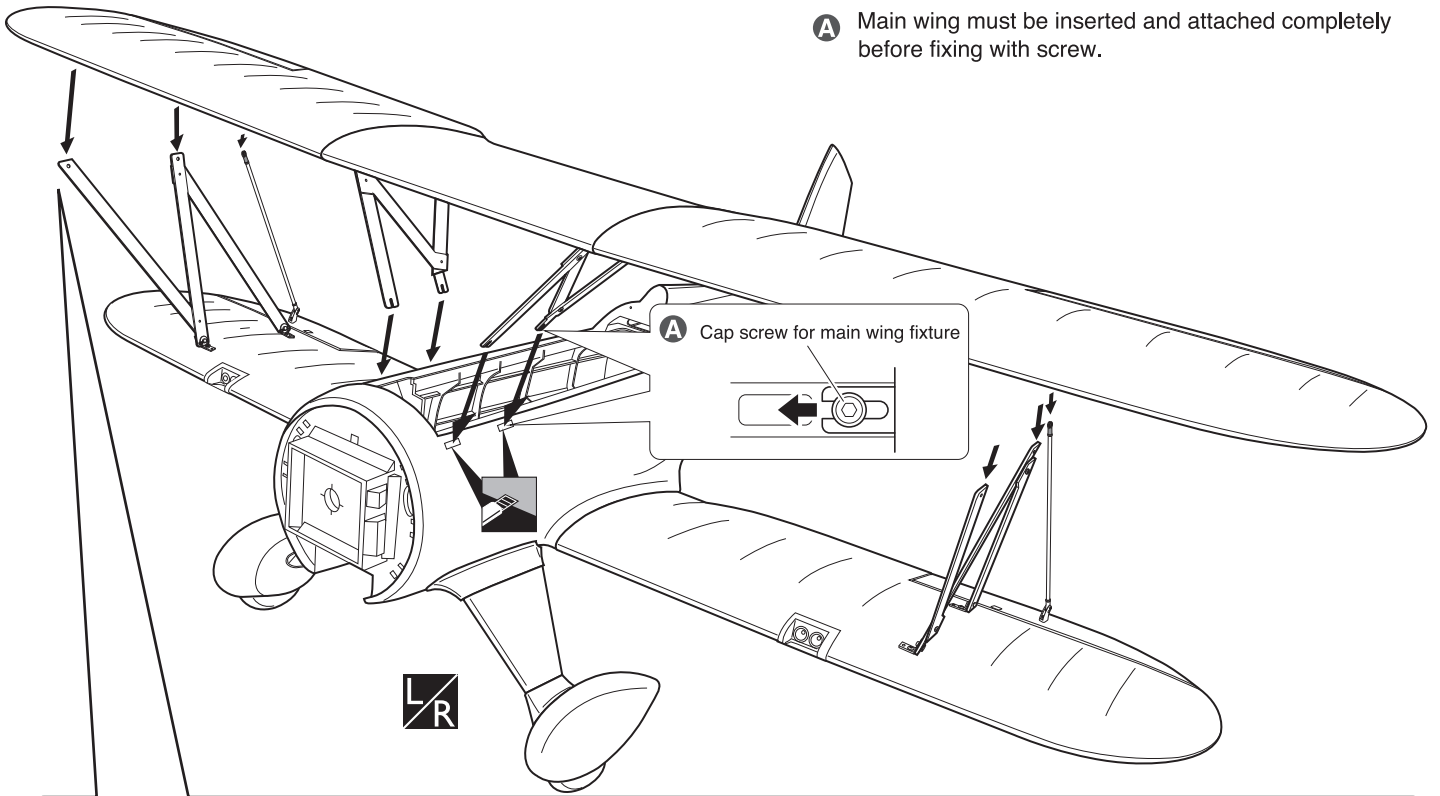
Aluminum ball	2
	2
3 x 12mm Screw	2
	2
	2
3 x 12mm Cap Screw	2







-  Apply instant glue (CA glue, super glue).
-  Cut off shaded portion
-  Assemble left and right sides the same way.

A Main wing must be inserted and attached completely before fixing with screw.



 Cut off shaded portion
 Assemble left and right sides the same way.

HORIZONTAL STABILIZER INSTALLATION

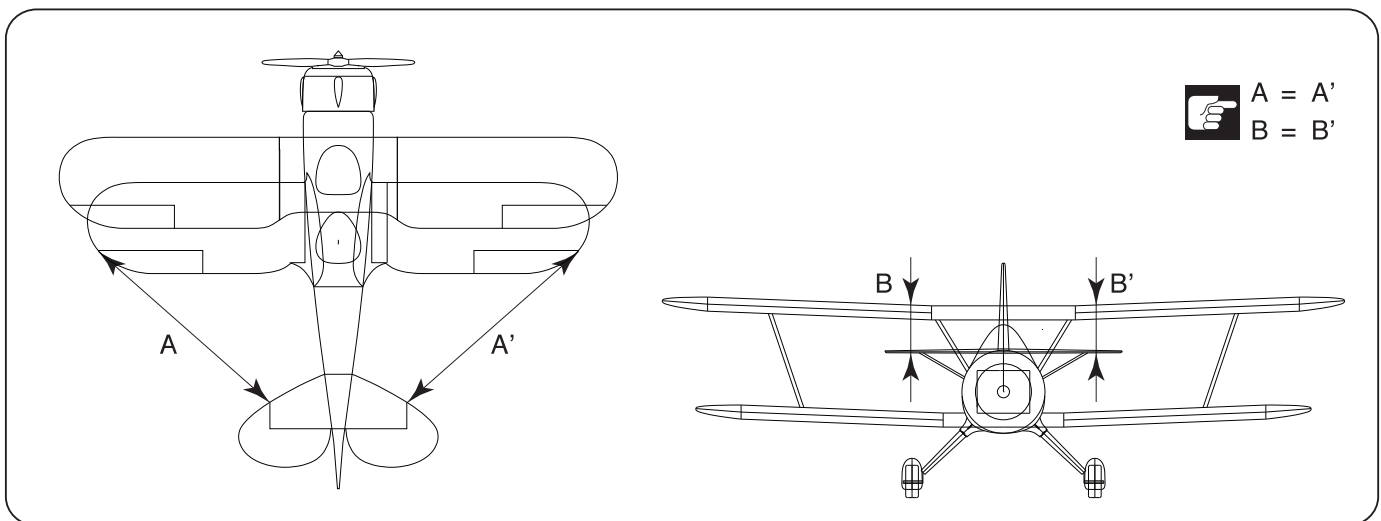
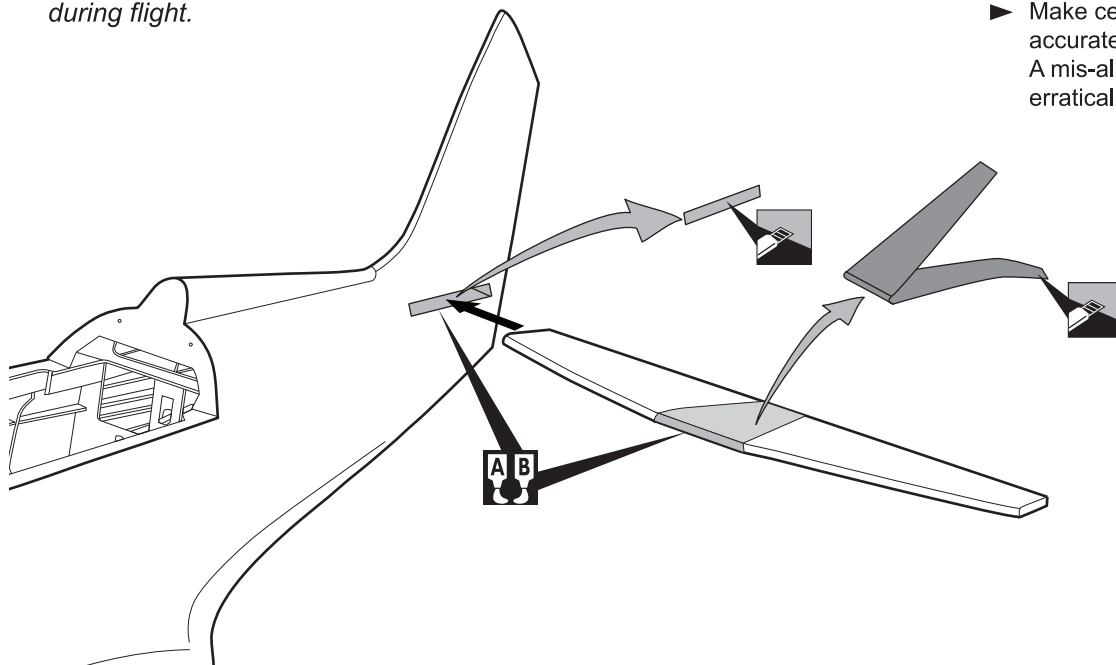
1. Using a modeling knife, cut away the covering from the fuselage for the stabilizer and remove it.
2. Draw a center line onto the horizontal stabilizer.
3. Check the fit of the horizontal stabilizer in its slot. Make sure the horizontal stabilizer is square and centered to the fuselage by taking measurements, but don't glue anything yet.
4. With the horizontal stabilizer correctly aligned, mark the shape of the fuselage on the top and bottom of the tail plane using a water soluble / non-permanent felt-tip pen.
5. Remove the stabilizer. Using the lines you just drew as a guide, carefully remove the covering from between them using a modeling knife.

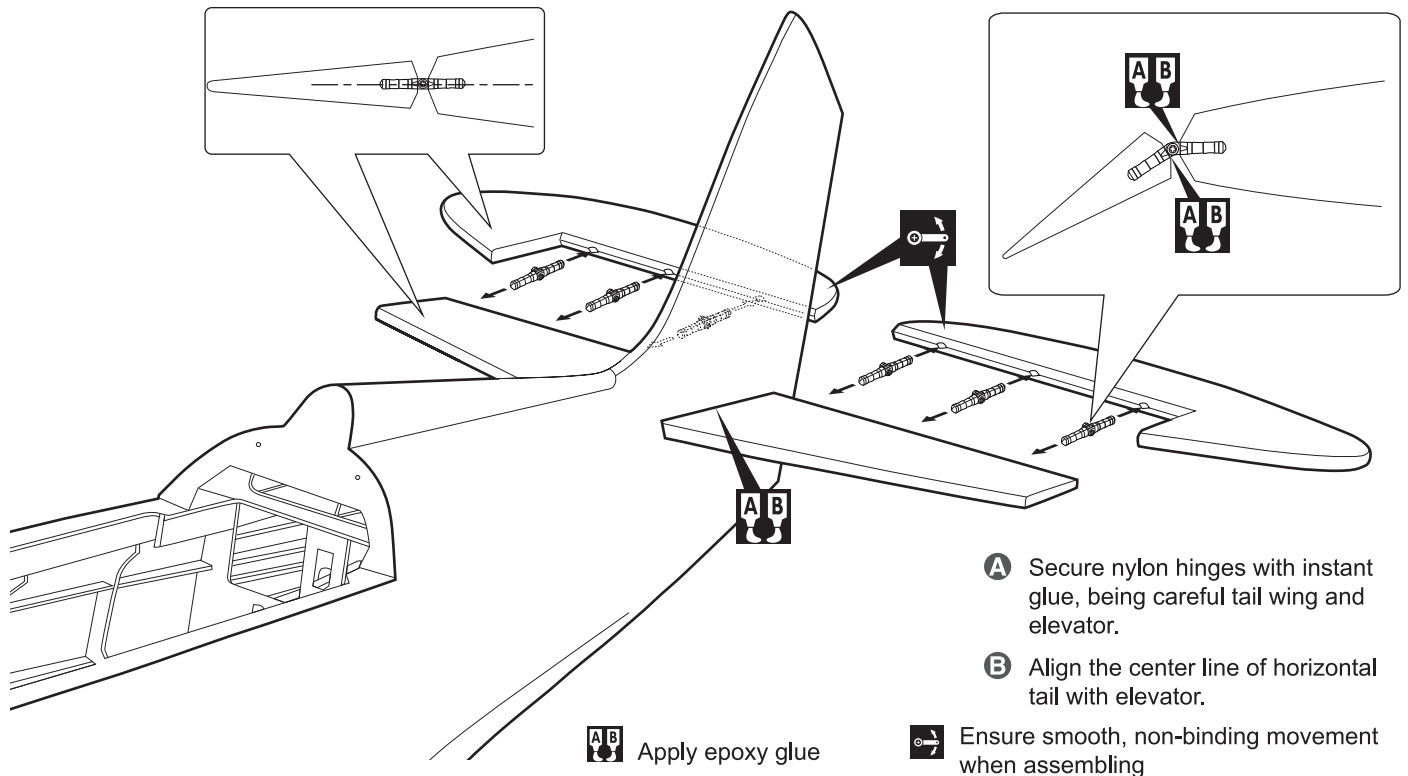
! When cutting through the covering to remove it, cut with only enough pressure to only cut through the covering it's self. Cutting into the balsa structure may weaken it. This could lead to possible failure during flight.

6. When you are sure that everything is aligned correctly, mix up a generous amount of 30 minute epoxy. Apply a thin layer to the top and bottom of the stabilizer mounting area and to the stabilizer mounting platform sides in the fuselage. Slide the stabilizer in place and re-align. Double check all of your measurements one more time before the epoxy cures. Remove any excess epoxy using a paper towel and rubbing alcohol and hold the stabilizer in place with T-pins or masking tape.
7. After the epoxy has fully cured, remove the masking tape or T-pins used to hold the stabilizer in place and carefully inspect the glue joints. Use more epoxy to fill in any gaps that were not filled previously and clean up the excess using a paper towel and rubbing alcohol.
8. Installing the elevator using C.A glue as installing the aileron.

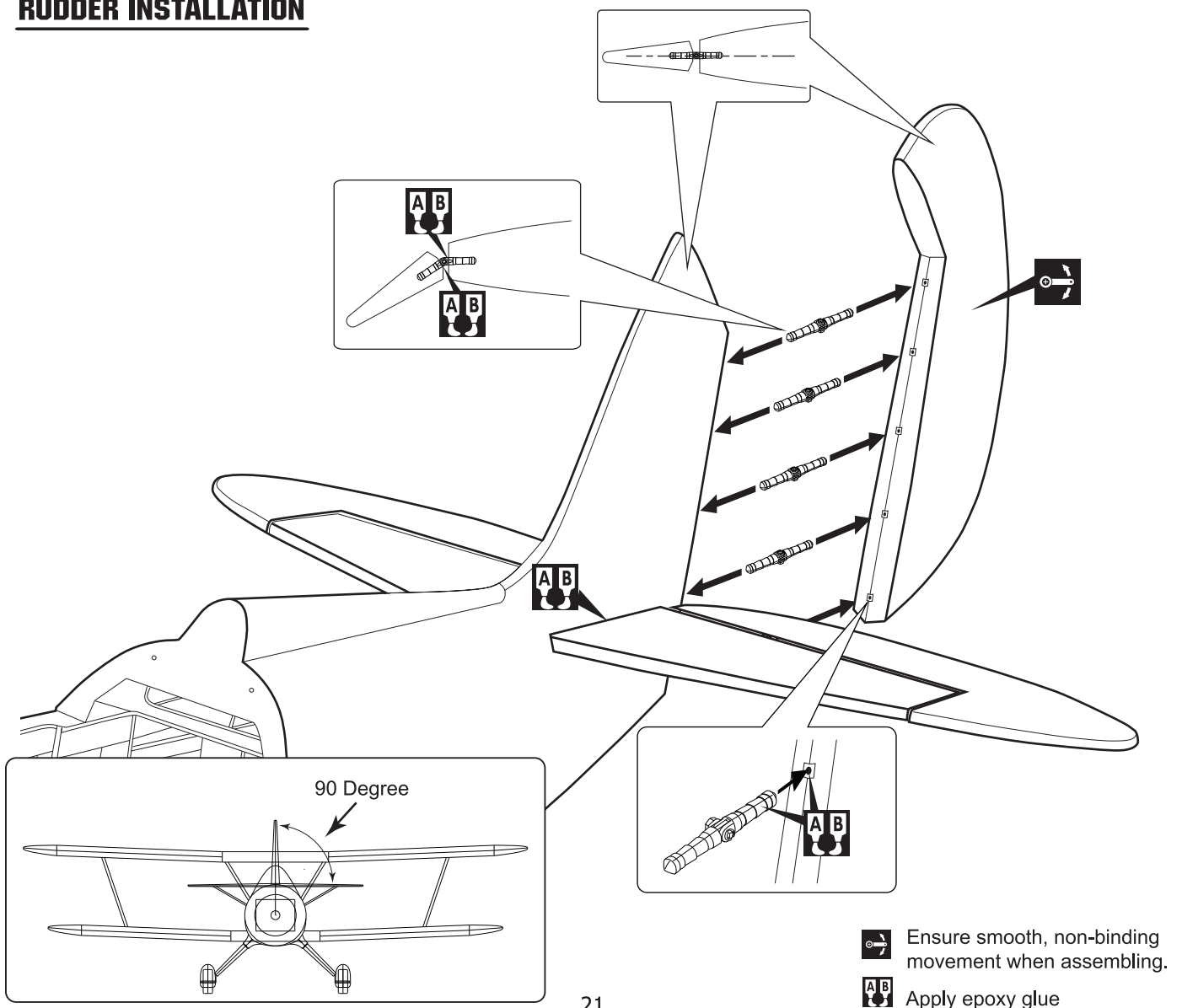


► Make certain plane is aligned accurately per the diagram. A mis-aligned plane can fly erratically and cause accidents.





RUDDER INSTALLATION




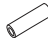



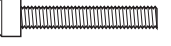






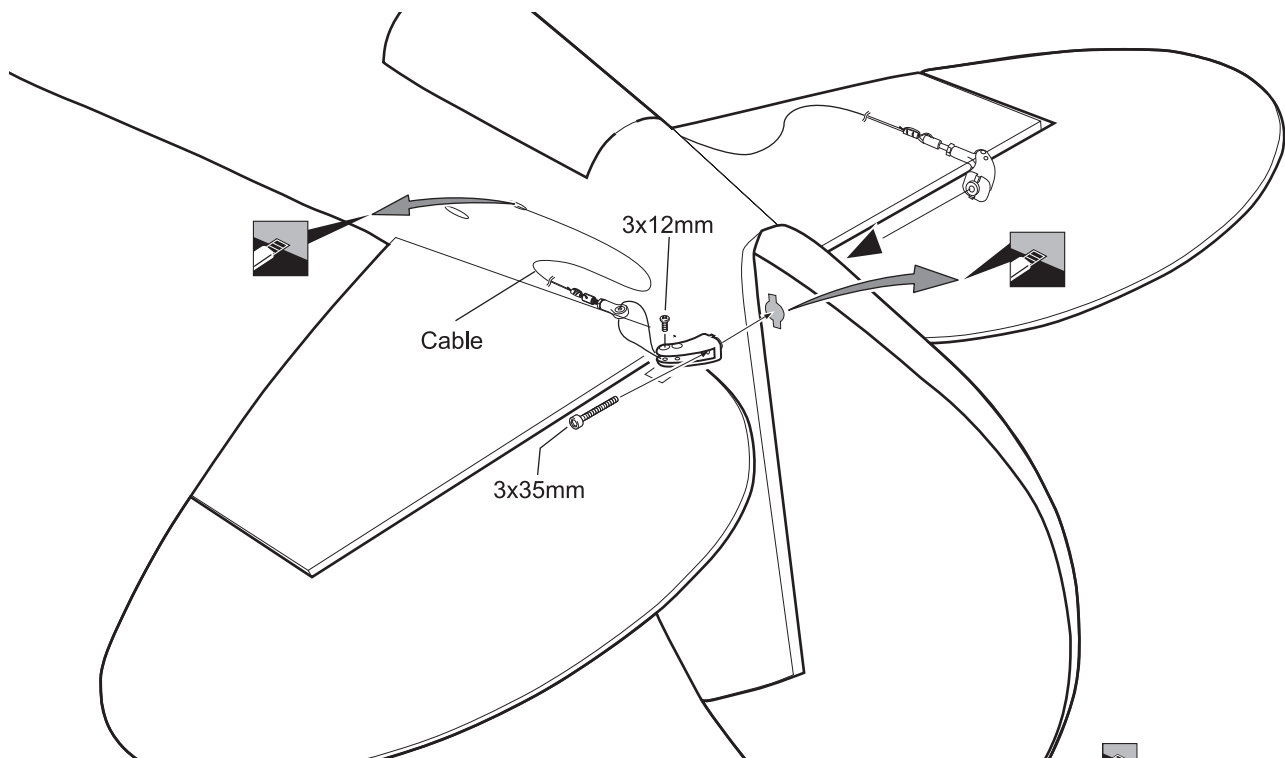
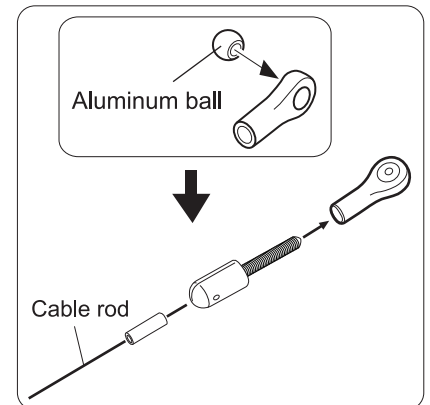
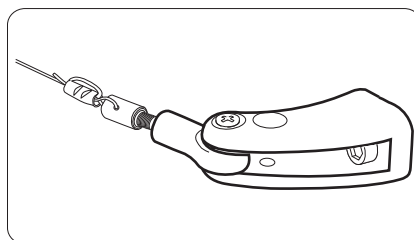
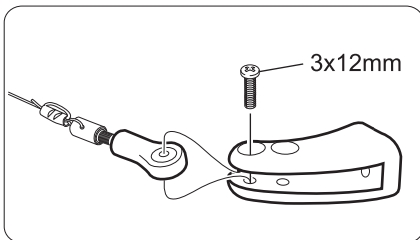
INSTALLING THE RUDDER LINKAGES

The rudder is controlled by two metal cables. Install the rudder linkages and cables as below.

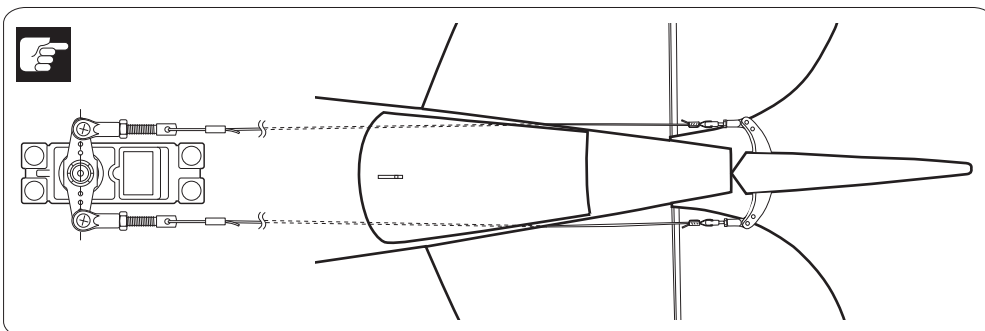
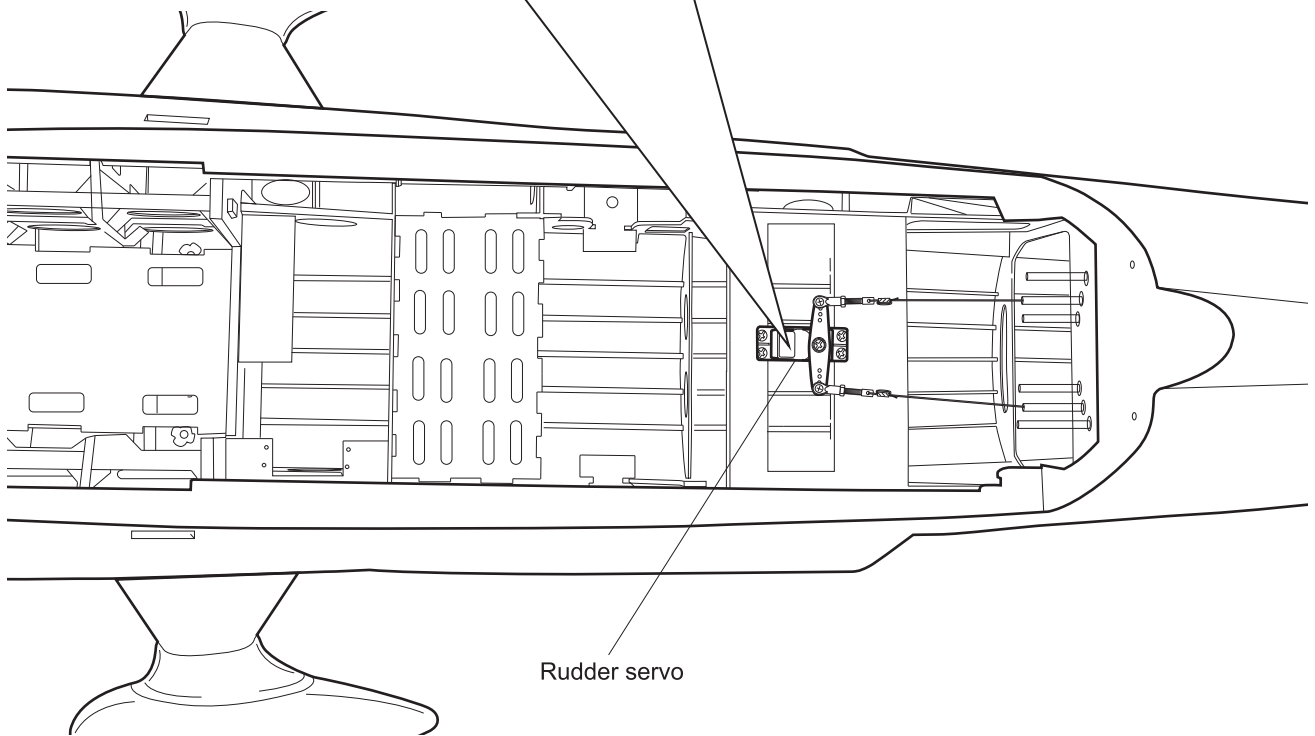
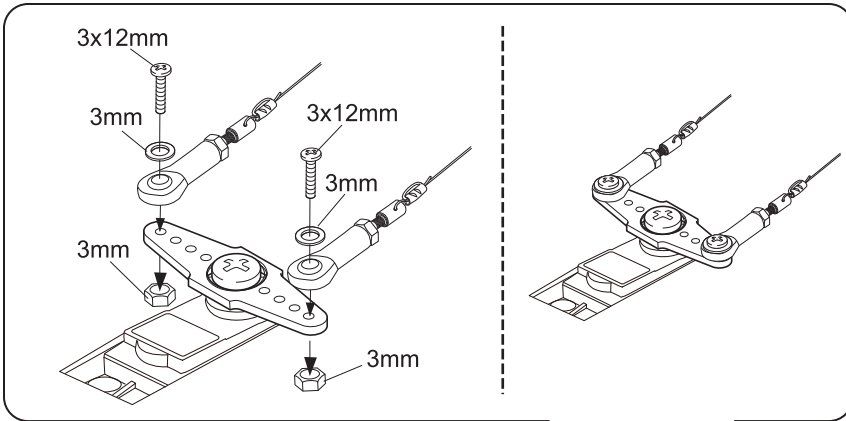
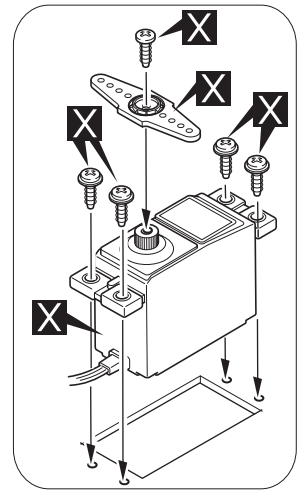
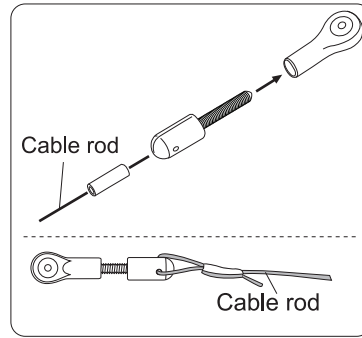
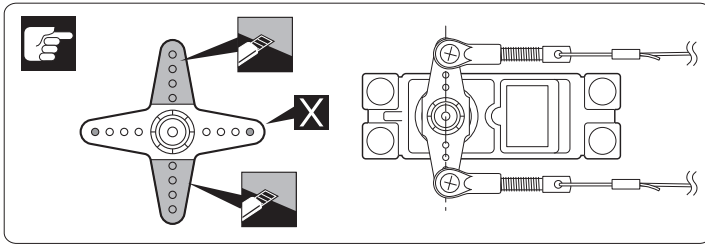
1. Use a hobby knife to remove the covering from the openings for the rudder control cables.
2. The rudder has a block wood plate for mounting the control horn. Two control horn in positioned on both side rudder (left and right).
3. Install the control horn to the rudder.
4. Slide a crimp onto the cable, then pass the cable through the threaded cable end. Pass the cable back into the crimp and use crimping pliers to secure the crimp to the cable. Guide the cable into the fuselage to the position for the rudder servo.
5. Thread the metal connector to the link ball.
6. Center the rudder servo using the radio and install the servo arm. Attach the metal clevis to the rudder servo arm.
7. Slide a crimp onto the cable, then pass the cable through the threaded cable end. Pass the cable back into the crimp and use crimping pliers to secure the crimp to the cable.
8. Thread the metal connector to the metal clevis.
9. Attach the clevis to the rudder servo. There should be light tension on each of the wires when installed properly.

! *Note: Remember use thread locking compound to secure.*

3mm Washer	2		2
3mm Nylon Nut	2	1000mm Cable rod	
3x12mm Screw	2		2
Aluminum ball	2	Locknut	2
	2		2
	2	3x30mm Connector	2
Locknut	2		2
	2	3 x 35mm Cap Screw	1
3x30mm Connector	2		1
	2	Aluminum ball	2
			2
			2
		3x12mm Screw	2
			2



 Cut off shaded portion

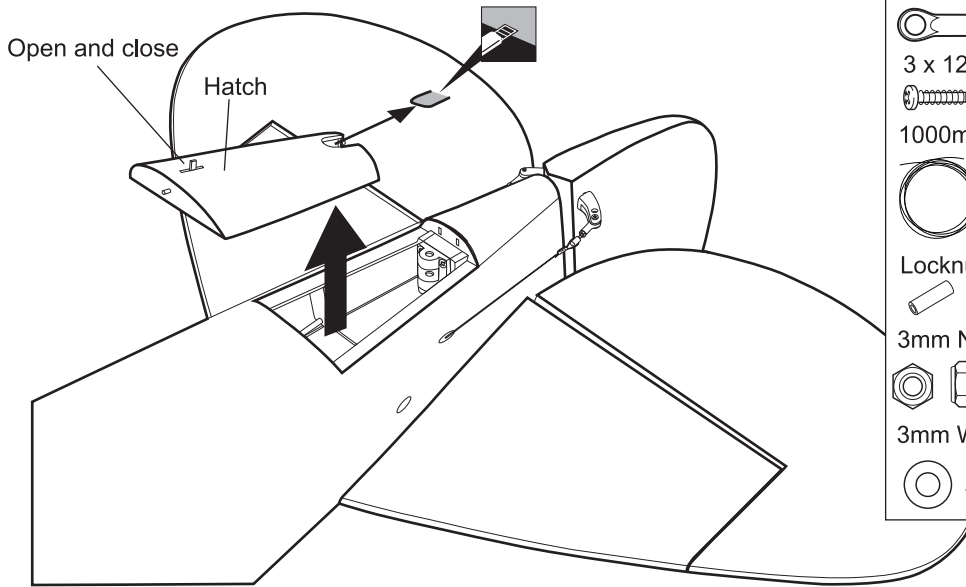


Must be purchased separately!

Cut off shaded portion

Pay close attention here

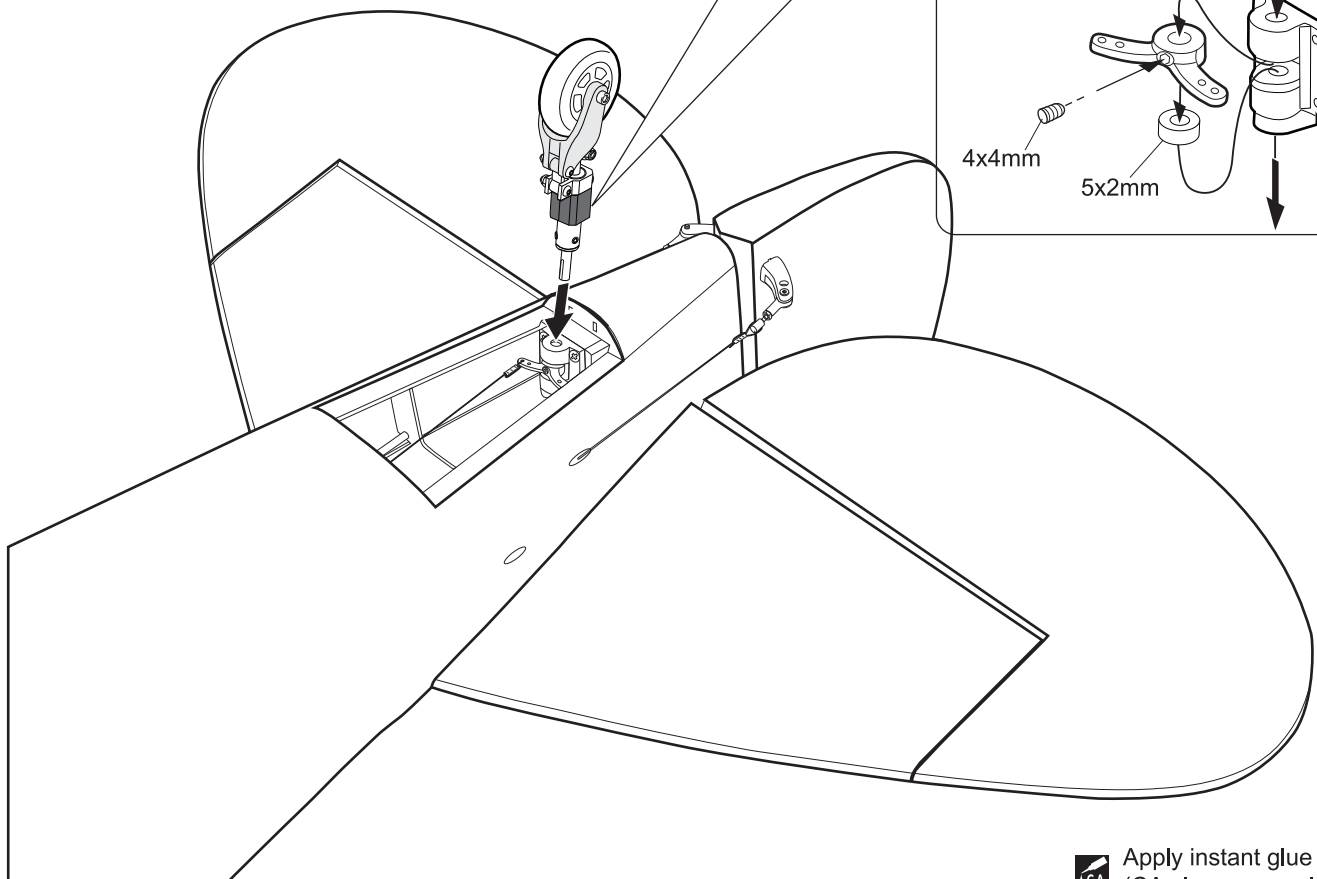
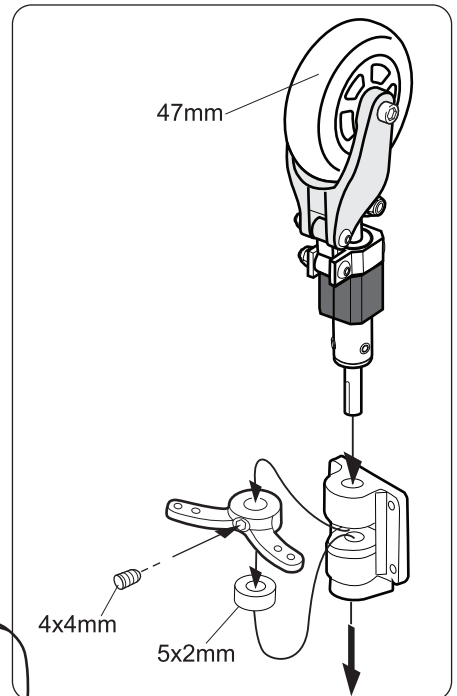
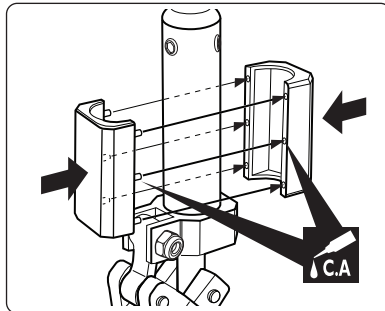
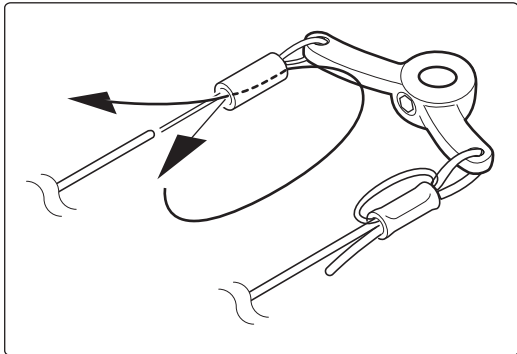
INSTALLING THE TAIL WHEEL



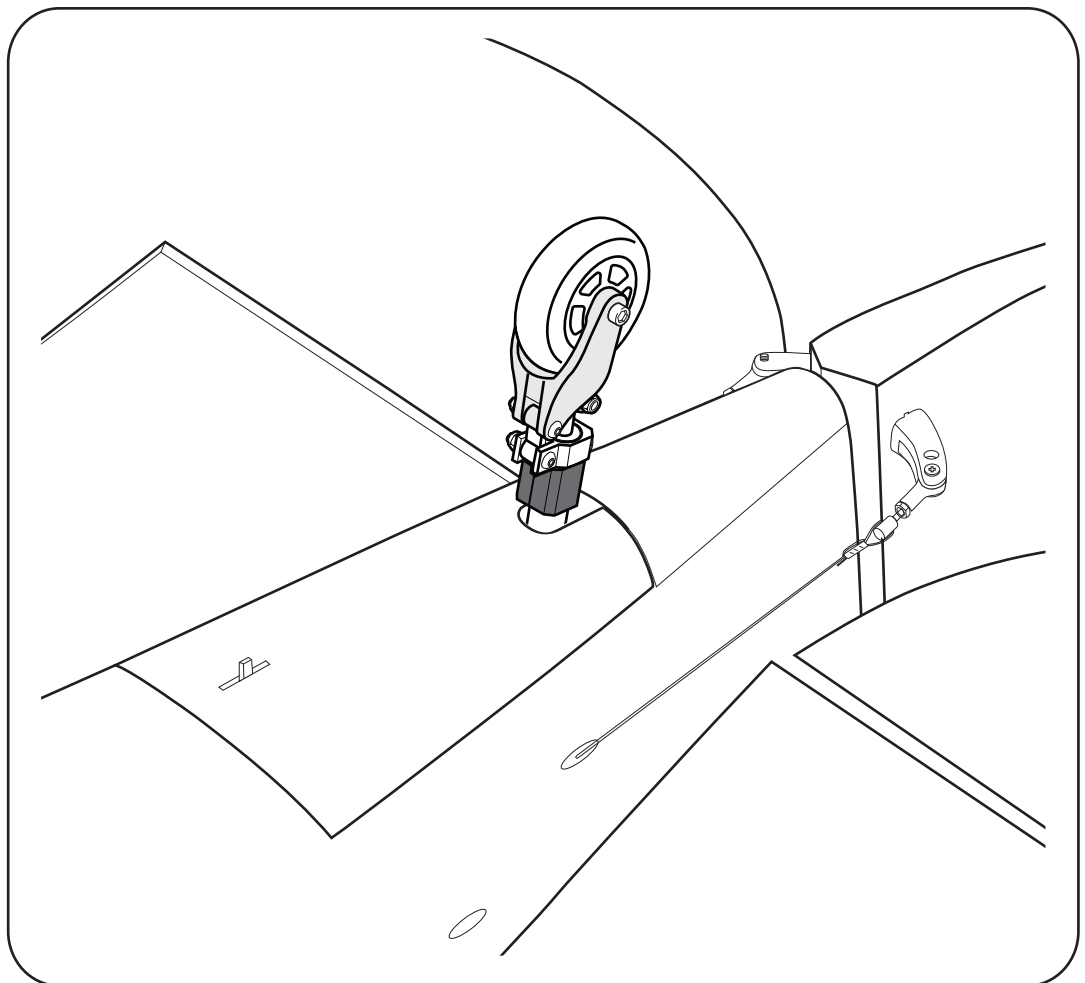
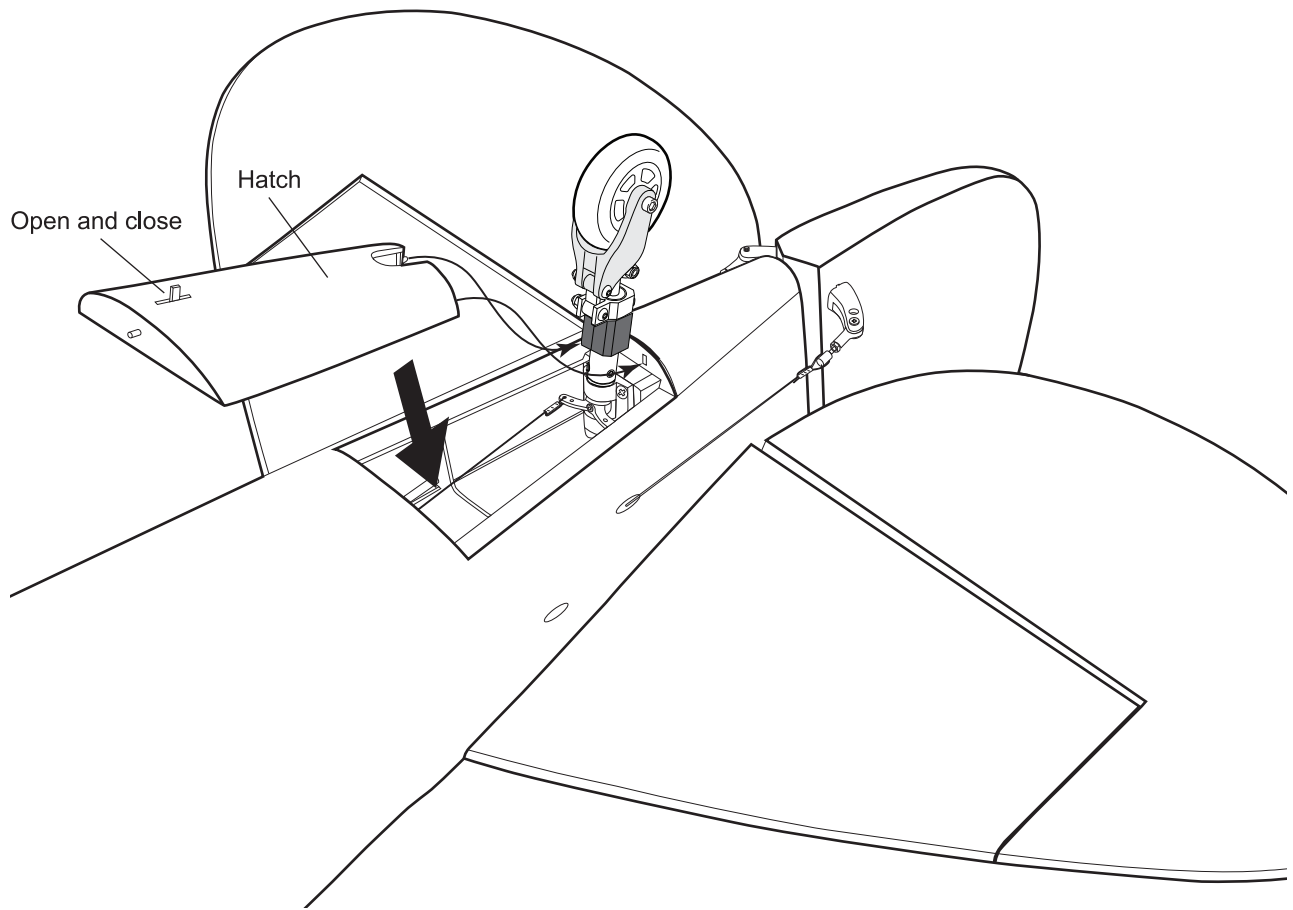
- Aluminum ball 2
- 2
- 3 x 12mm Screw 2
- 1000mm Cable rod 2
- Locknut 2
- 3mm Nylon Nut 2
- 3mm Washer 2

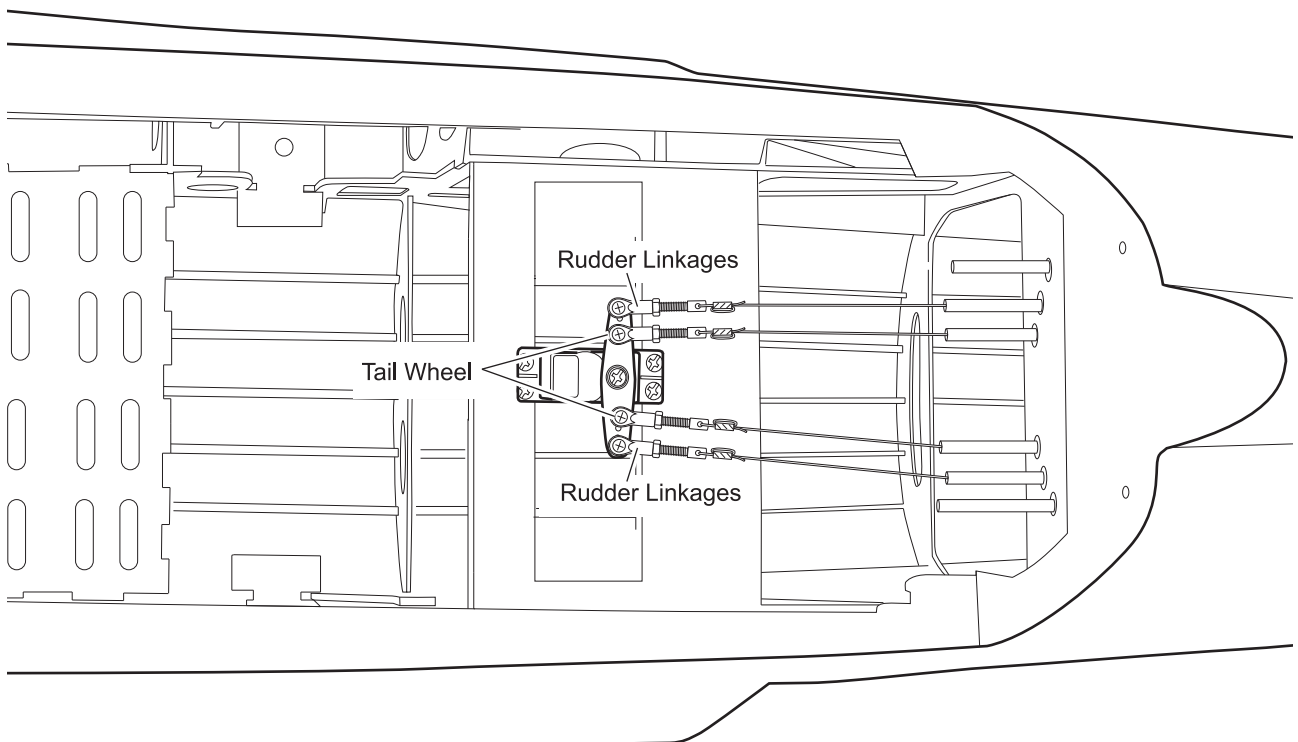
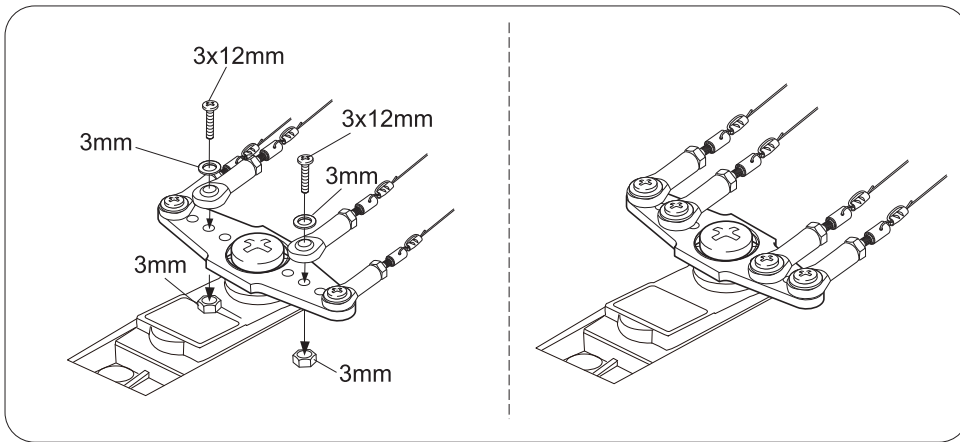
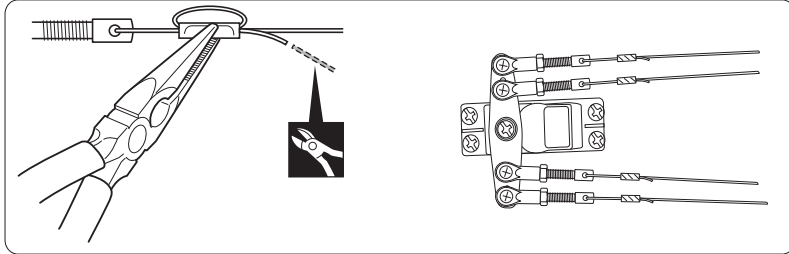
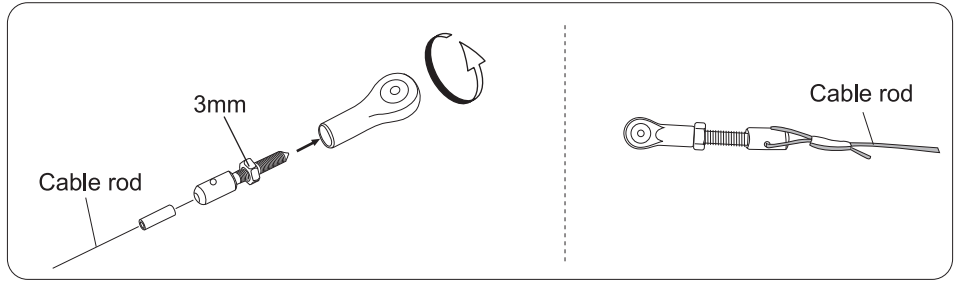
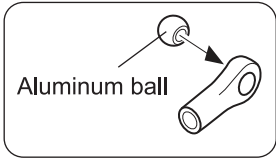
- 3 x 30mm Connector 2
- Locknut 2

- 5 x 2mm Washer 1
- 5 x 40mm Cap Screw 1
- 1
- 4mm Nylon Nut 1



Apply instant glue (CA glue, super glue).
 Cut off shaded portion

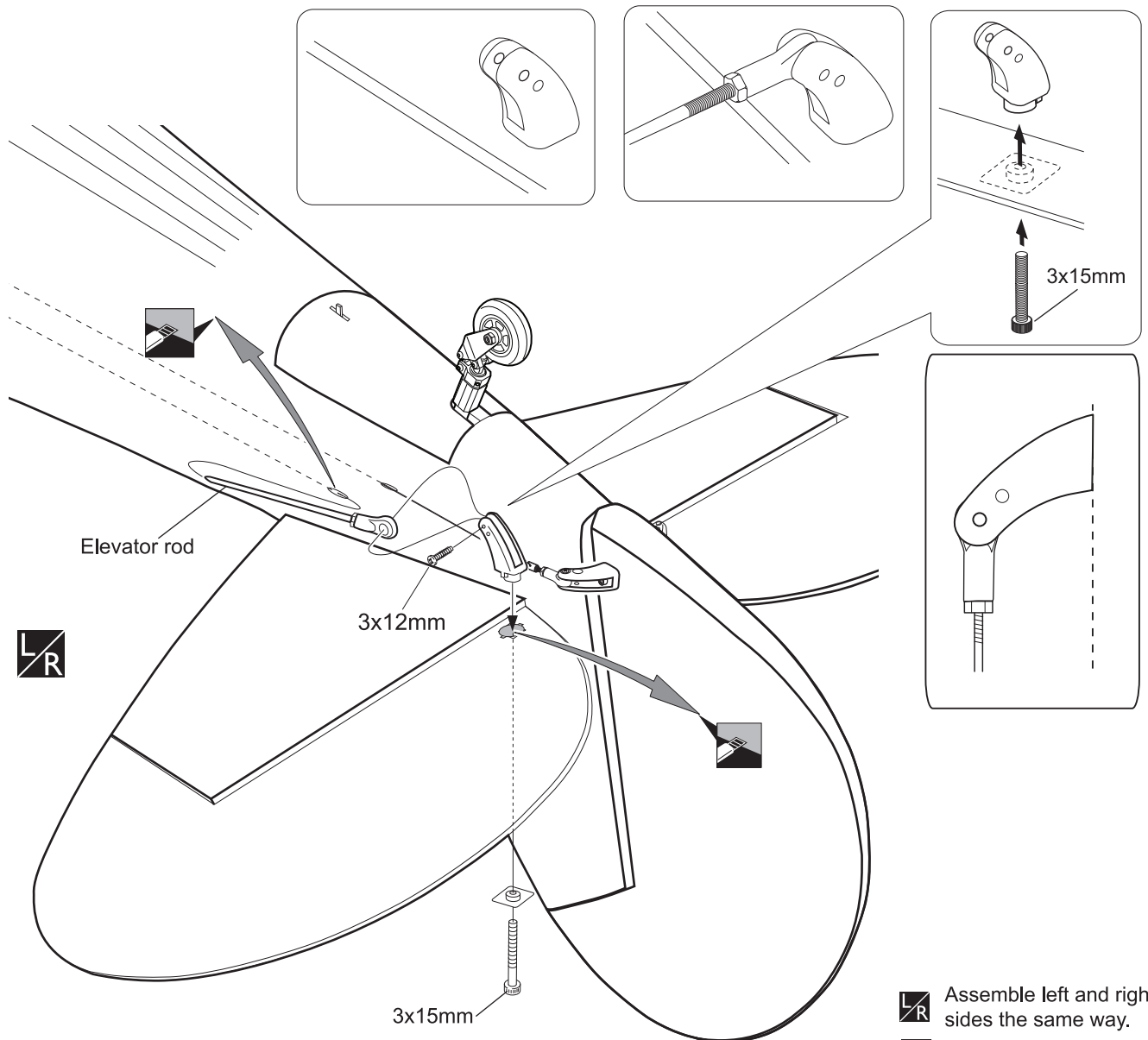
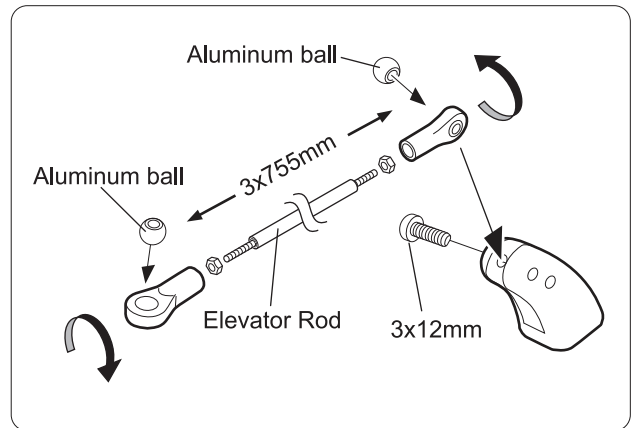




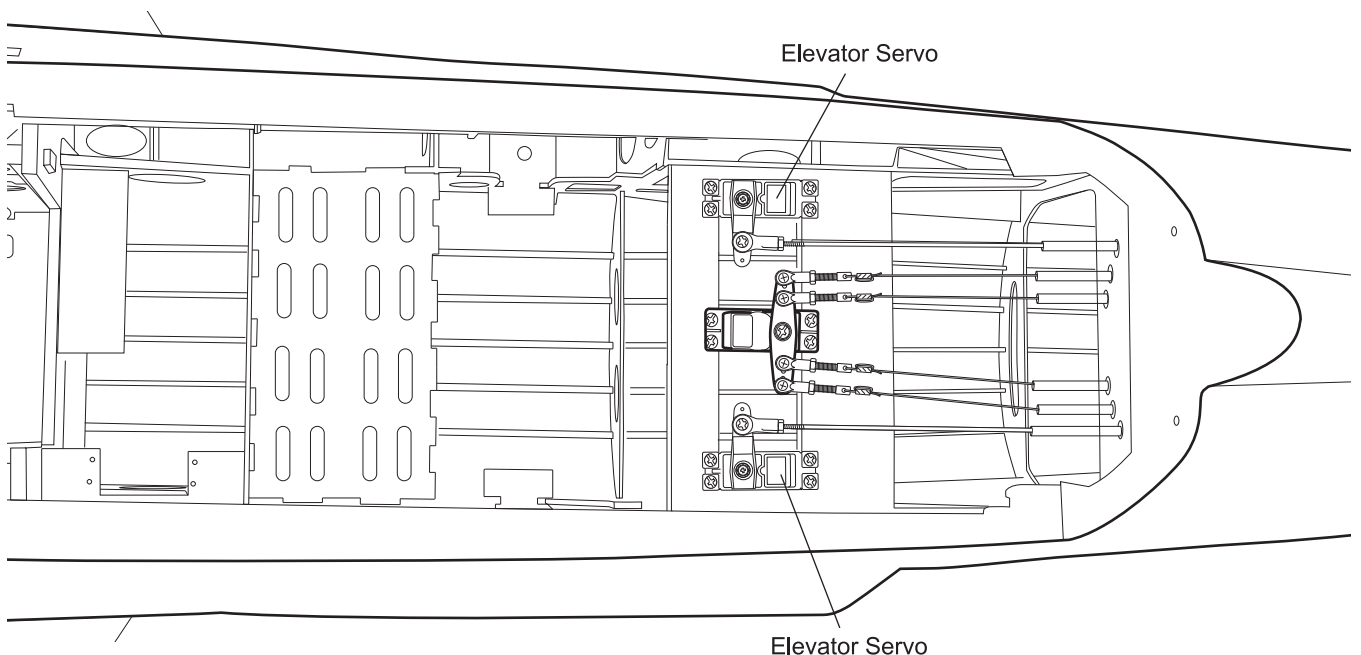
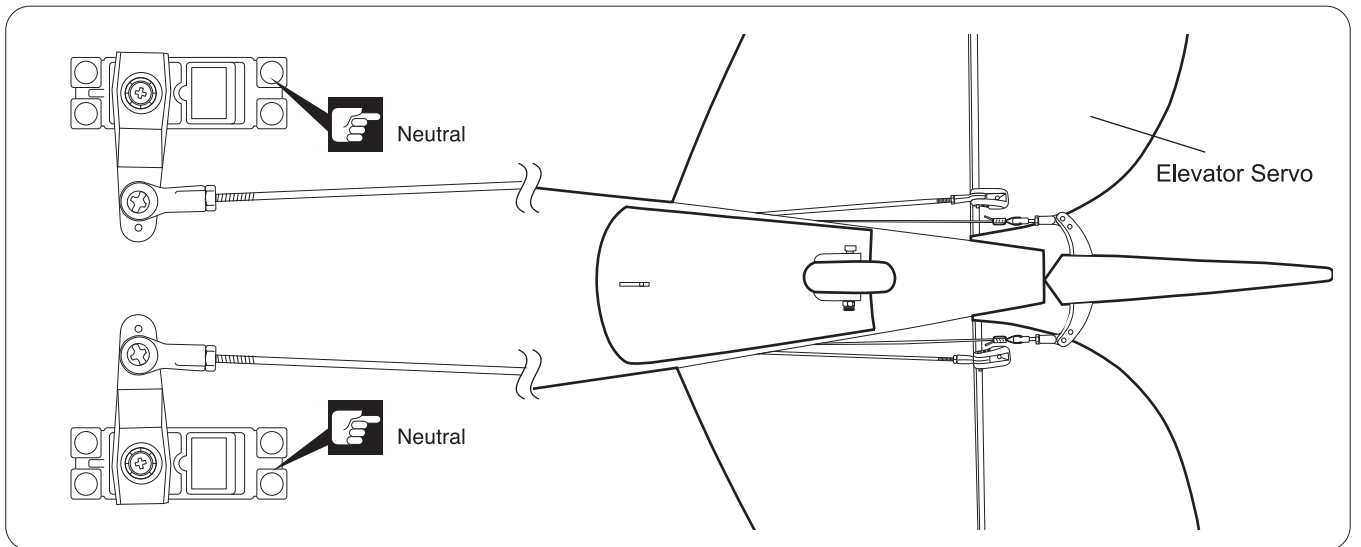
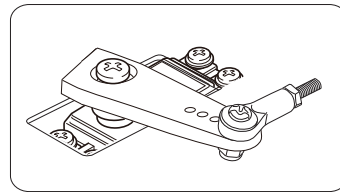
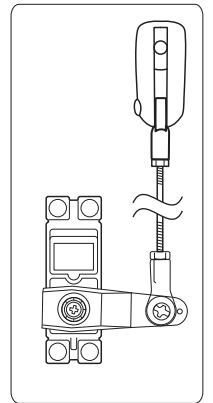
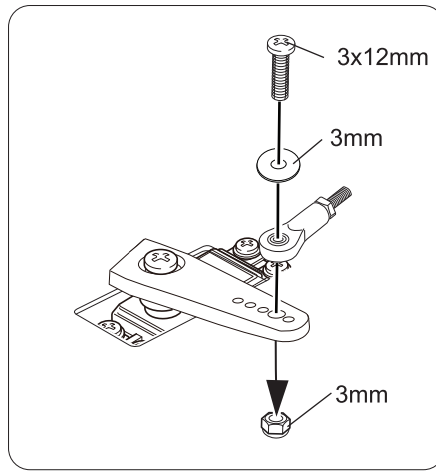
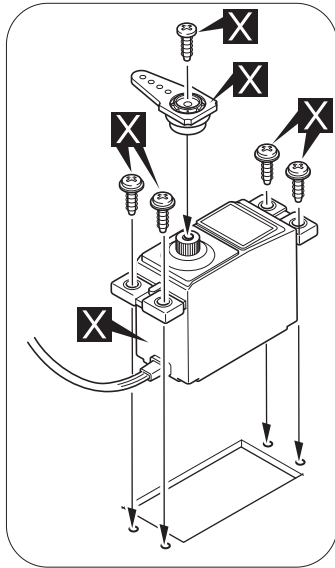
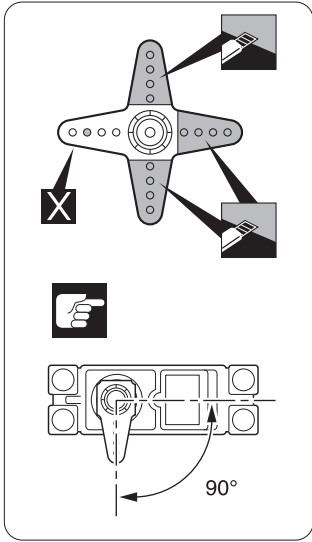
INSTALLING THE ELEVATOR PUSHROD

Aluminum ball	2
	2
3 x 12mm Screw	2
	2
3mm Nylon Nut	2
	2
3mm Washer	2
	2

Aluminum ball	2
	2
3 x 12mm Screw	2
	2
	2
	2
3 x 15mm Cap Screw	2
	2
3 x 755mm Push rod	2
	2



Assemble left and right sides the same way.
 Cut off shaded portion




Cut off shaded portion

Must be purchased separately!

Pay close attention here


INSTALLING THE HORIZONTAL STAB STRUT

3x10mm TP Screw

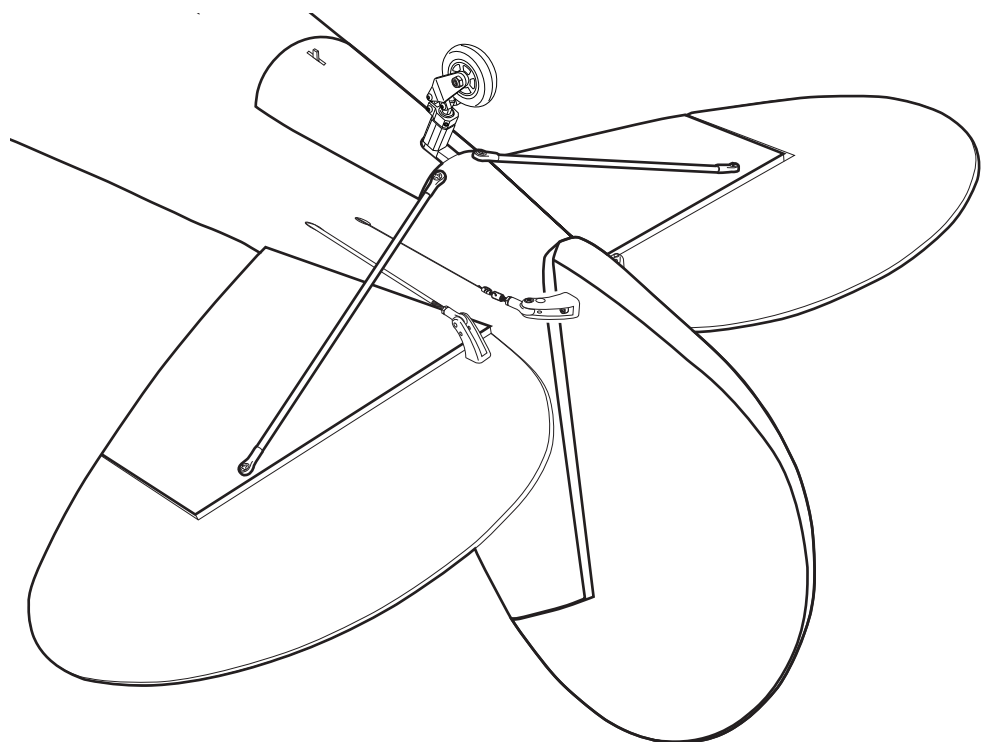
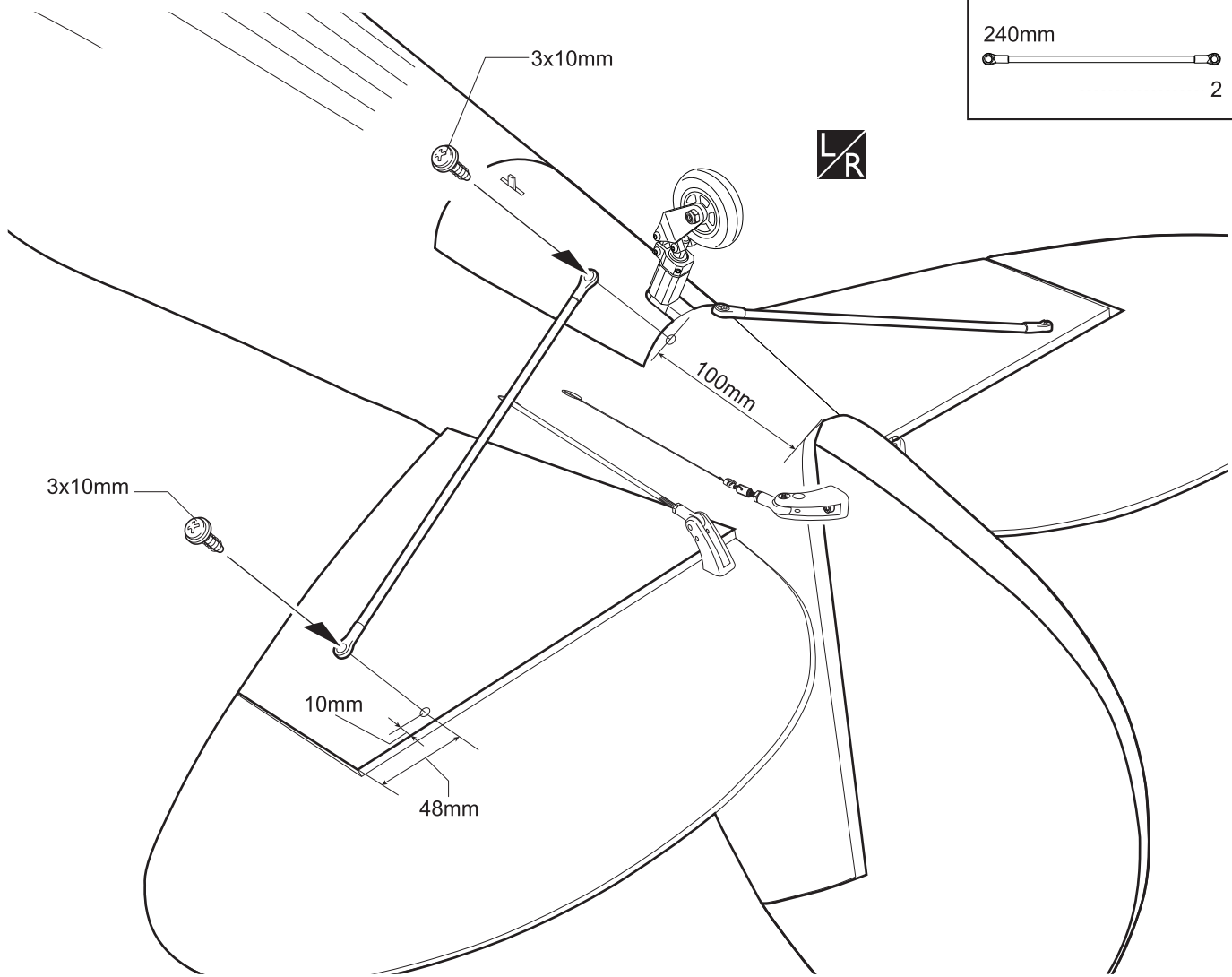



4

240mm



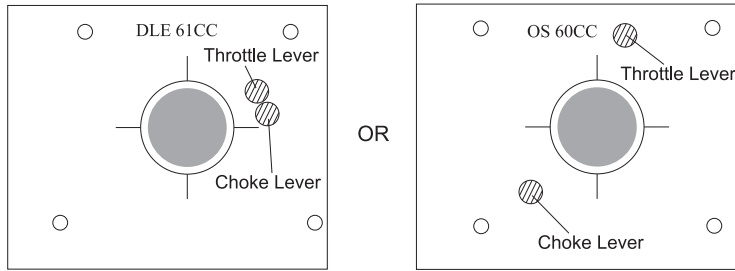
2



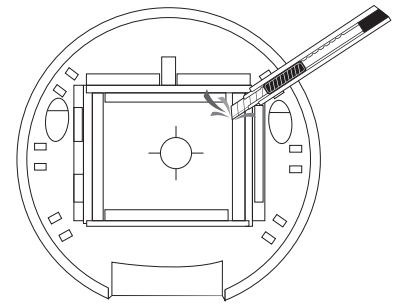
 Assemble left and right sides the same way

INSTALLING THE ENGINE

Using plate of plywood (supplied with the kit) mark the holes onto the fire wall for installing the engine mount for DLE-61CC or OS-GT60.

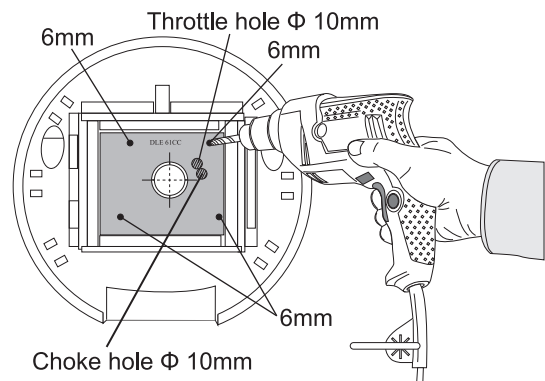
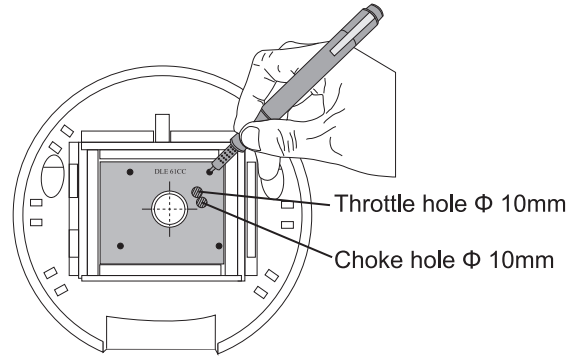
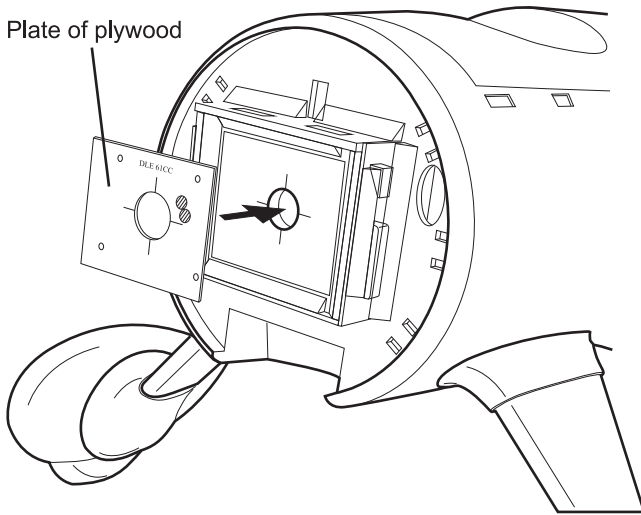


May be you also need to trim some wood from the tri-angle wood for the installation is easy.



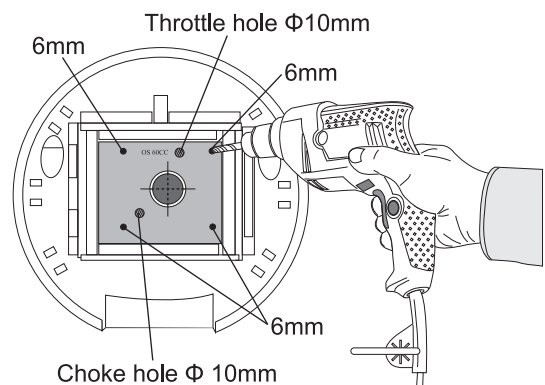
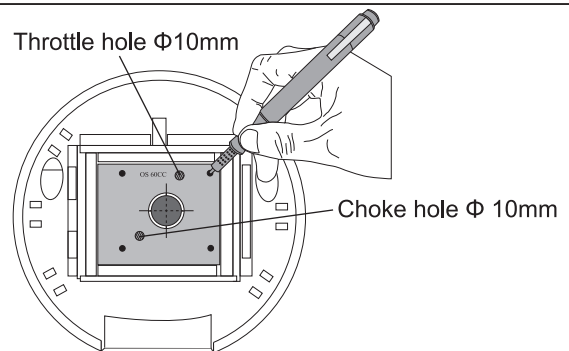
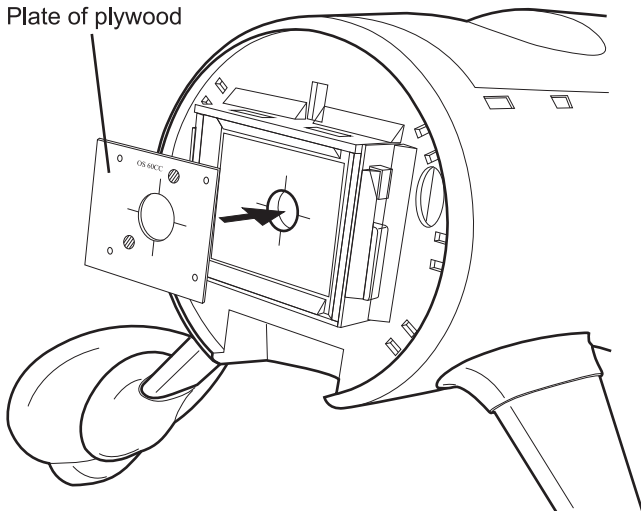
DLE-61CC

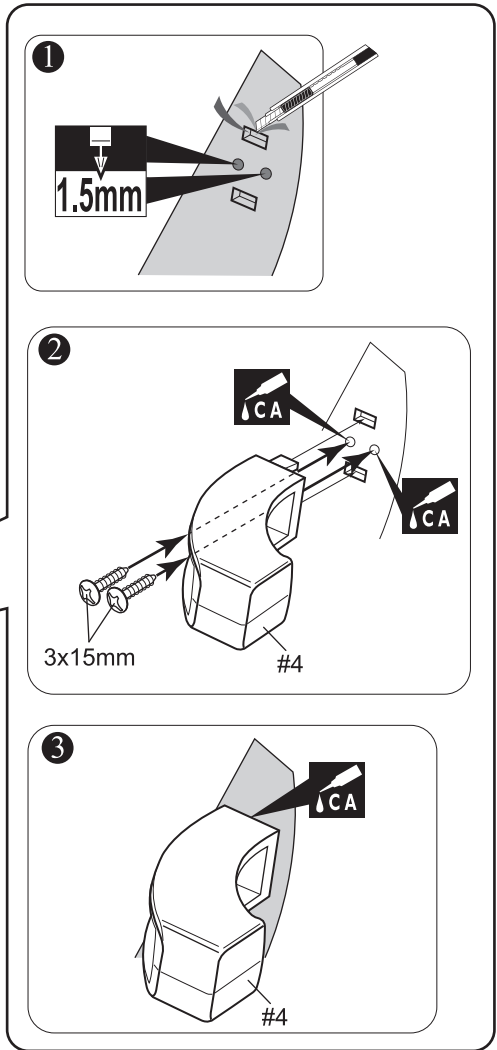
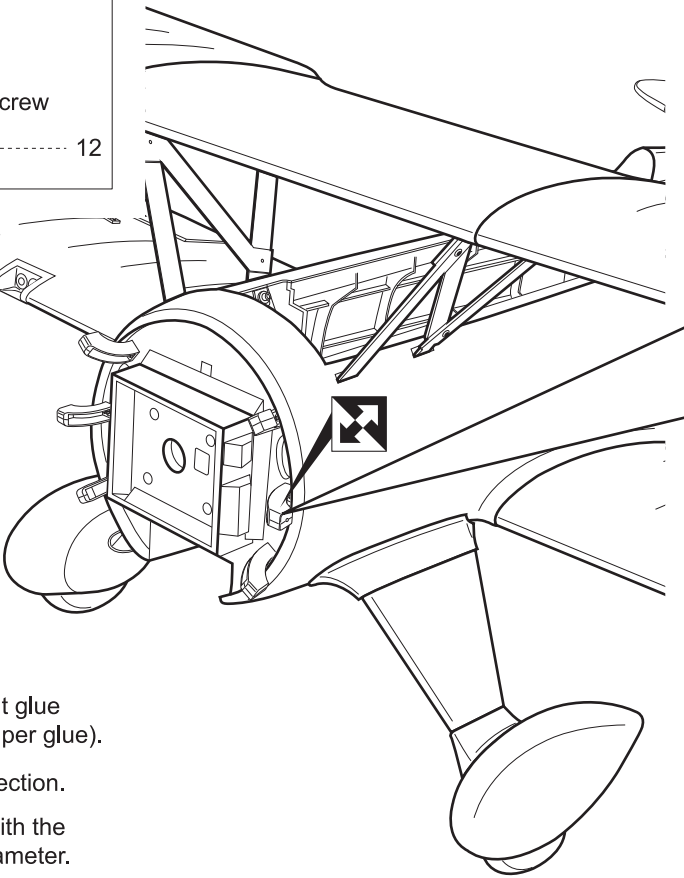
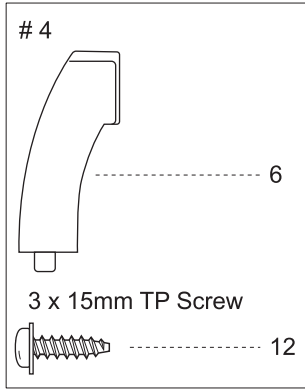
Plate of plywood



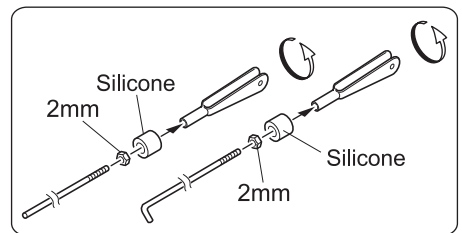
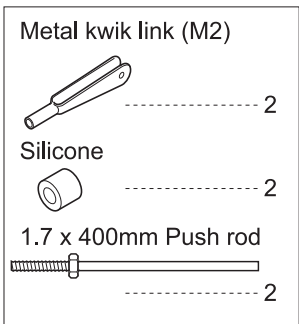
OS-GT60

Plate of plywood

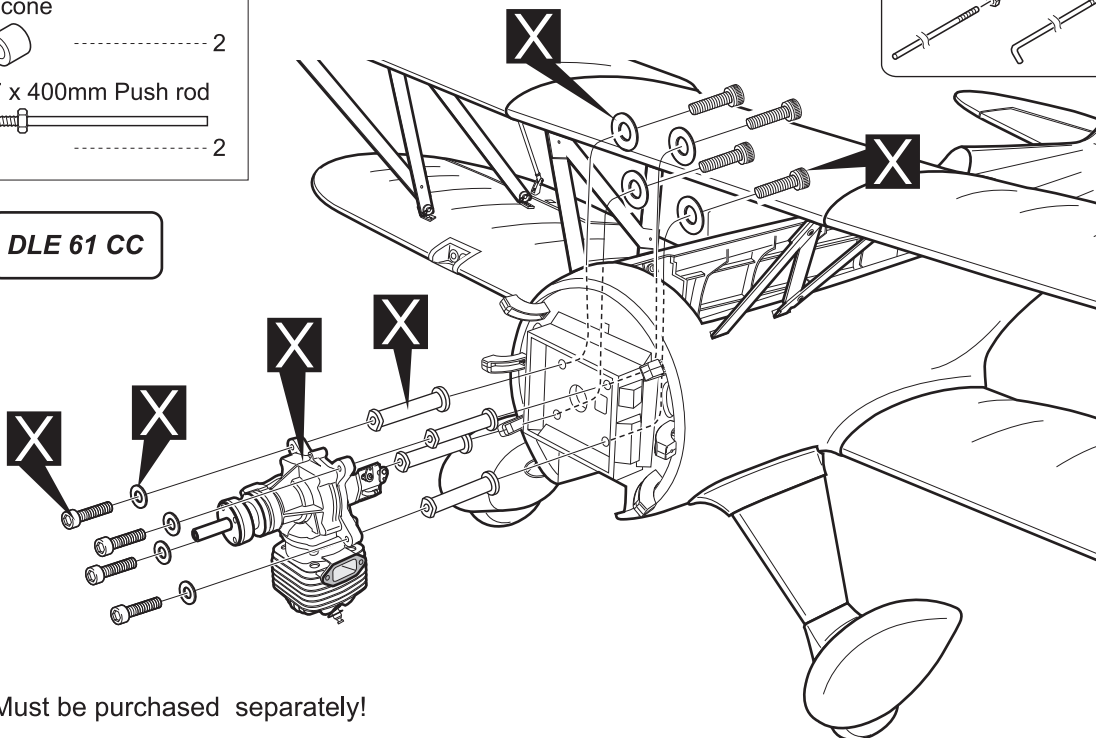




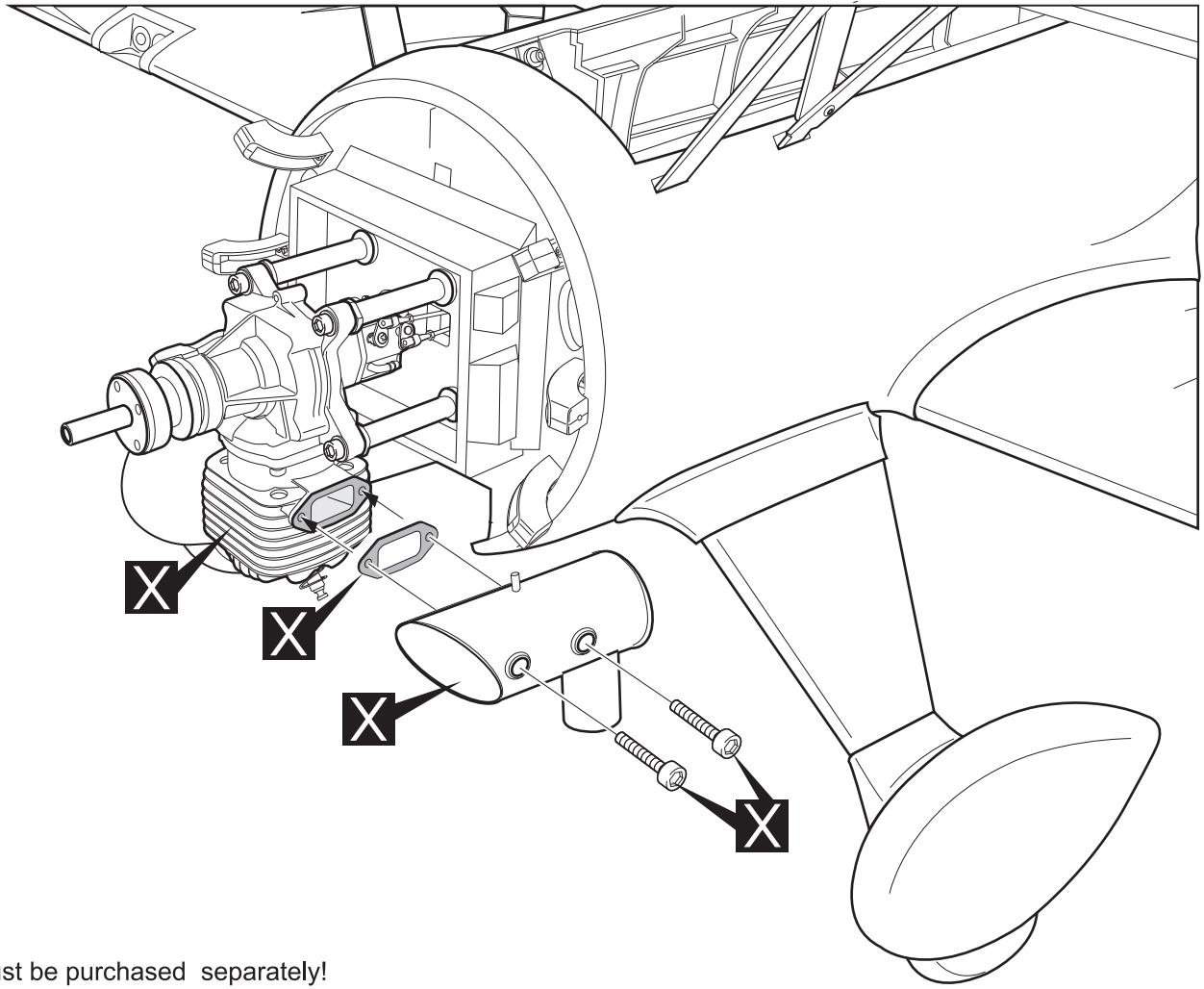
- Apply instant glue (CA glue, super glue).
- Note the direction.
- Drill holes with the specified diameter.



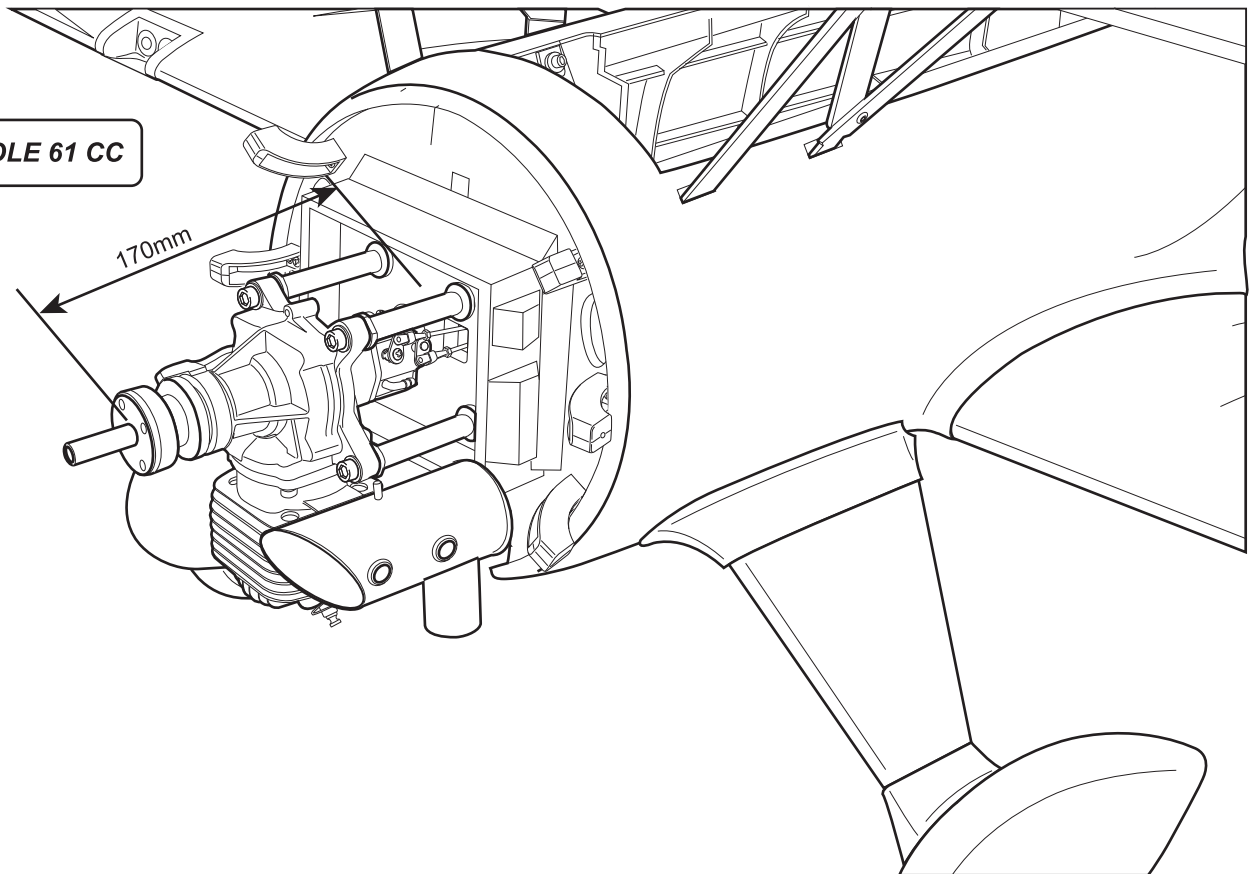
DLE 61 CC

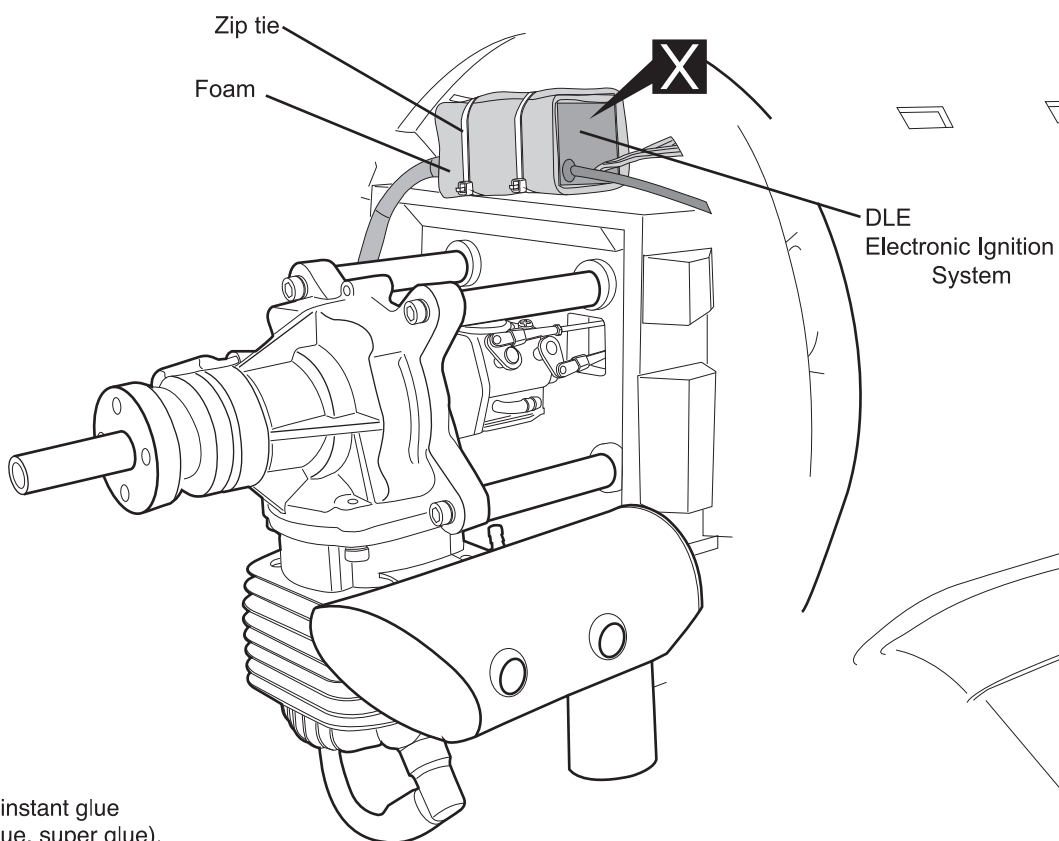
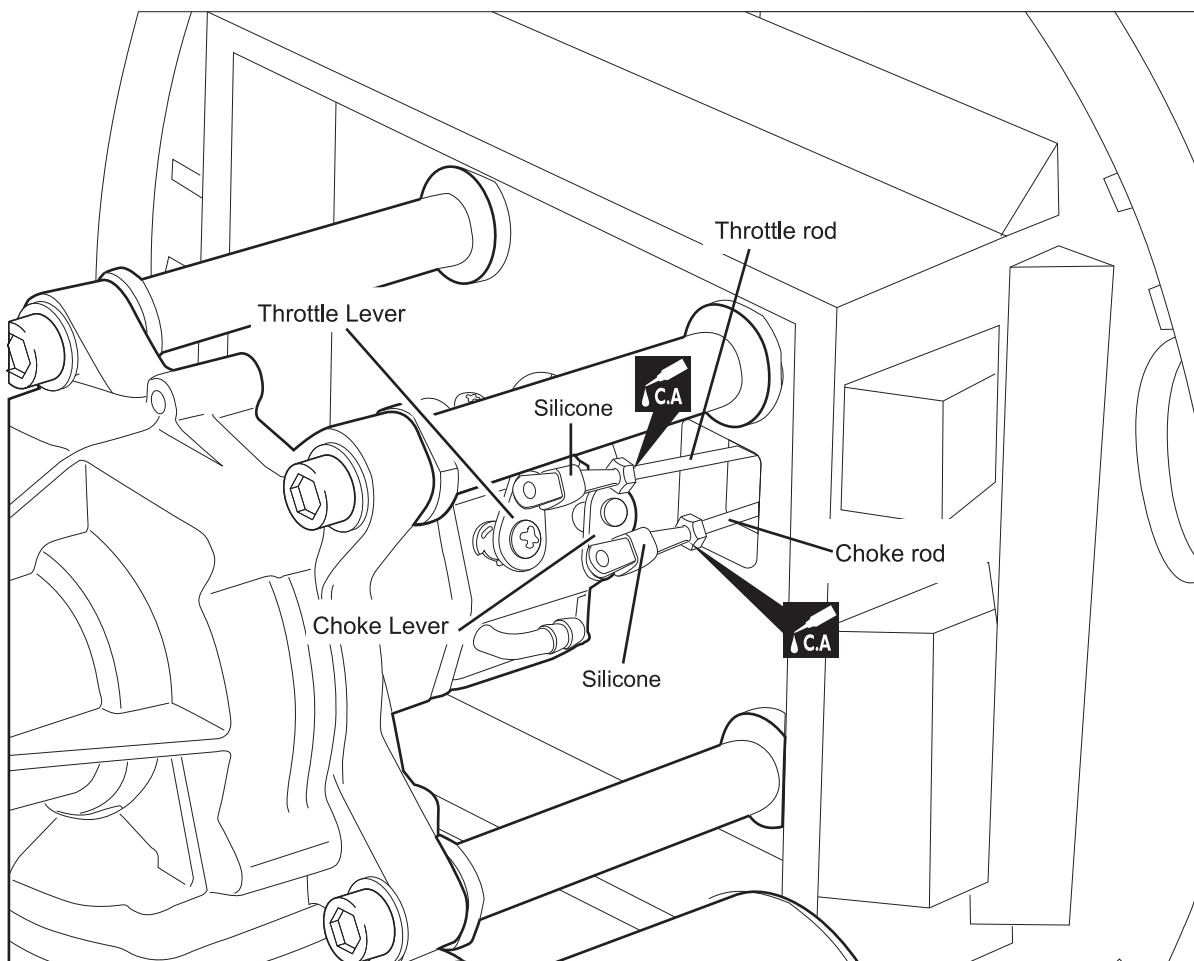



Must be purchased separately!




DLE 61 CC

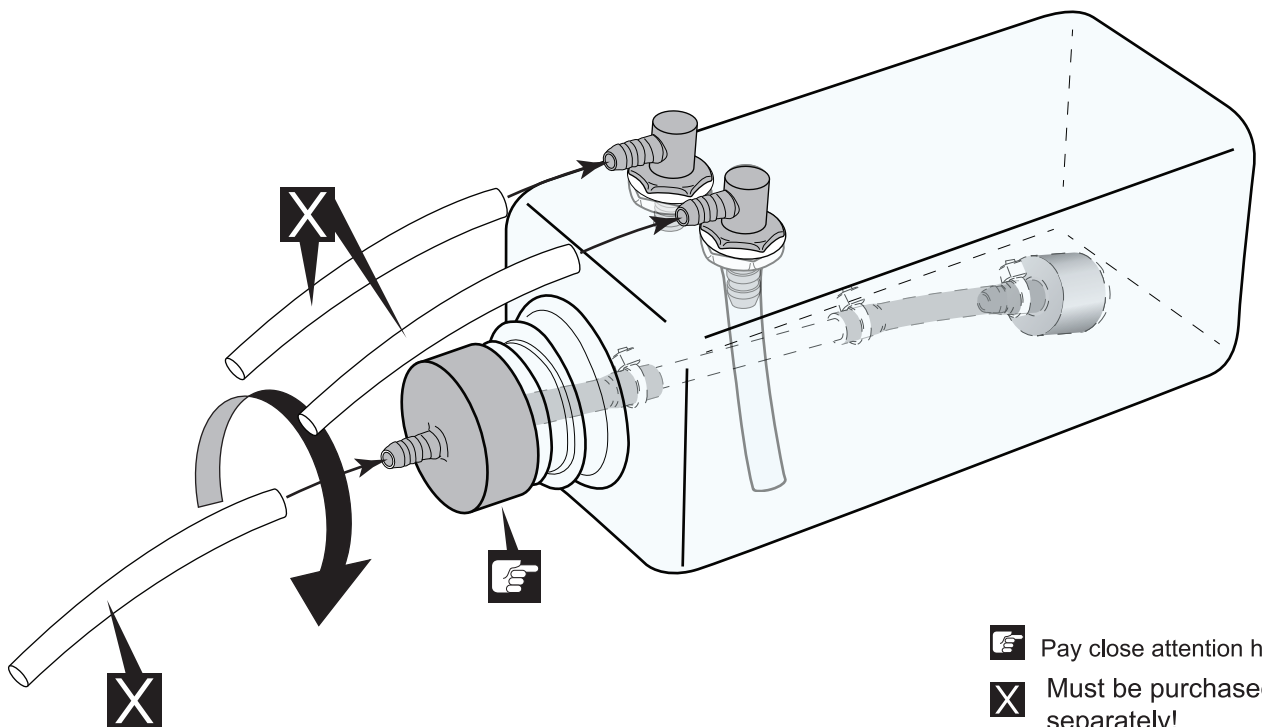
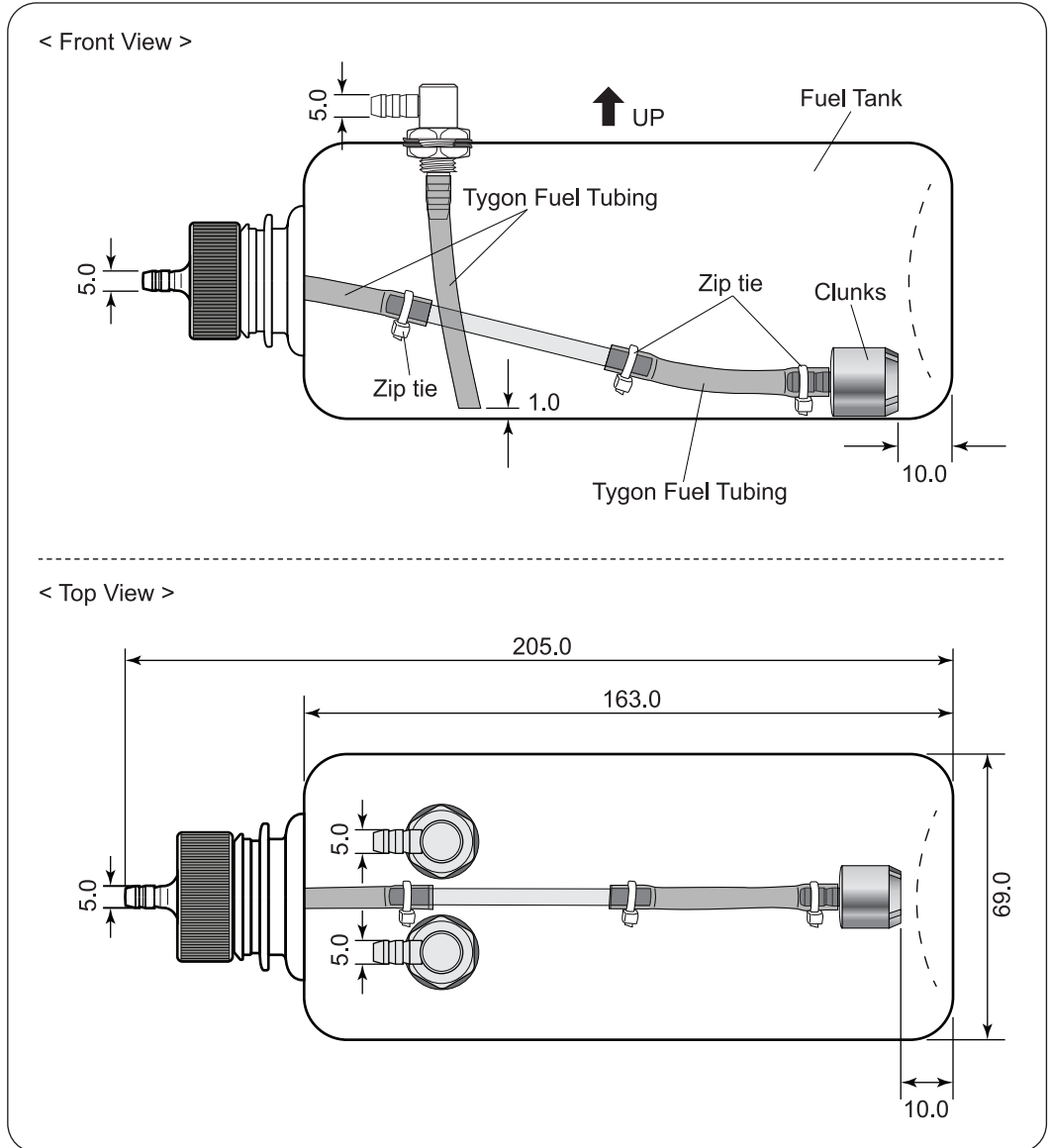
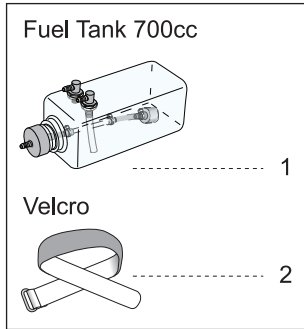


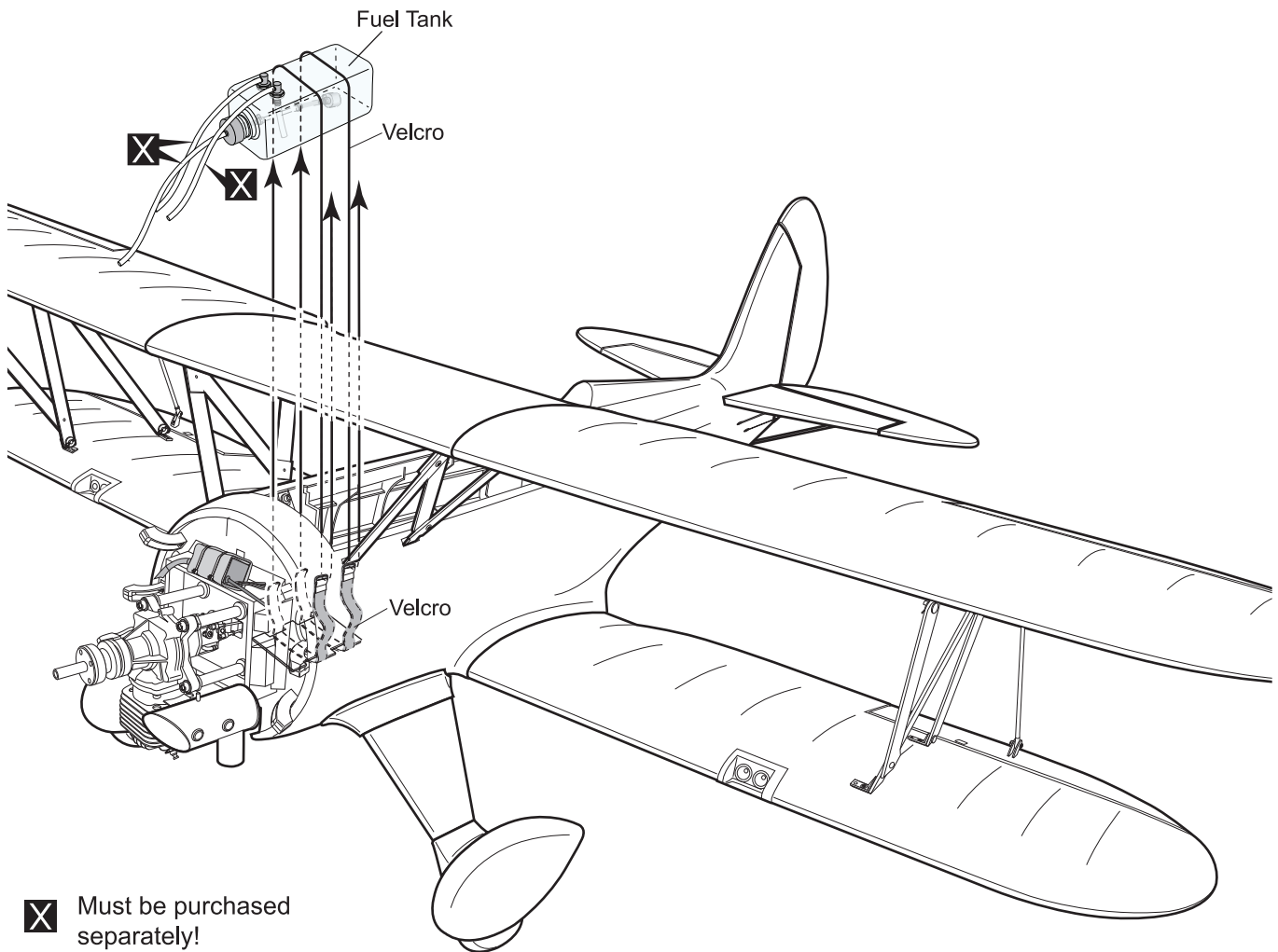


 Apply instant glue (CA glue, super glue).

 Must be purchased separately!

INSTALLING THE FUEL TANK

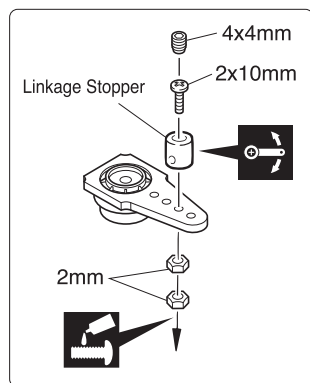
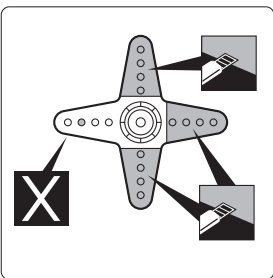




X Must be purchased separately!

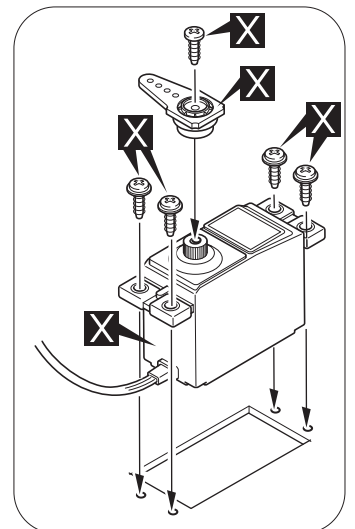
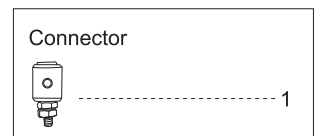
INSTALLING THE THROTTLE

1. Plug the throttle servo into the receiver and turn on the radio system. Check to ensure that the throttle servo output shaft is moving in the correct direction. When the throttle stick is moved forward from idle to full throttle, the throttle barrel should also open and close using this motion. If not, reverse the direction of the servo, using the transmitter.



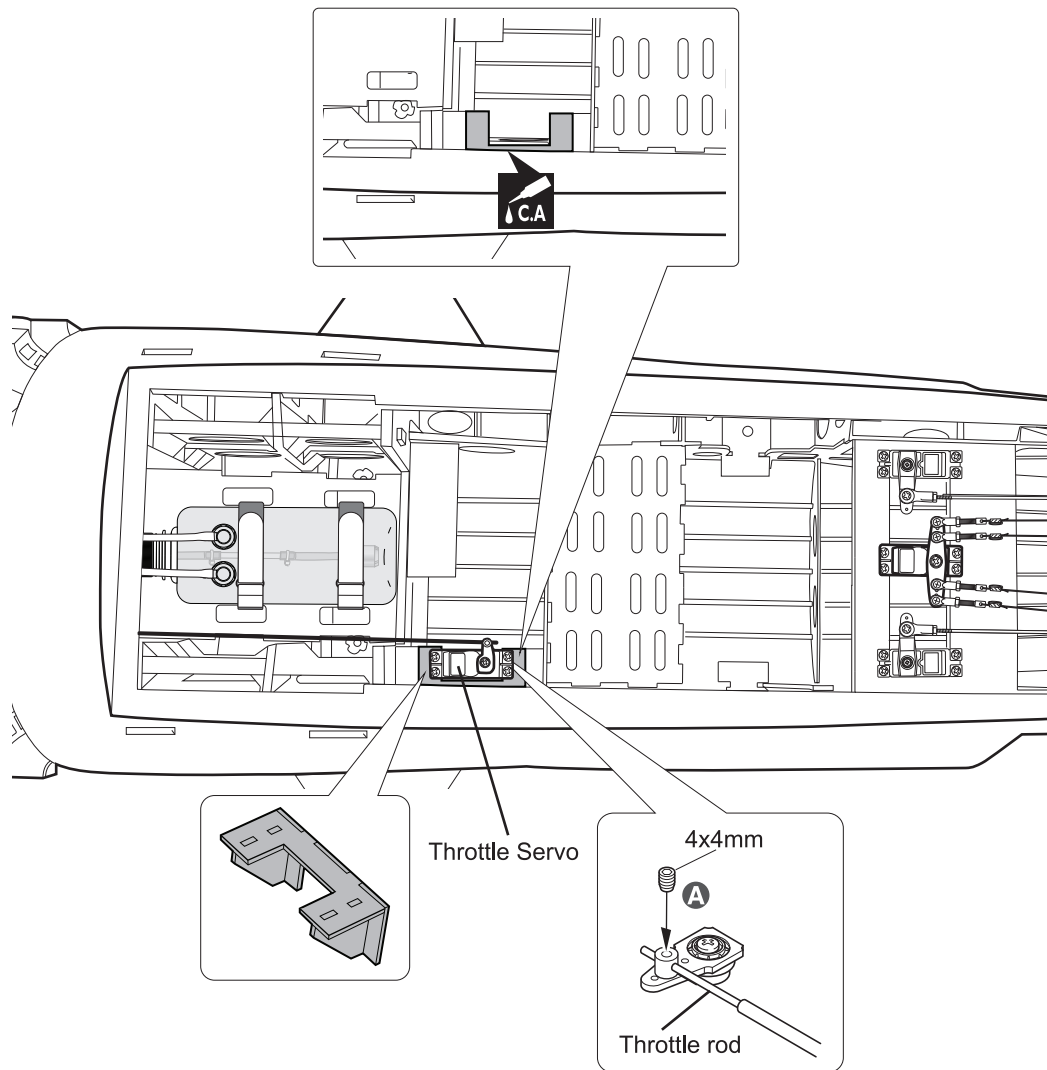
Ensure smooth, non-binding movement when assembling




Apply threadlocker (screw cement).





Cut off shaded portion


X Must be purchased separately!

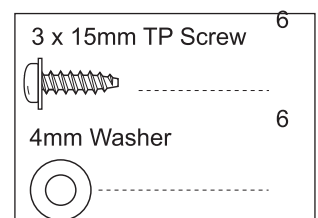


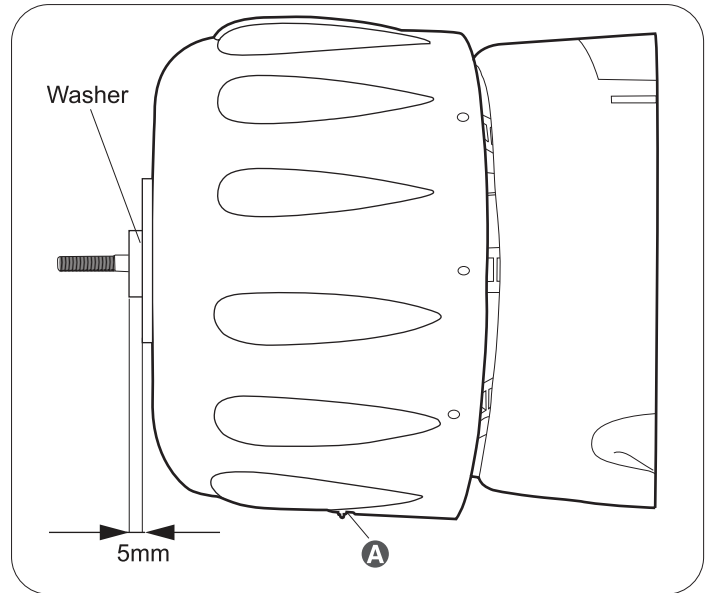
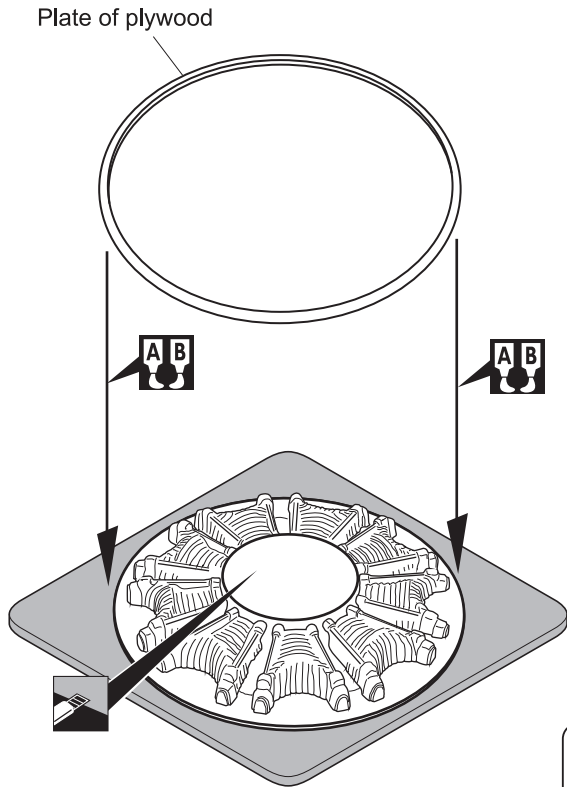
-  Apply instant glue (CA glue, super glue).
-  Ensure smooth, non-binding movement when assembling
-  Apply threadlocker (screw cement).

-  Cut off shaded portion
-  Must be purchased separately!

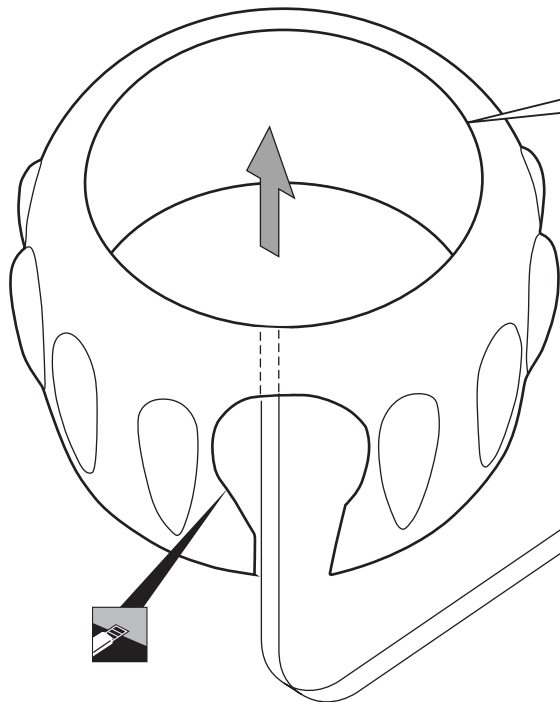
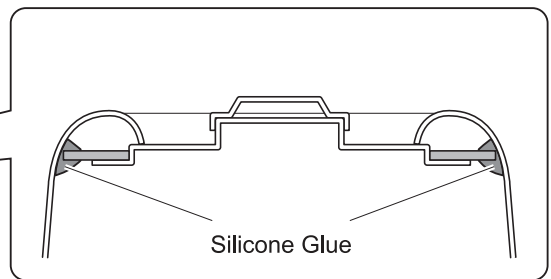
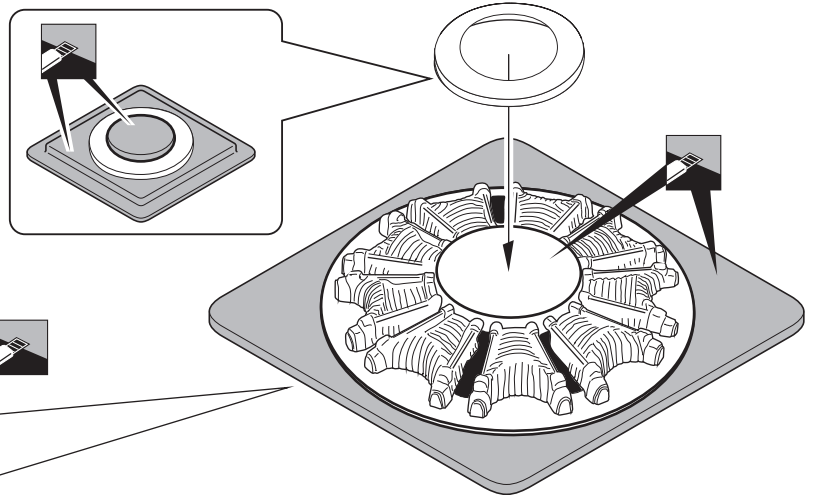
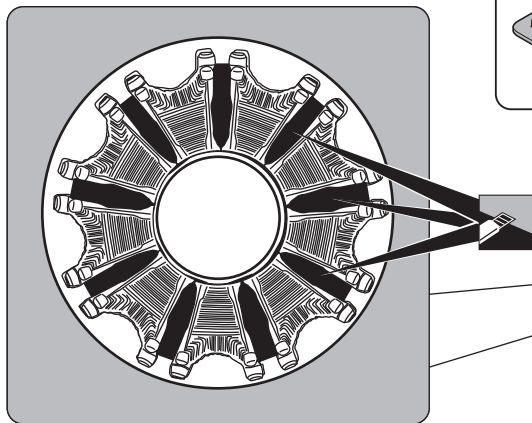
MOUNTING THE COWL

1. Remove the muffler and needle valve assembly from the engine. Slide the fiberglass cowl over the engine.
 2. Measure and mark the locations to be cut out for engine head clearance, needle valve, muffler. Remove the cowl and make these cutouts using a rotary tool with a cutting disc and a rotary sanding drum attachment.
 3. Slide the cowl back into place. Align the front of the cowl with the crankshaft of the engine. The front of the cowl should be positioned so the crankshaft is in the middle of the precut opening. Hold the cowl firmly in place using several pieces of masking tape.
 4. While holding the cowl firmly in position, drill four 1,6mm pilot holes through both the cowl and the side edges of the firewall.
 - Using a 3mm drill bit, enlarge the four holes in the cowling.
-  *Enlarging the holes through the cowl will prevent the fiberglass from splitting when the mounting screws are installed.*
6. Slide the cowl back over the engine and secure it in place using four screws.
 7. Install the muffler. Connect the fuel and pressure lines to the carburator, muffler and fuel filler valve. Tighten the screws completely.



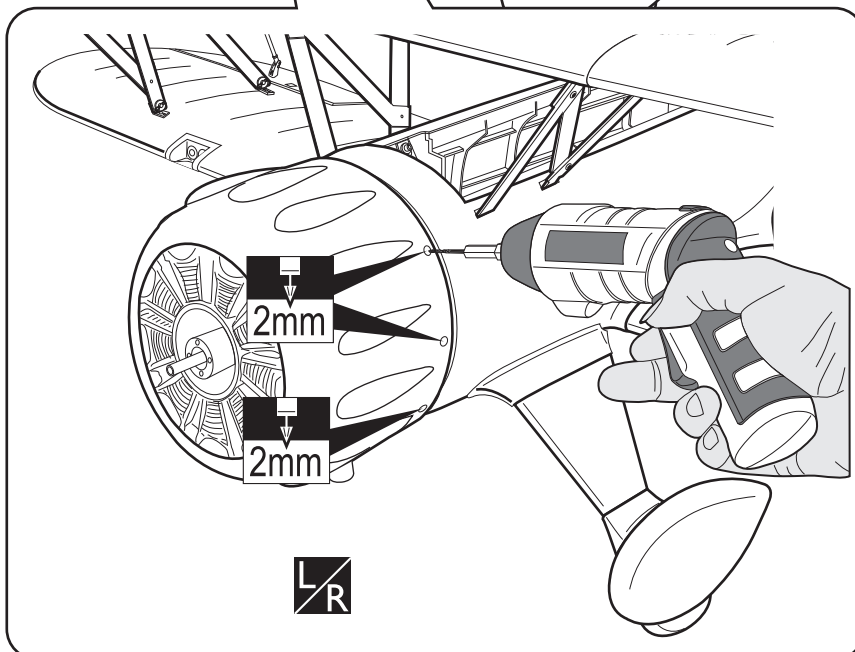
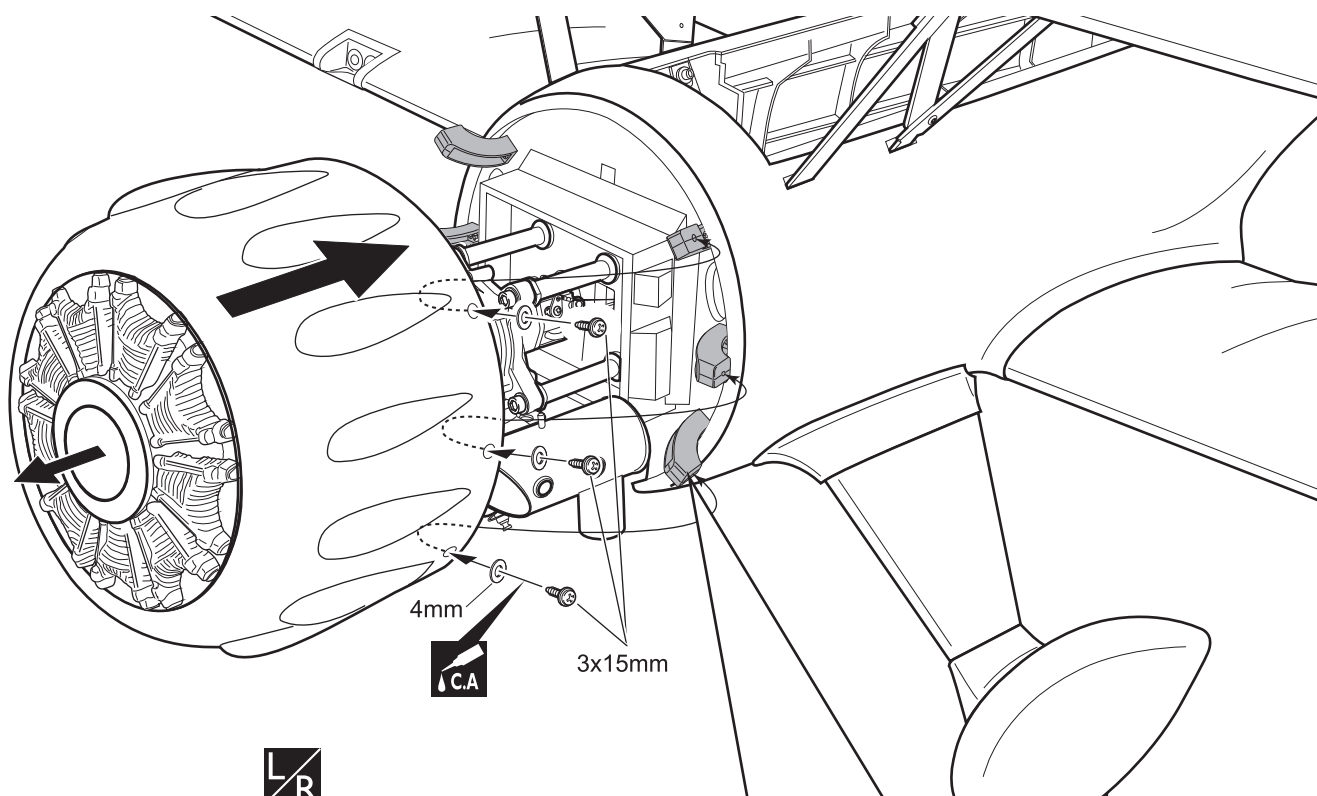
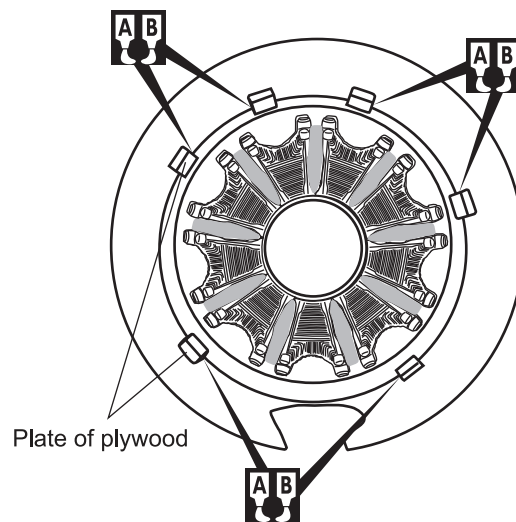
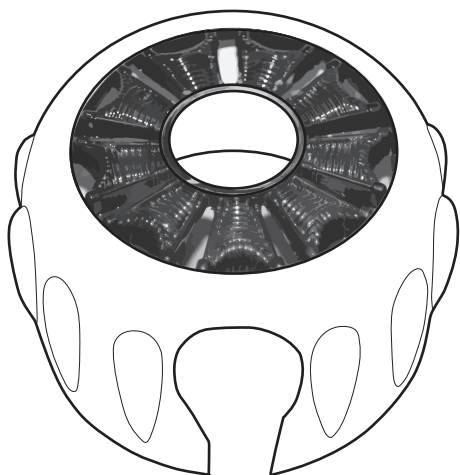






A Trim the cowling so it will match your engine



AB Apply epoxy glue

Cut off shaded portion



-  Apply epoxy glue
-  Apply instant glue (CA glue, super glue).
-  Assemble left and right sides the same way.
-  Drill holes with the specified diameter.

INSTALLING THE SPINNER

Install the spinner back-plate, propeller and spinner cone.

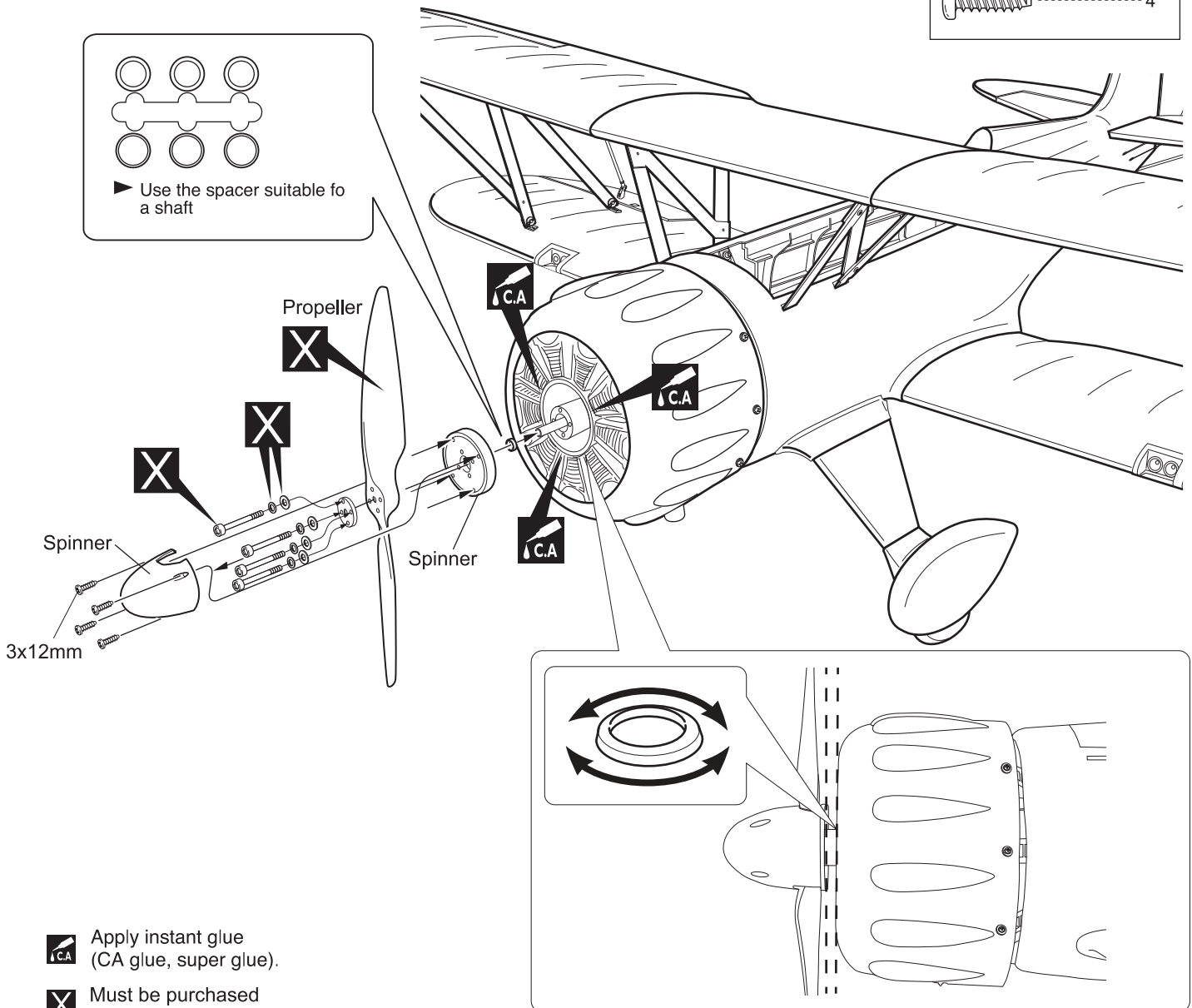
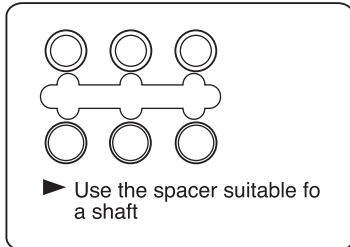
! *The propeller should not touch any part of the spinner cone. If it does, use a sharp modeling knife and carefully trim away the spinner cone where the propeller comes in contact with it.*



Warning!

- ▶ Securely tighten the nut holding the propeller for it not come off when the motor is spinning. If coming off, there is a high risk of injury!
- ▶ Always ensure propeller and spinner are balanced. If unbalanced, vibration may result at high rotation and cause damage or injury.

3x12mm TP Screw



CA Apply instant glue (CA glue, super glue).

X Must be purchased separately!

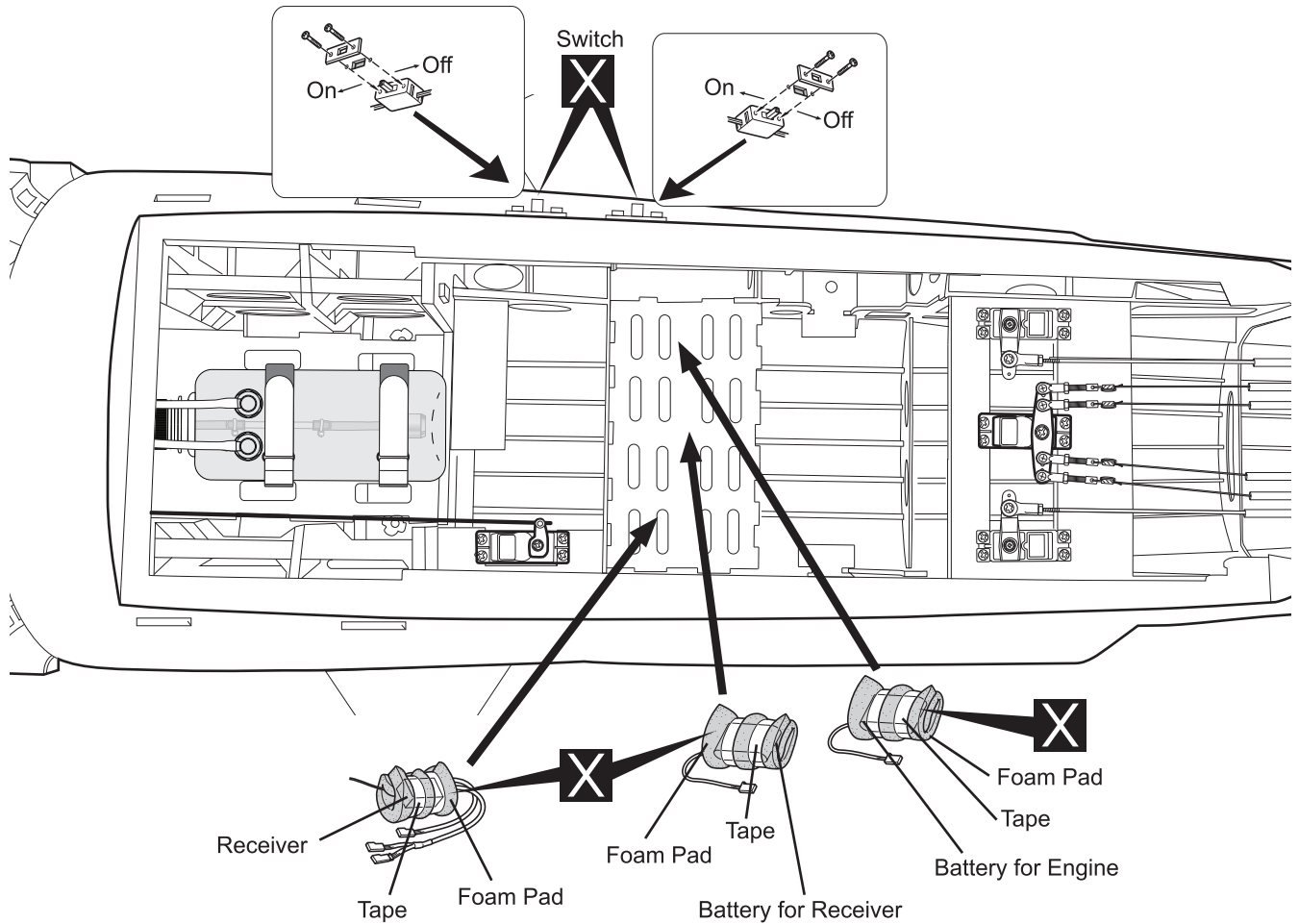
INSTALLING THE RECEIVER AND BATTERY

1. Plug the servo leads and the switch lead into the receiver. You may want to plug an aileron extension into the receiver to make plugging in the aileron servo lead easier when you are installing the wing. Plug the battery pack lead into the switch.
2. Wrap the receiver and battery pack in the protective foam to protect them from vibration. Use a rubber band or masking tape to hold the foam in place.

! *Do not permanently secure the receiver and battery until after balancing the model.*

INSTALLING THE SWITCH

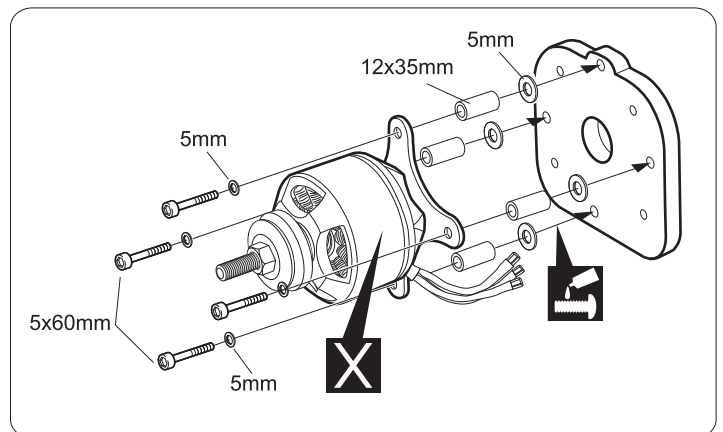
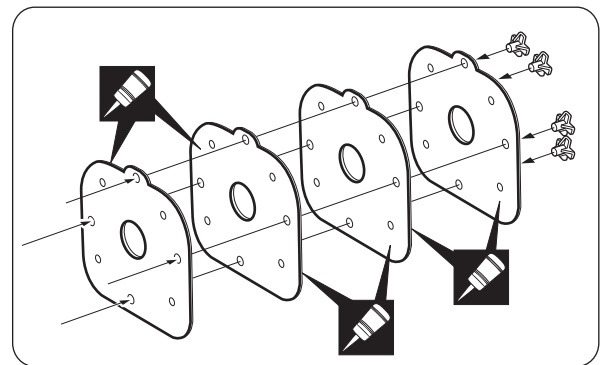
1. The switch should be mounted on the fuselage side, opposite the muffler, close enough to the receiver so the lead will reach. Use the face plate of the switch cut out and locate the mounting holes.
2. Cut out the switch hole using a modeling knife. Use a 2mm drill bit and drill out the two mounting holes through the fuselage side.
3. Secure the switch in place using the two machine screws provided with the radio system.



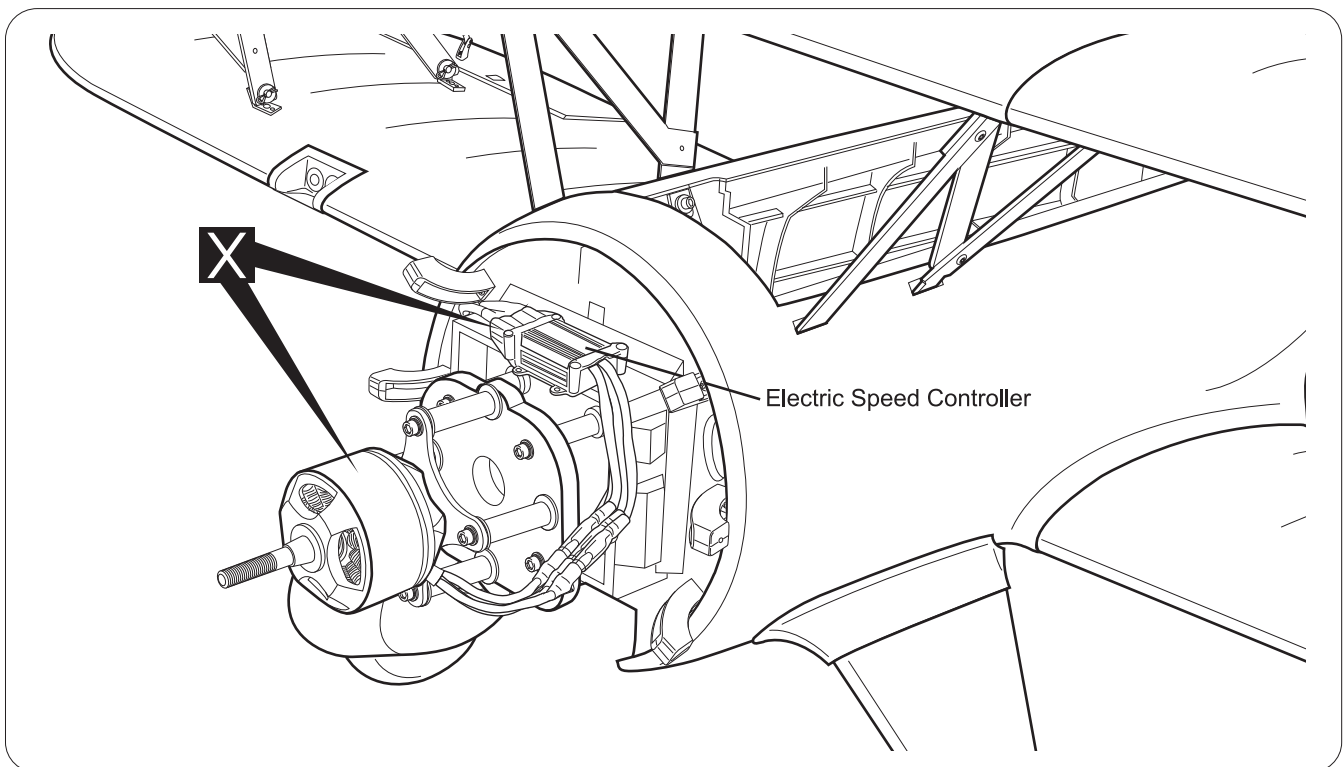
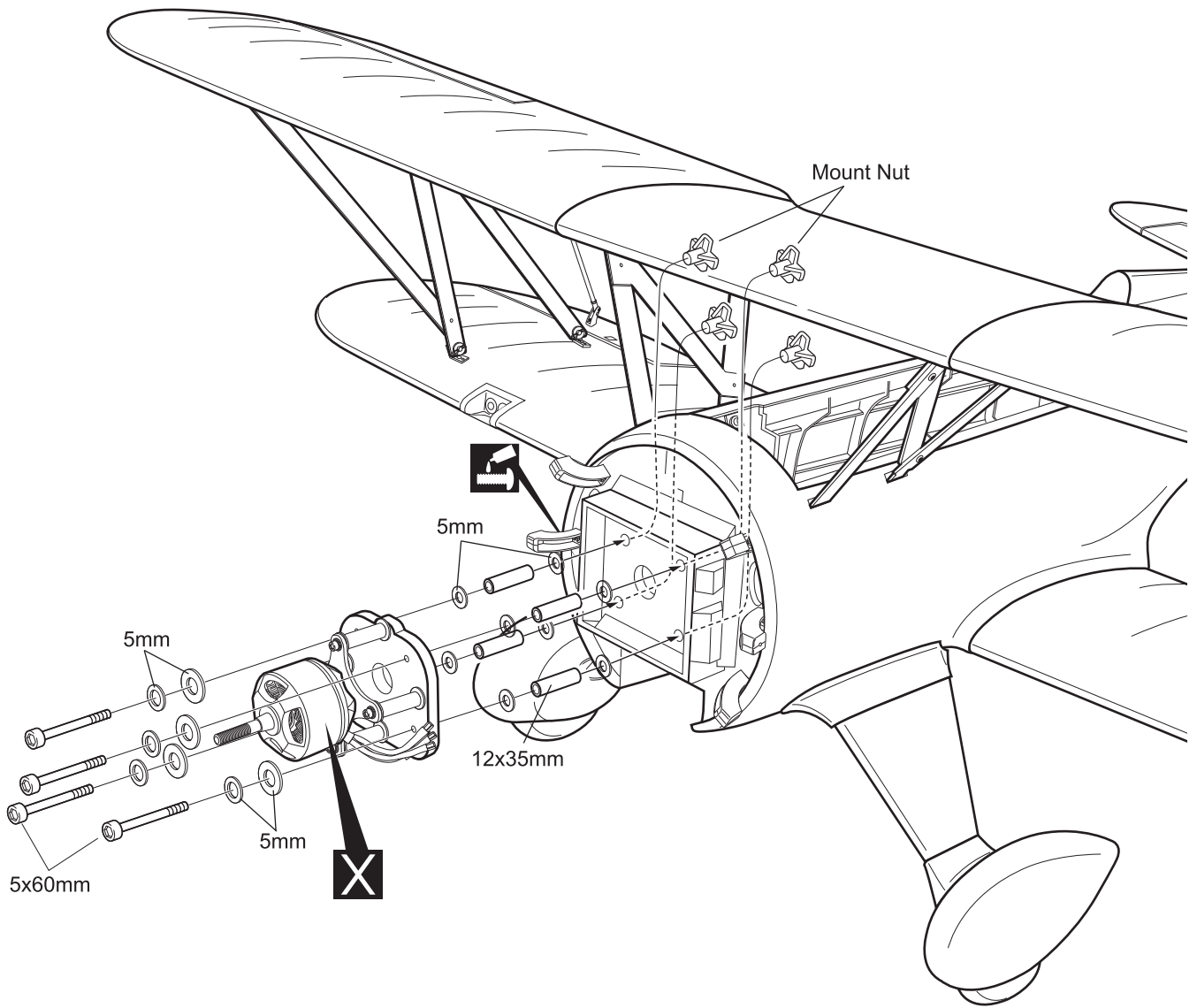
X Must be purchased separately!


INSTALLING THE ELECTRIC MOTOR (EP VERSION)


- 5 x 60mm Cap Screw 8
- 5mm Spring Washer
- 5mm Washer 8
- 5mm Washer 4
- 12 x 35mm Aluminum 8
- 5mm Washer 12
- 5mm Mount Nut 8

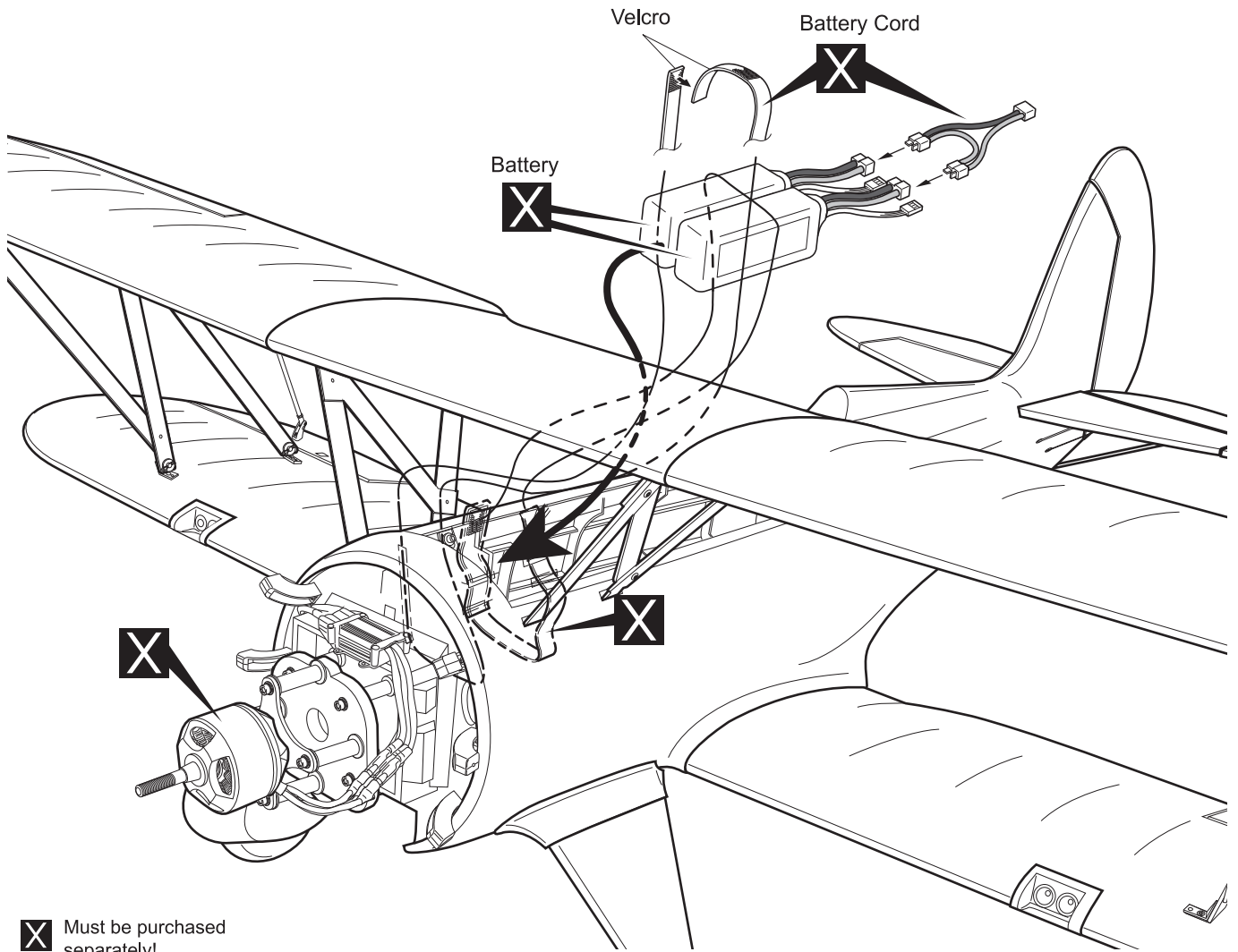


- White glue
- Apply threadlocker (screw cement).
- X** Must be purchased separately!



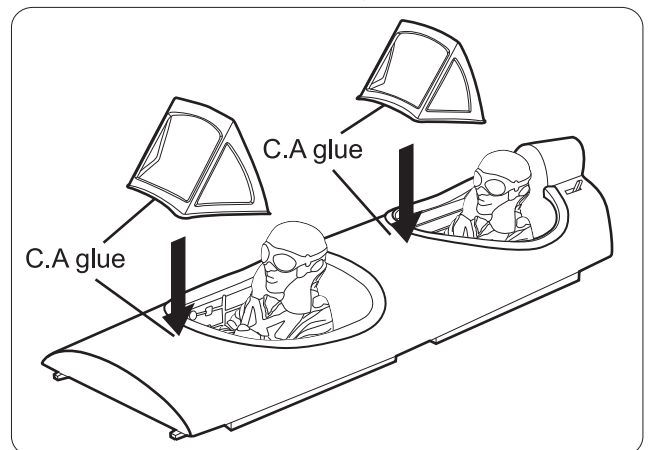
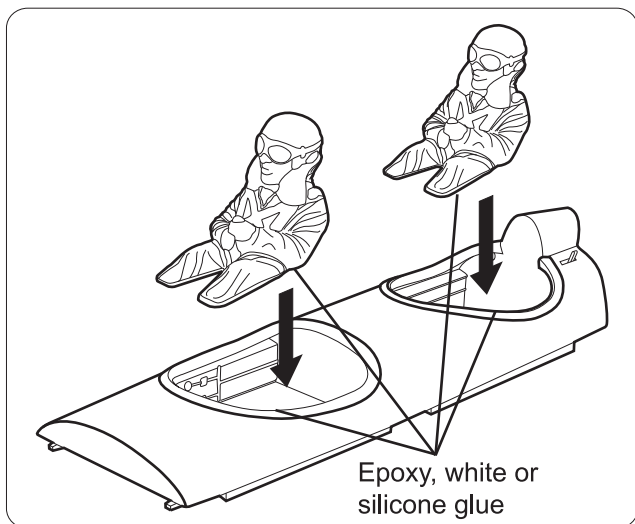
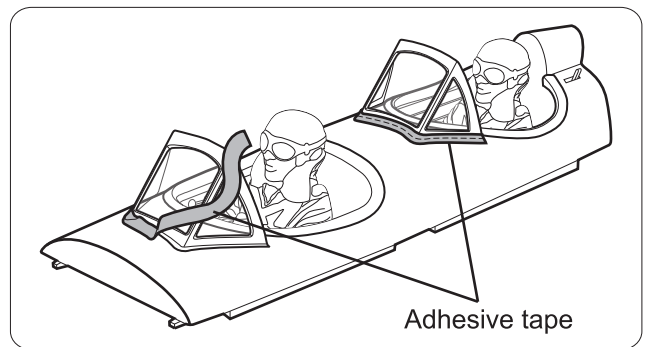
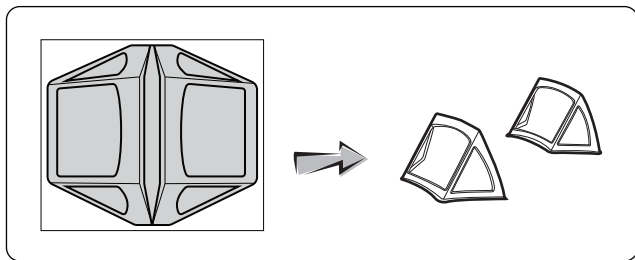
 Apply threadlocker (screw cement).

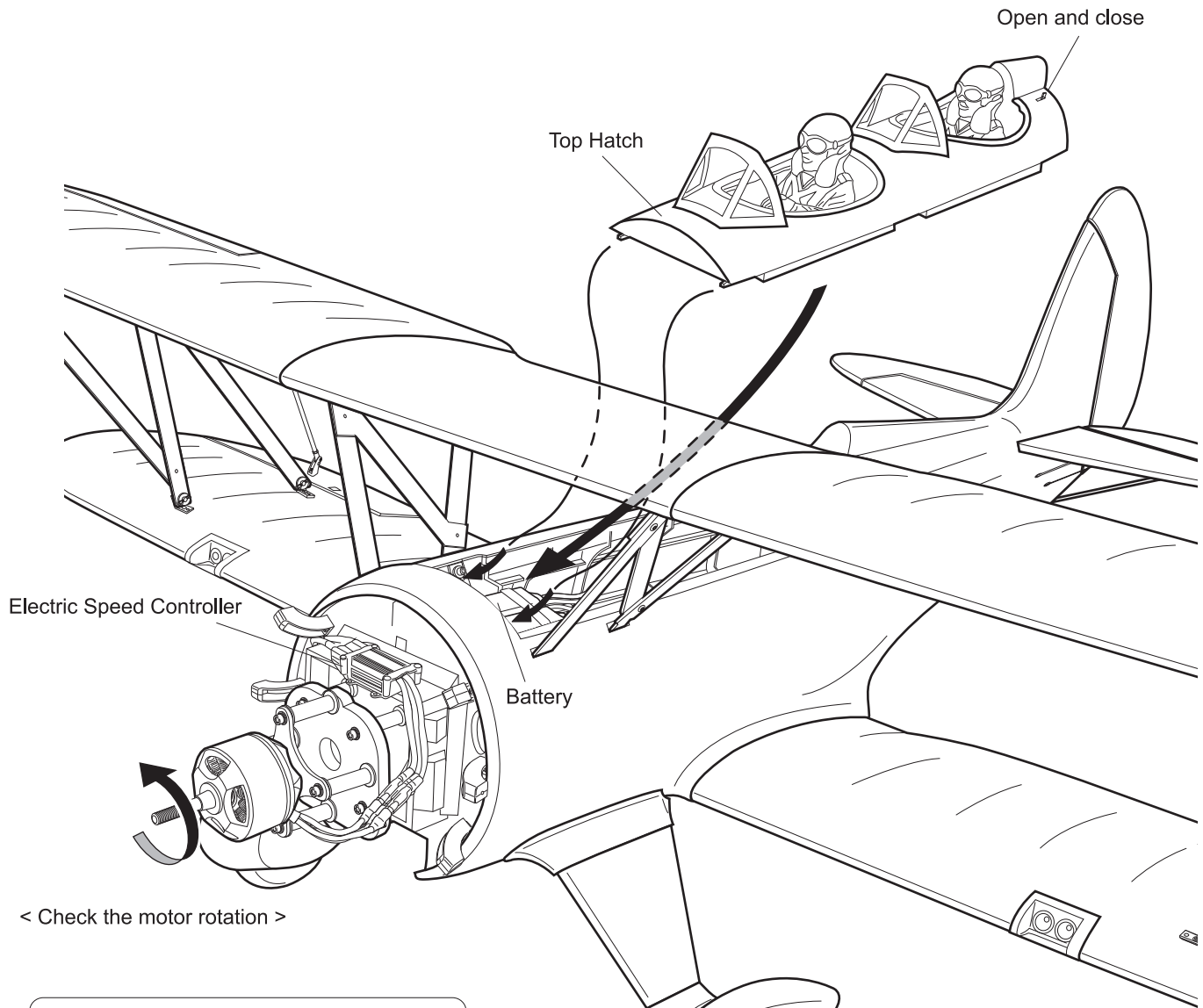
 Must be purchased separately!



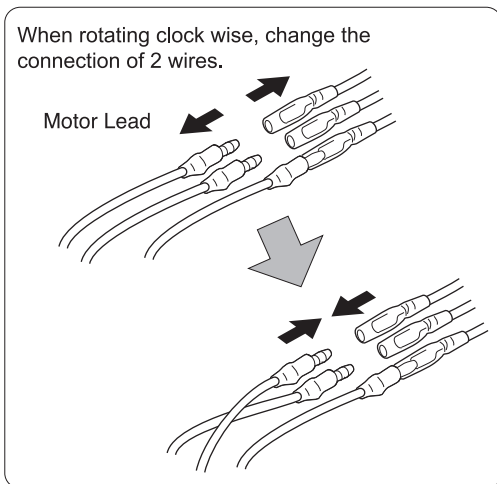
X Must be purchased separately!

INSTALLING THE CANOPY





< Check the motor rotation >

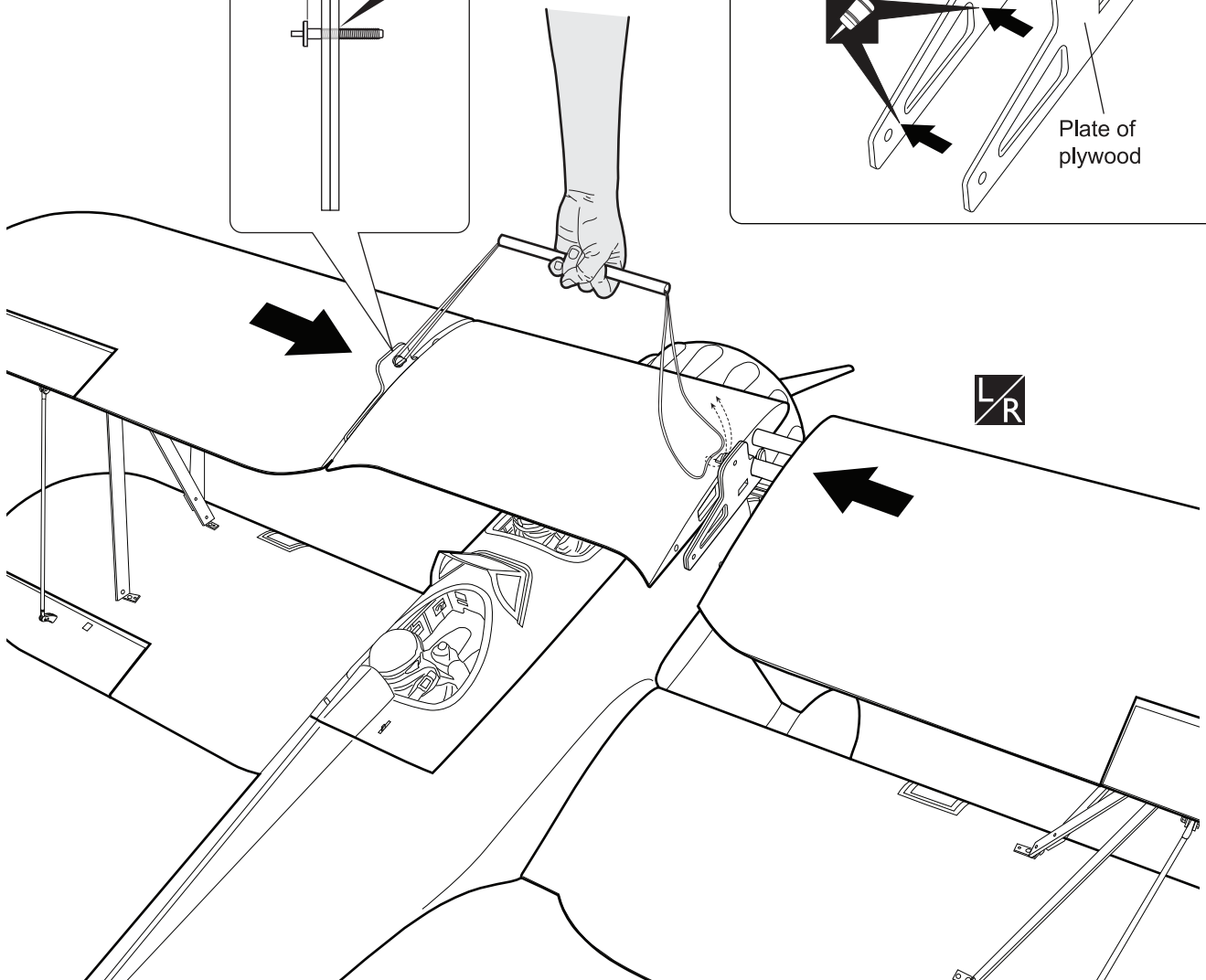
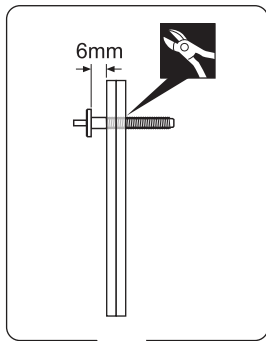
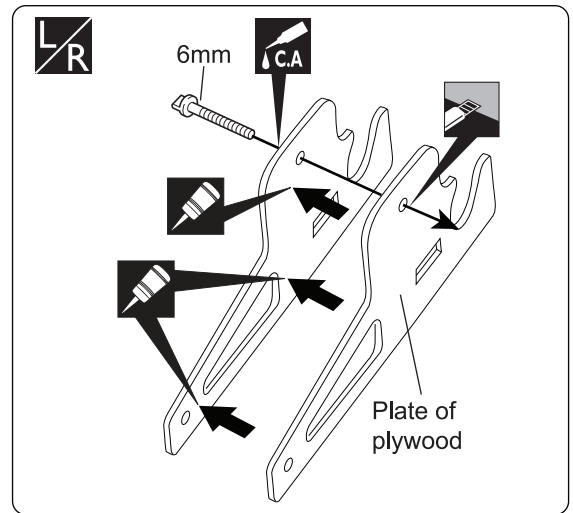
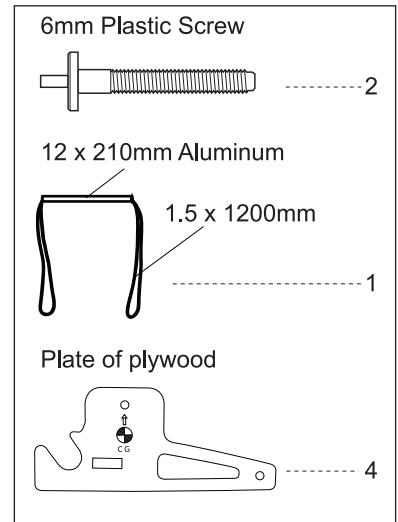
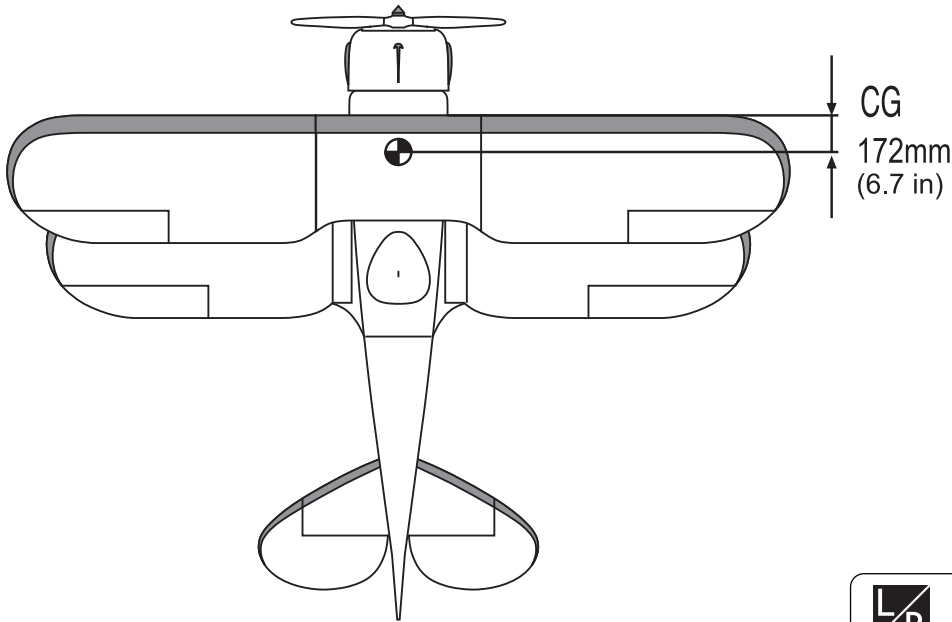


BALANCING

1. It is critical that your airplane be balanced correctly. Improper balance will cause your plane to lose control and crash.

THE CENTER OF GRAVITY IS LOCATED 172mm (6.7 in) BACK FROM THE LEADING EDGE OF THE UPPER WING.

2. If the nose of the plane falls, the plane is nose heavy. To correct this first move the battery pack further back in the fuselage. If this is not possible or does not correct it, stick small amounts of lead weight on the fuselage under the horizontal stabilizer. If the tail of the plane falls, the plane is tail heavy. To correct this, move the battery and receiver forward or if this is not possible, stick weight into the firewall. When balanced correctly, the airplane should sit level or slightly nose down when you lift it up with your fingers.



Pay close attention here

Apply instant glue (CA glue, super glue).

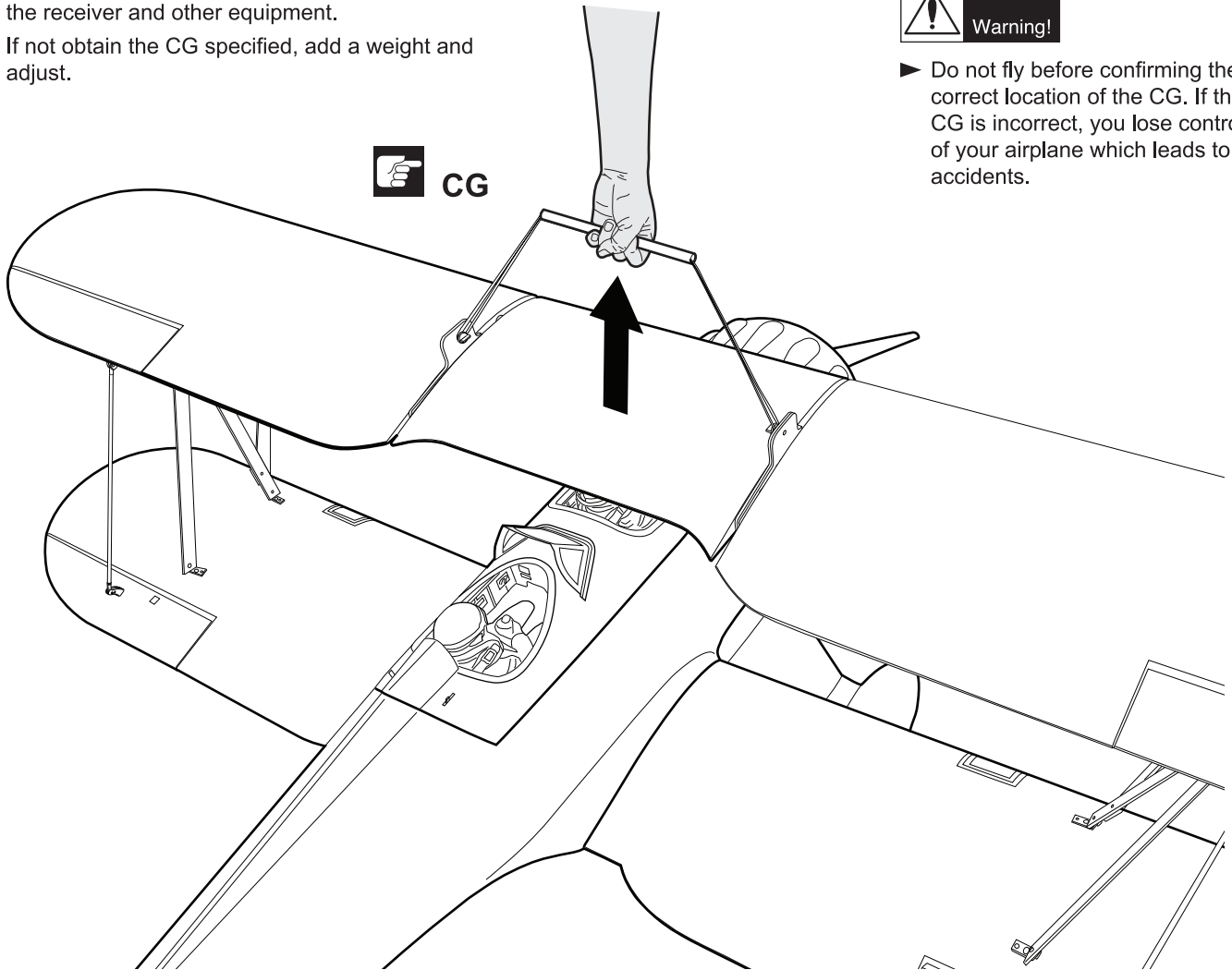
Cut off excess.

Assemble left and right sides the same way

- ▶ In order to obtain the CG specified, reposition the receiver and other equipment.
- ▶ If not obtain the CG specified, add a weight and adjust.



▶ Do not fly before confirming the correct location of the CG. If the CG is incorrect, you lose control of your airplane which leads to accidents.



LATERAL BALANCE

! After you have balanced a plane on the C.G. You should laterally balance it. Doing this will help the airplane track straighter.

1. Turn the airplane upside down. Attach one loop of heavy string to the engine crankshaft and one to the tail wheel wire. With the wings level, carefully lift the airplane by the string. This may require two people to make it easier.
2. If one side of the wing fall, that side is heavier than the opposite. Add small amounts of lead weight to the bottom side of the lighter wing half's wing tip. Follow this procedure until the wing stays level when you lift the airplane.

CONTROL THROWS

1. We highly recommend setting up a plane using the control throws listed.
2. The control throws should be measured at the widest point of each control surface.
3. Check to be sure the control surfaces move in the correct directions.

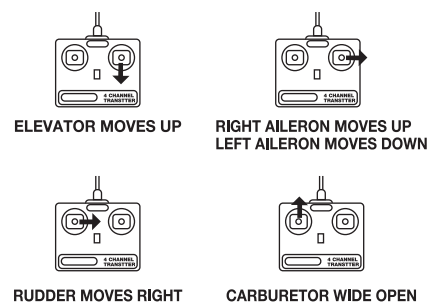
● **LOW RATE**

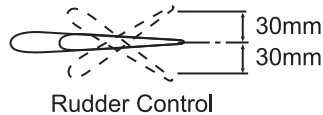
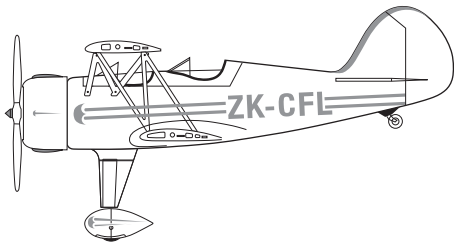
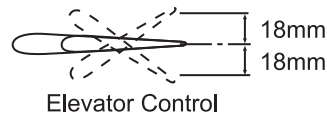
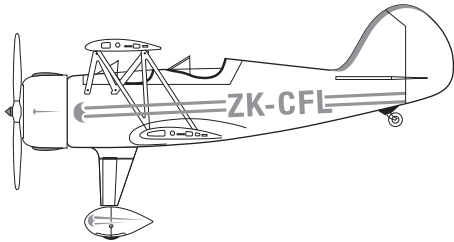
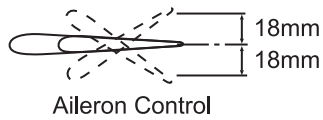
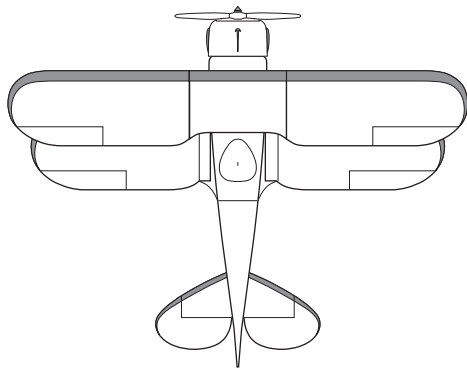
Aileron	18mm up	18mm down
Elevator	18mm up	18mm down
Rudder	30mm right	30mm left

● **HIGH RATE**

Aileron	22mm up	22mm down
Elevator	22mm up	22mm down
Rudder	40mm right	40mm left

4 CHANNEL RADIO SETUP
(STANDARD MODE 2)





FLIGHT PREPARATION PRE

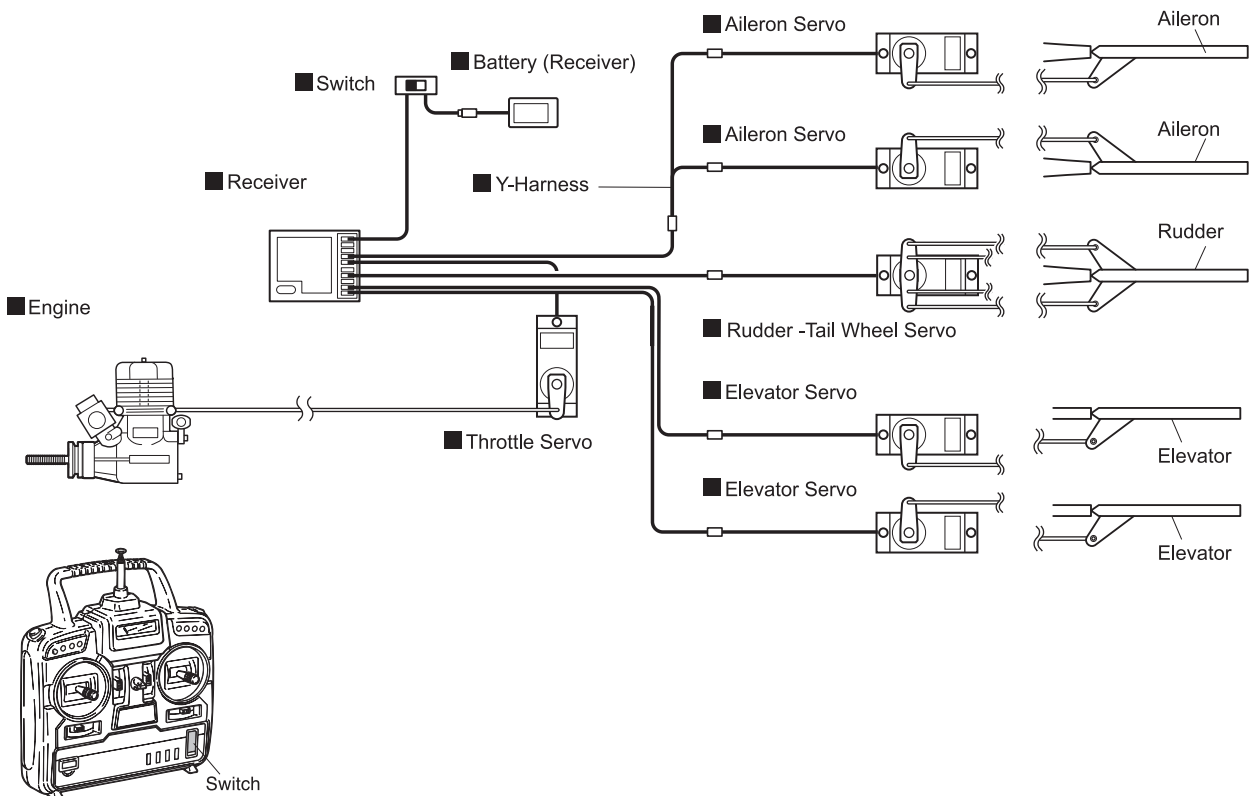
FLIGHT CHECK

1. Completely charge your transmitter and receiver batteries before your first day of flying.
2. Check every bolt and every glue joint in your plane to ensure that everything is tight and well bonded.
3. Double check the balance of the airplane
4. Check the control surface
5. Check the receiver antenna . It should be fully extended and not coiled up inside the fuselage.
6. Properly balance the propeller.

**FOR YOUR RADIO INSTALLATION
BASIC CONNECTION FOR AIRPLANE AND ADJUSTMENT OF SERVOS**

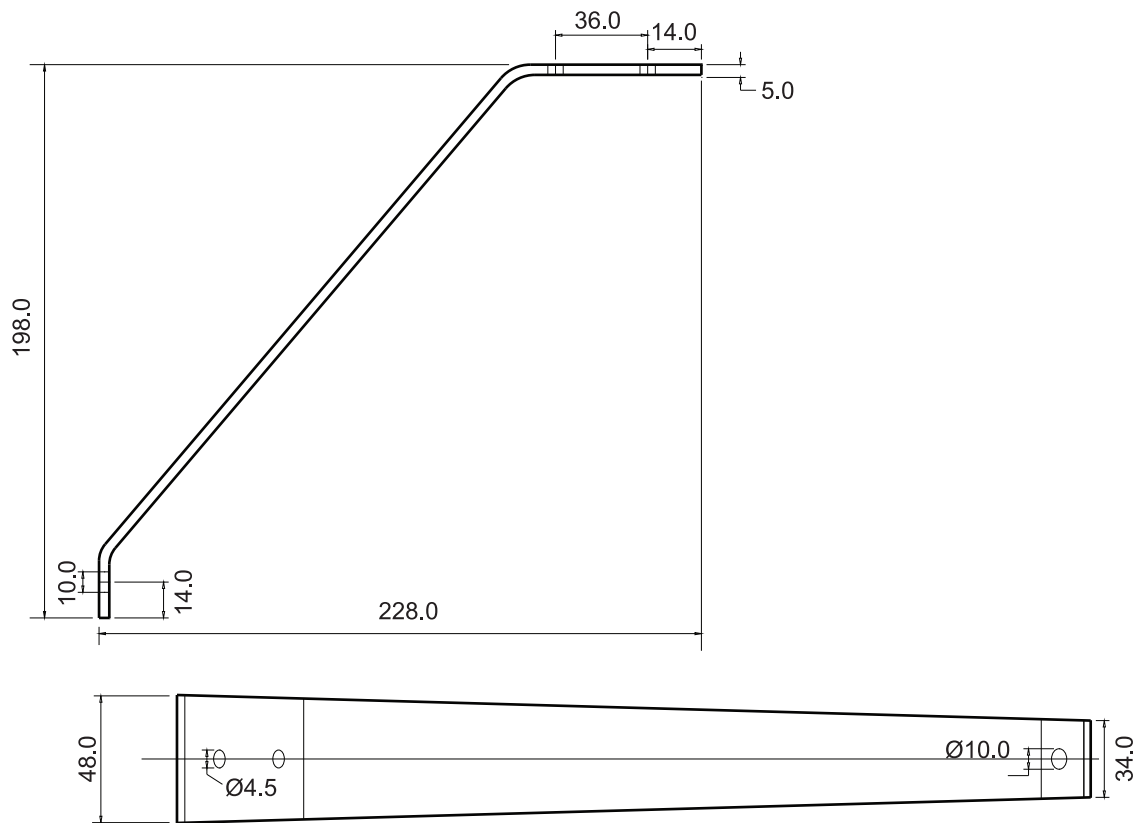
Example of connection

- For more information, refer to radio system instruction manual.
- Follow instruction manual of Engine and Battery.

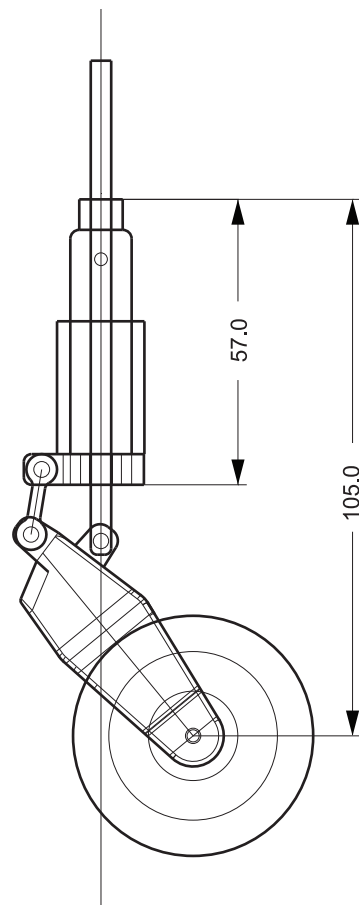


MAIN GEAR DIMENSIONAL DETAIL

AL #2 - 5mm

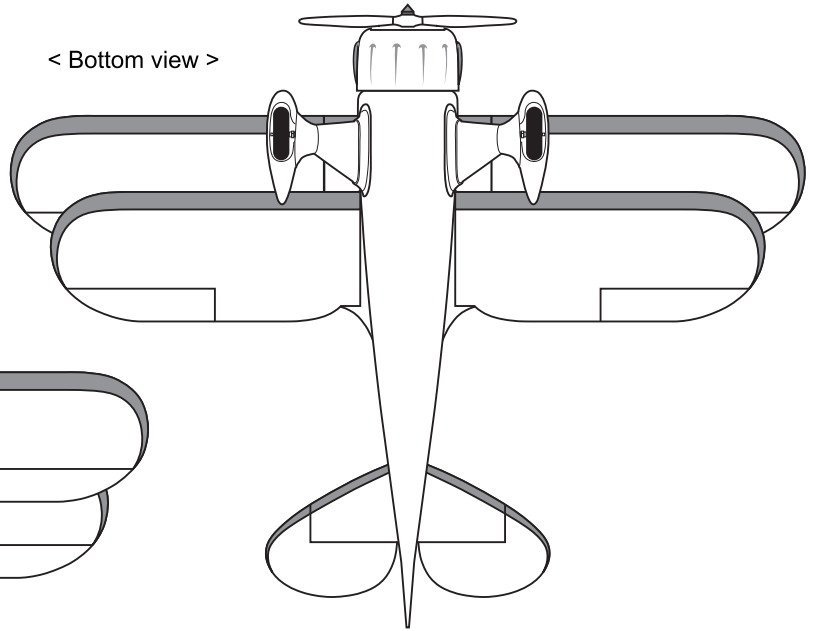


TAIL GEAR DIMENSIONAL DETAIL

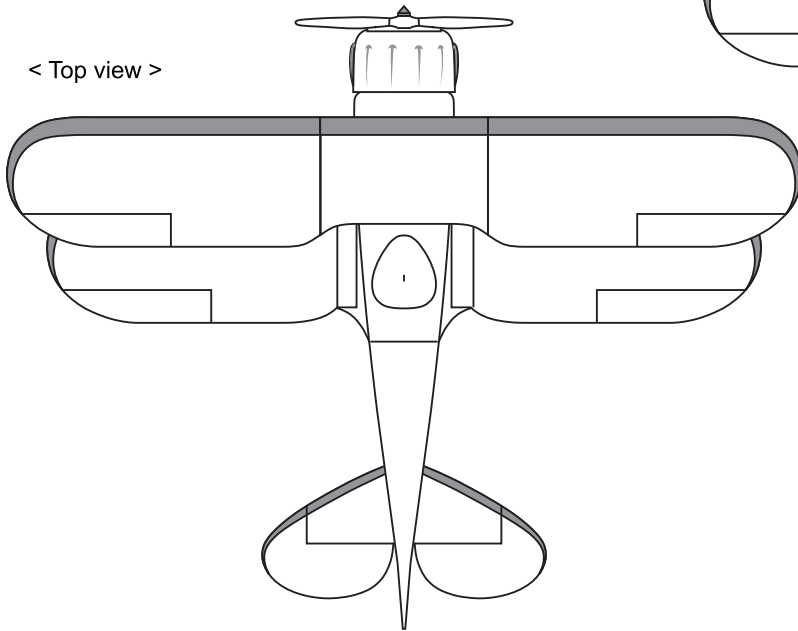


DECORATION

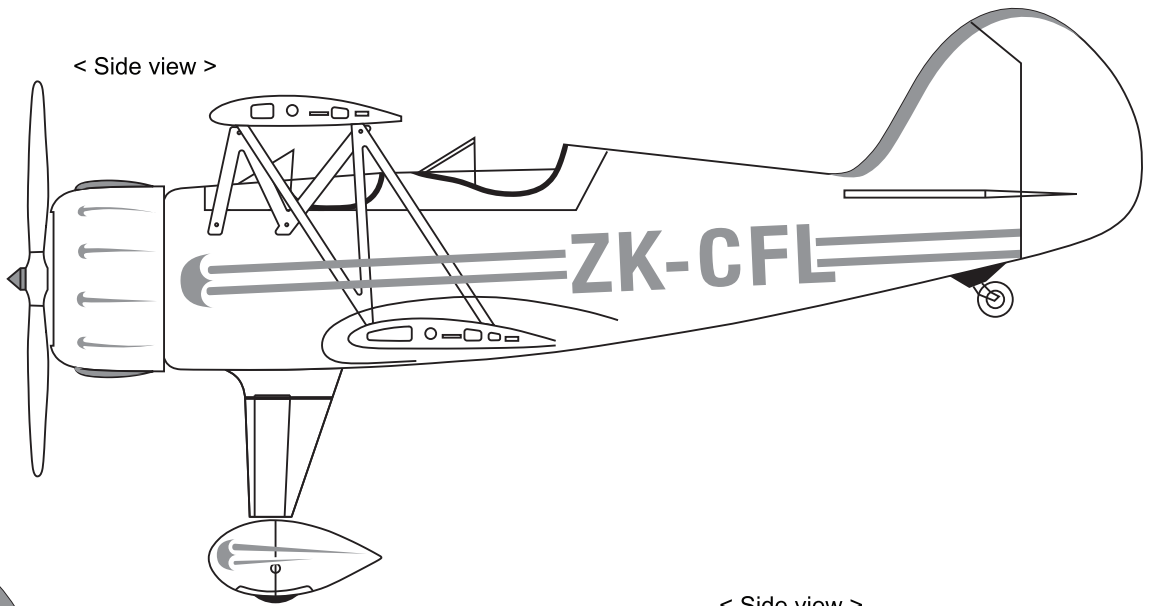
< Bottom view >



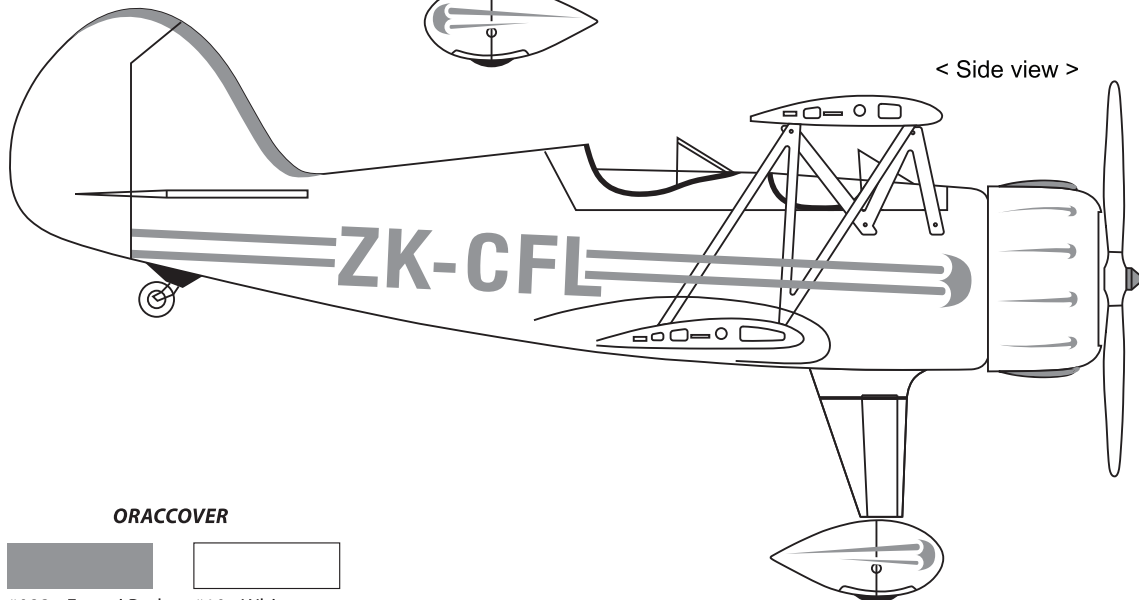
< Top view >



< Side view >



< Side view >



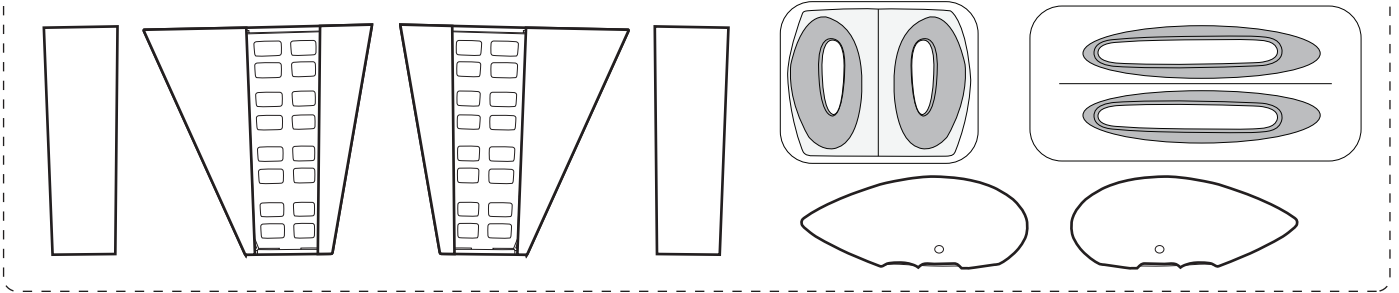
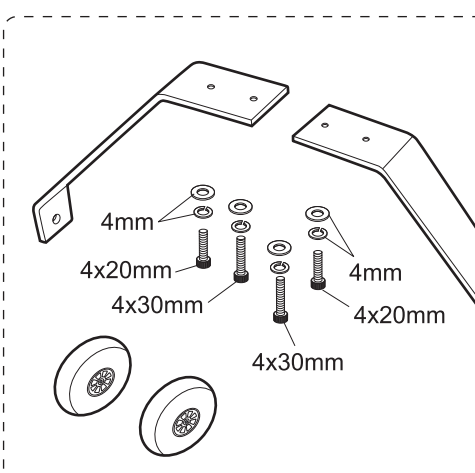
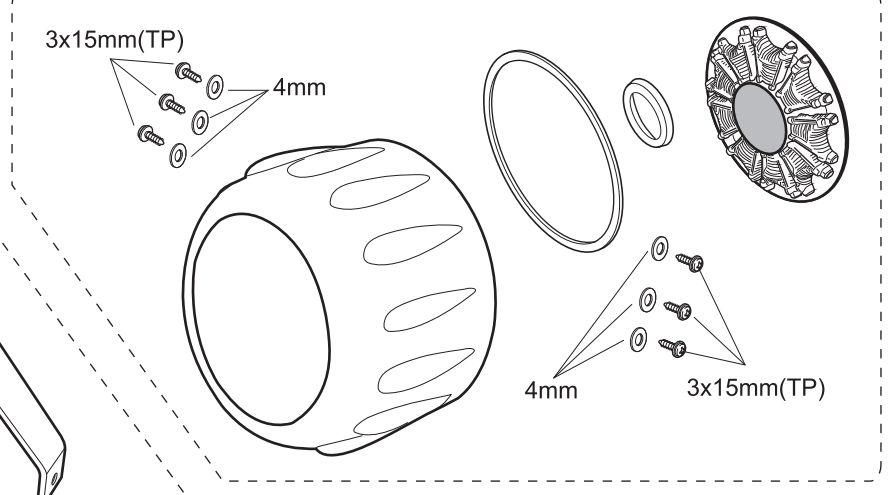
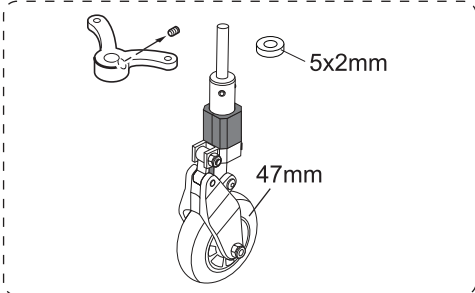
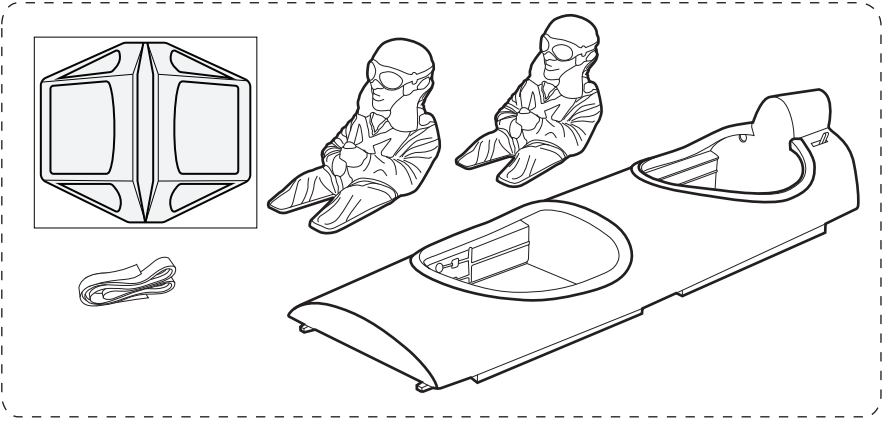
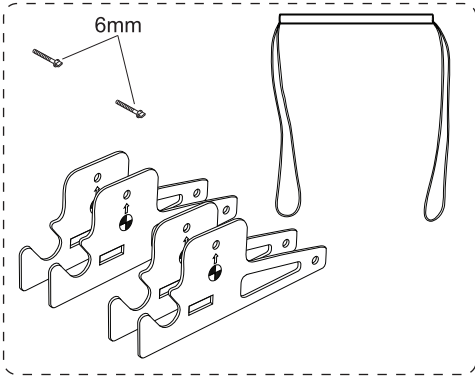
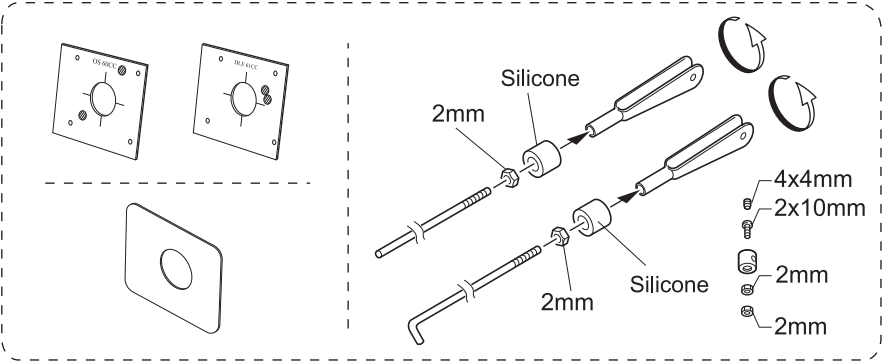
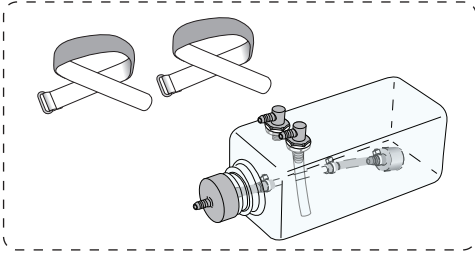
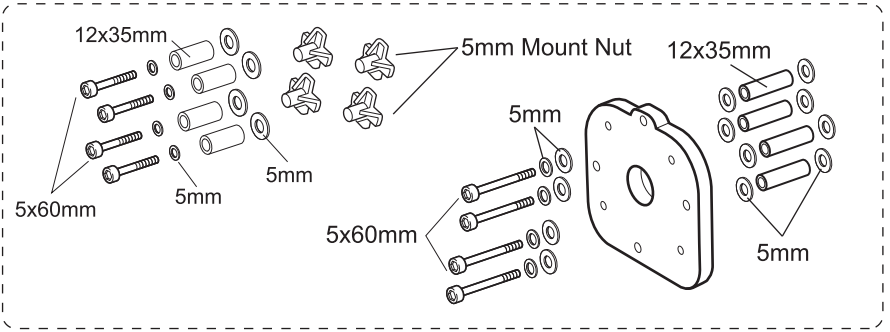
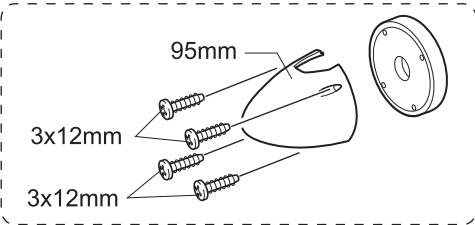
ORACCOVER



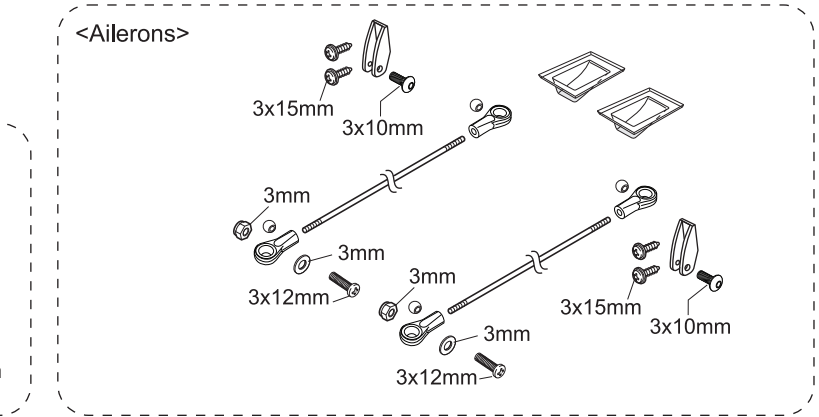
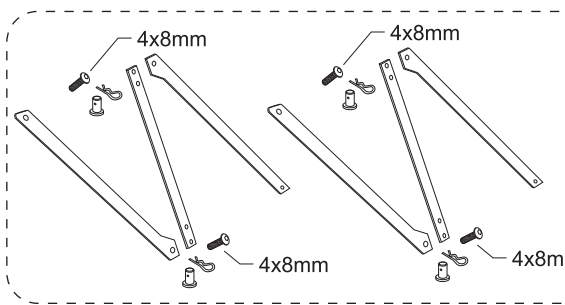
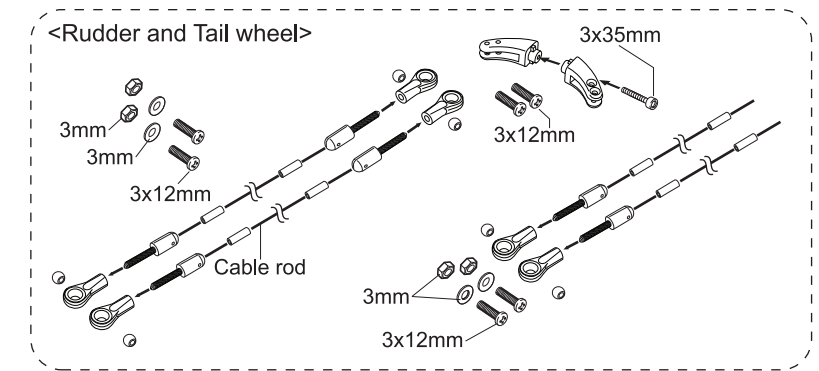
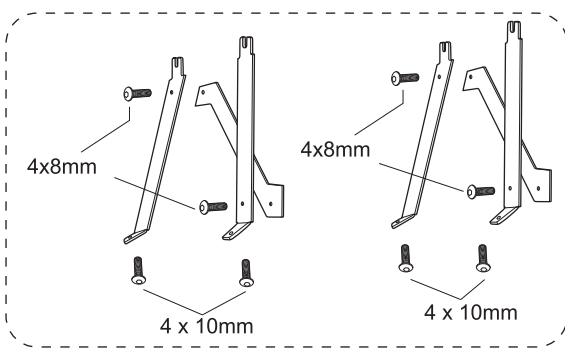
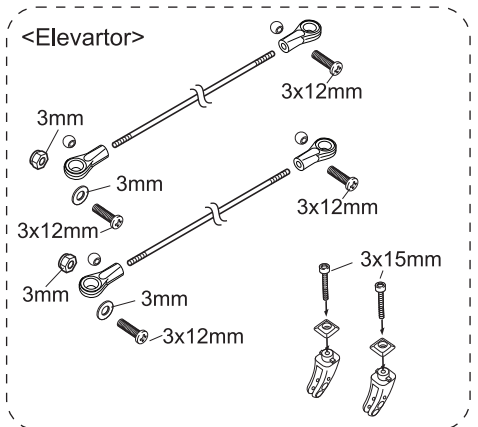
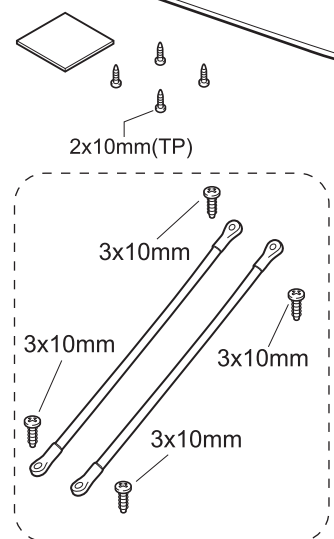
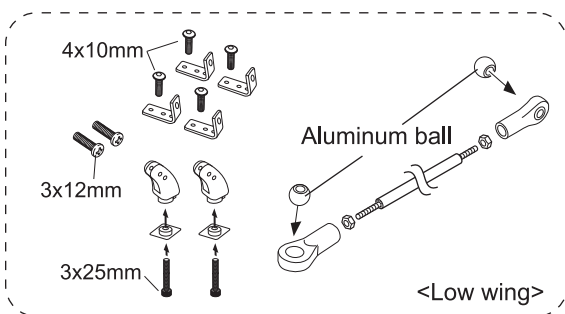
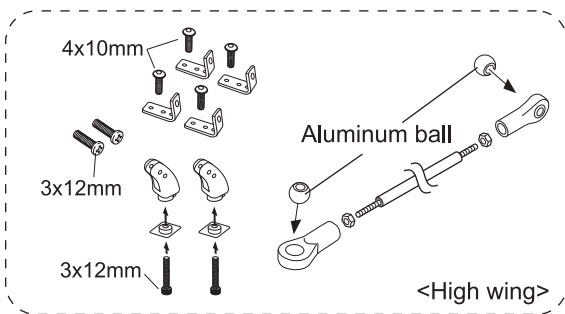
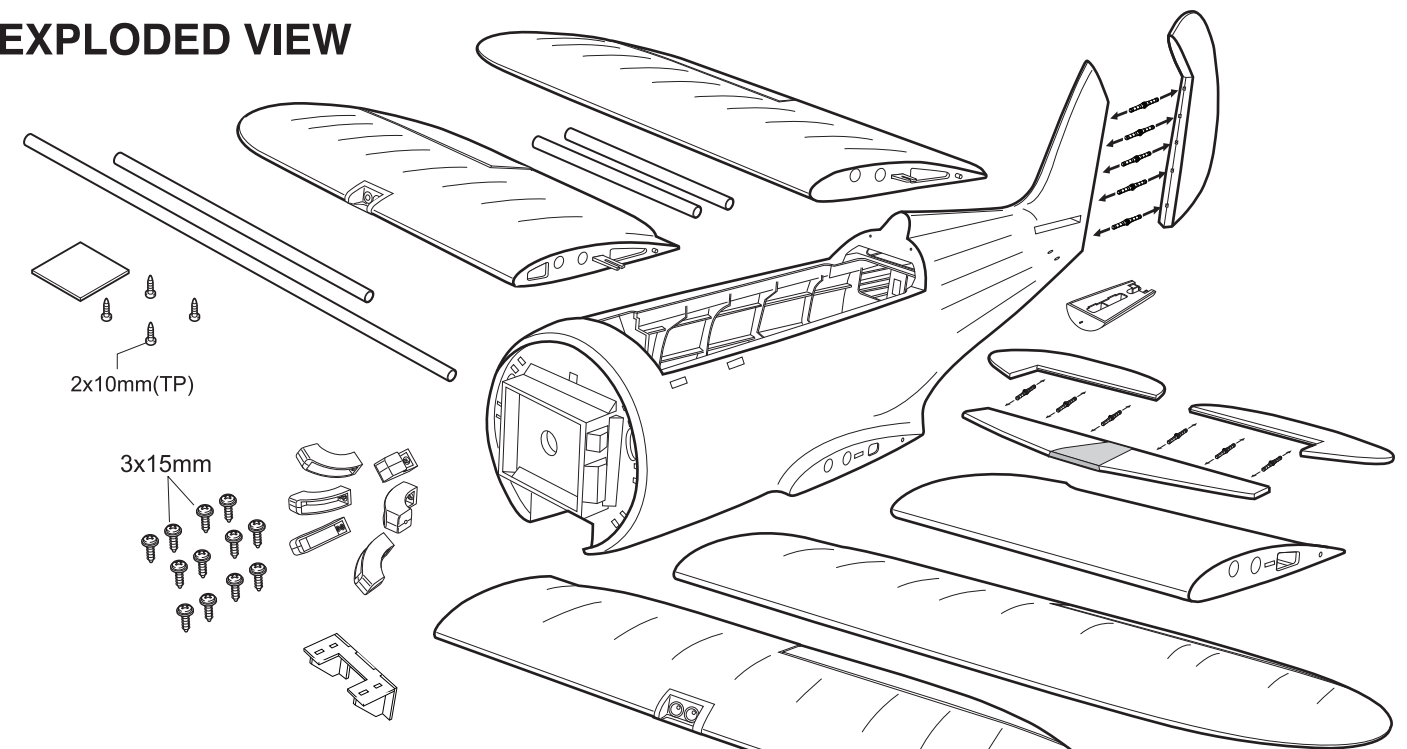
#023 - Ferrari Red

#10 - White

EXPLODED VIEW



EXPLODED VIEW



I/C FLIGHT GUIDELINES

