



Datasheet

Rpm range: 26.000 -80.000 1/min
 Thrust range: 28-500N
 Specific fuel consumption: **0,151** kg/Nh (SFC)
 EGT: 480-750°C
 Mass flow: 0.90kg/s
 Power output (thrust): 134,5kW
 Fuel: Jet A1/Diesel mixed with 3-5% JetCat oil mixed to fuel
 Fuel consumption: 300-1550 ml/min
 Ignition system: Direct kerosene start
 Weight: ~4900g
 Diameter engine: 175mm
 Power supply: 10-35VDC
 Electrical connectors: 1x data , 1x power connectors
 Integrated: ECU, Fuel pump, 2x solenoids, post fuel filter, ignition system, EGT probe
 Warentarifnummer/TARIC: **84111100**
 (All data at ISA conditions)

Applications:

Propulsion of radio-controlled model aircraft / industrial propulsion applications

Notes:

Engine is available in different setups:

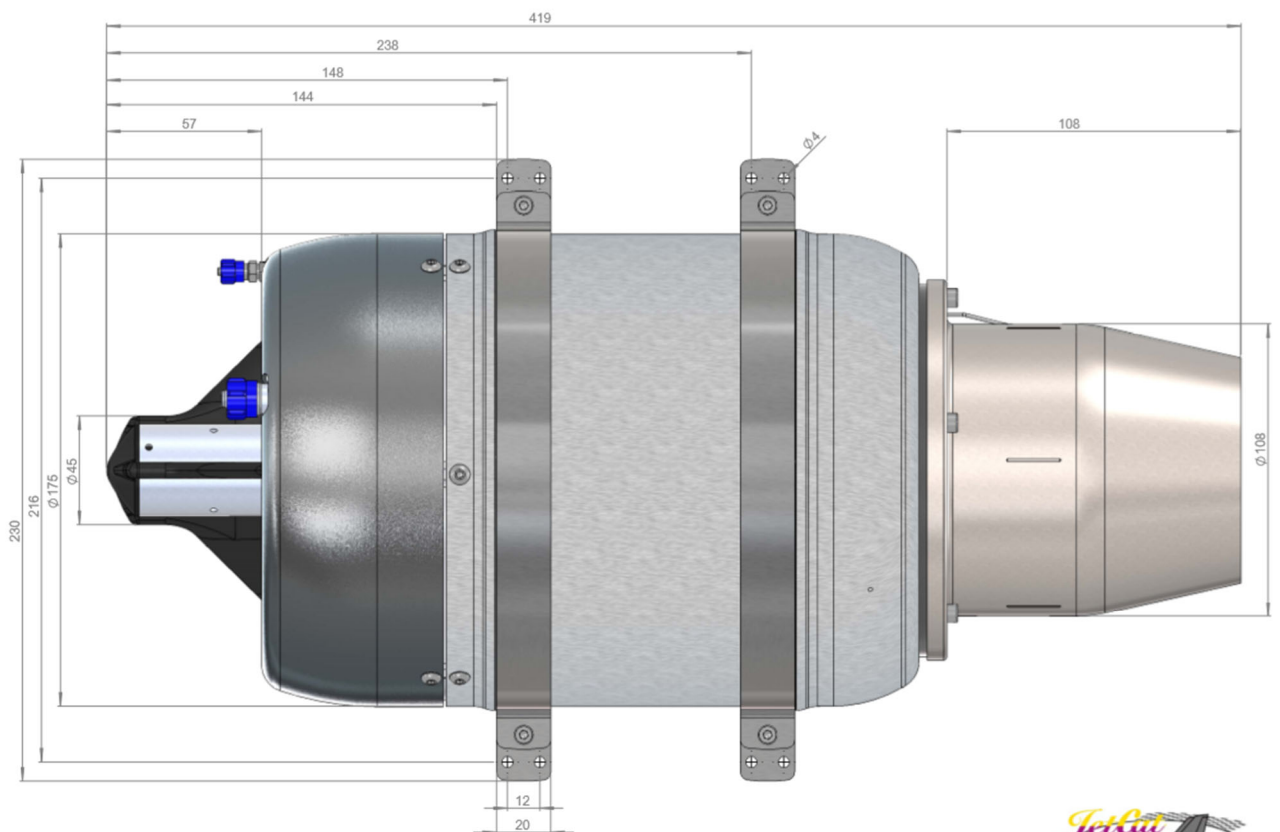
- Different nozzle length available to support easier integration depending on installation situation. This allows to remove or shorten tail pipes in many cases.
- Different styles of fuel inlet ports and connectors are standard options available.

Article numbers (standard versions):

Engine part number	Set part number	Comment	Descriptor
61155-0075	71155-0075	Maritime version, no generator	P500-PRO-M
61155-0069	71155-0069	Low power generator	P500-PRO-GL
61155-0071	71155-0071	High power generator	P500-PRO-GH
61155-0077	71155-0077	No generator	P500-PRO



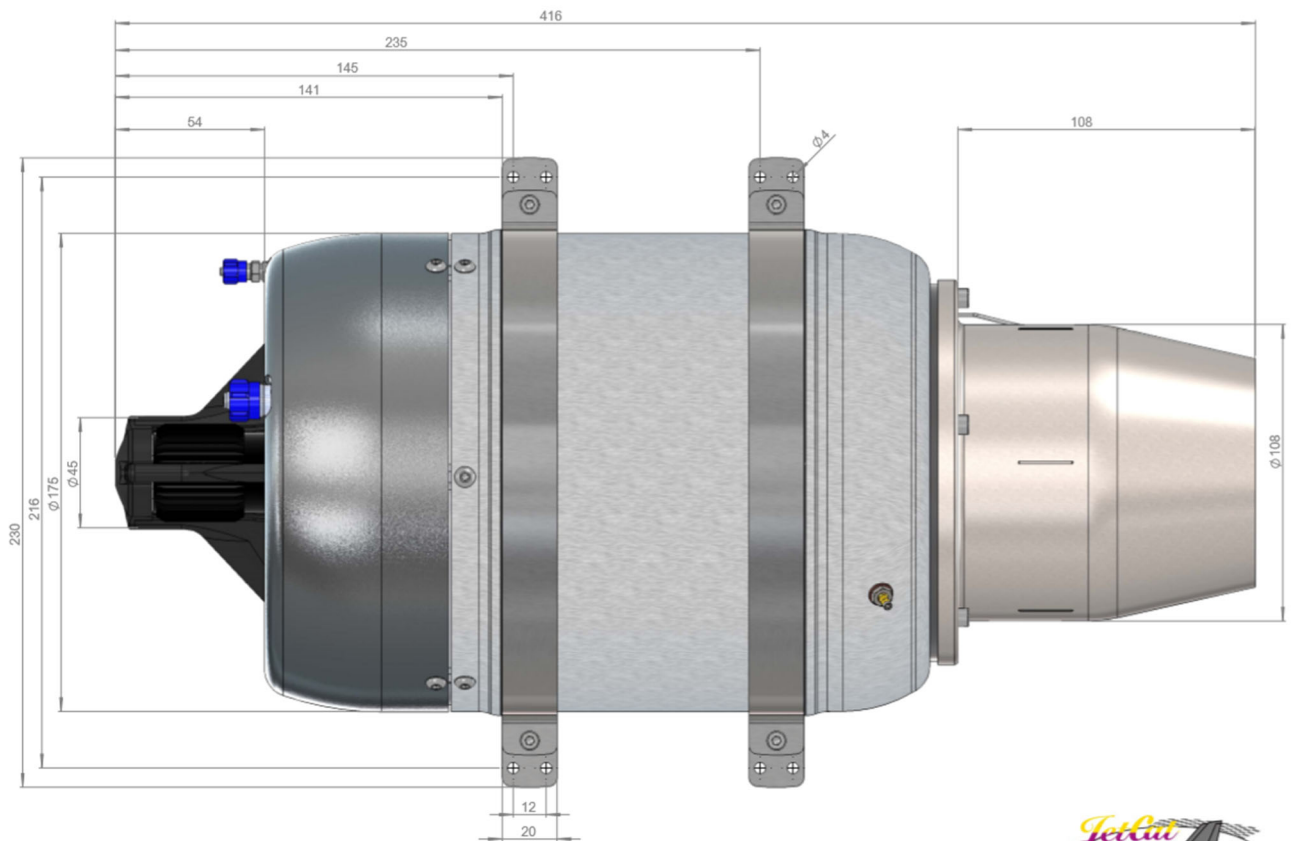
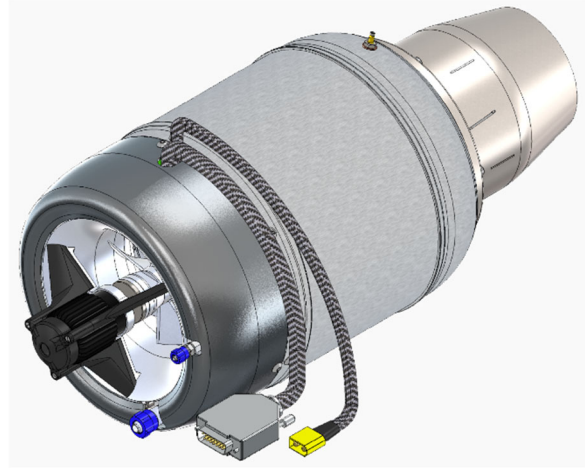
P500-PRO-(M/GL), Drawings/ pictures



© 2017 Dimensions: P550-PRO-GL



P500-PRO-GH, Drawings/ pictures



© 2017 Dimensions: P550-PRO-GH



P550-PRO

