

Bristell B23



Instruction Manual / Návod ke stavbě / Bauanleitung / Návod na stavbu

PRECAUTIONS:

This R/C model is not a toy. Use it with care and strictly following the instructions in this manual.
Assemble this model following strictly these instructions. DO NOT modify or alter the model. Failure to do so, the warranty will lapse automatically. Follow the instructions in order to obtain a safe and solid model at the end of the assembly. Children under the age of 14 must operate the model under the supervision of an adult.
Assure that the model is in perfect conditions before every flight, taking care that all the equipment works correctly and that the model is undamaged in its structure.
Fly only in days with light breeze and in a safe place away from any obstacles.

UPOZORNĚNÍ:

Tento RC model není hračka. Je určen k provozování osobami staršími 15 let.
Model dokončete a připravte k letu PŘESNĚ podle návodu. Model NEUPRAVUJTE, v opačném případě automaticky ztrácí záruka svoji platnost.
Model provozujte opatrně a ohleduplně, důsledně se řiďte pokyny v tomto návodu.
Před každým letem se ujistěte, že model je v prvotřídním stavu, dbejte, aby všechny části pracovaly správně, a model nebyl poškozený.
S modelem létajte na vhodnej ploše bez překážek, stromů, elektrických vedení apod. Vyhlédajte bezpečné místo, mimo cesty a veřejné komunikace, dbejte na bezpečnost přihlížejících diváků.

VORSICHTSMAßNAHMEN:

Dieses R/C Modell ist kein Spielzeug. Benutzen Sie es mit Vorsicht und halten.
Sie sich an die Anweisungen in dieser Anleitung. Bauen Sie das Modell gemäß der Anleitung zusammen. Modifizieren und verändern Sie das Modell nicht. Bei Nichteinhaltung erlischt die Garantie. Folgen Sie der Anleitung um ein sicheres und haltbares Modell nach dem Zusammenbau zu erhalten.
Kinder unter 14 Jahren müssen das Modell unter Aufsicht eines Erwachsenen betreiben.
Versichern Sie sich vor jedem Flug, dass das Modell in einwandfreiem Zustand ist, dass alles einwandfrei funktioniert und das Modell unbeschädigt ist.
Fliegen Sie nur an Tagen mit leichtem Wind und an einem sicheren Platz ohne Hindernisse.

UPOZORNENIE:

Tento RC model nie je hračka. Je určený na prevádzkovanie osobami staršími ako 14 rokov.
Model dokončite a pripravte k letu PŘESNE podľa návodu. Model neupravujte, v opačnom prípade automaticky stráca záruka svoju platnosť.
Model prevádzkujte opatrne a ohľaduplne, dôsledne sa riadte pokynmi v tomto návode.
Pred každým letom sa uistite, že model je v prvotriednom stave, dbajte, aby všetky časti pracovali správne, a model nebol poškodený.
S modelom lietajte na vhodnej ploche bez prekážok, stromov, elektrických vedení apod. Vyhládajte bezpečné miesto, mimo cesty a verejné komunikácie, dbajte na bezpečnosť prízeraajúcich.



Bristell B23

In 2009 a renowned Czech aircraft designer Milan Bříšťela together with his son Martin founded the BRM AERO Ltd. Their first aeroplane Bristell Classic, an elegant ultra-light low-wing twin-seater with a tricycle undercarriage turned out to be a stunning success (over 600 sold worldwide). The company has continued to grow and expand their line of products since then.

The latest addition is the Bristell B23, a two-seat all-metal low-wing aeroplane with a composite main undercarriage certified according to the EASA CS-23/U.S. 14 CFR (FAR) Part 23. The "full-size" B23 featuring a modern full-glass cockpit and latest avionics is a perfect trainer for flying schools as well as comfortable aeroplane for fun flying and distance travels.

Bristell B23 Specification

Wingspan: 9.274 m
 Length: 6.585 m
 Empty weight: 450 kg
 Max. take-off weight: 750 kg
 Engine: ROTAX® 912S 100 HP
 Range: 1100 km (600 NM)

Visit www.bristell.com/bristell-b23/ for more info.

Bristell B23

V roce 2009 renomovaný letecký konstruktér Milan Bříšťela spolu se svým synem Martinem založili firmu BRM AERO s.r.o. Hned jejich první stroj Bristell Classic, dvoumístný dolnoplošník s tříkolovým předovým podvozkem kategorie ultra-light zaznamenal obrovský úspěch (po celém světě jich létá více než 600) a umožnil pokračovat ve vývoji a výrobě dalších typů.

Nejnovějším přírůstkem je Bristell B23, cvičný dvoumístný dolnoplošník celokovové konstrukce s kompozitovým hlavním podvozkem certifikovaný dle požadavků EASA CS-23/U.S. 14 CFR (FAR) Part 23. „Dospělý“ B23 vybavený moderním „skleněným“ kokpitem a nejnovější avionikou je ideální letadlo pro letecké školy a výcvik základní pilotáže, stejně jako pro leteckou turistiku a létání pro zábavu.

Technické údaje Bristell B23

Rozpětí: 9,274
 Délka: 6,585 m
 Prázdná hmotnost: 450 kg
 Maximální vzletová hmotnost: 750 kg
 Motor: ROTAX® 912S 100 koní
 Dolet: 1100 km

Podrobnosti najdete na www.bristell.com/bristell-b23/

Bristell B23

Im Jahr 2009 hat der renommierte tschechische Konstrukteur für Luftfahrt Milan Bříšťela zusammen mit seinem Sohn Martin die Firma BRM AERO s.r.o. gegründet. Ihr allererstes Flugzeug Bristell Classic, der zweiseitige Tiefdecker mit einem Dreibein-Bugfahrwerk der Kategorie Ultralight war ein großer Erfolg (mehr als 600 davon fliegen weltweit) und ermöglichte die Entwicklung und Produktion weiterer Typen.

Der neueste Zuwachs ist Bristell B23, der zweiseitige Übungstiefdecker mit einer Ganzmetallkonstruktion und einem Komposit-Hauptfahrwerk, der nach EASA CS-23/U.S. 14 CFR (FAR) Part 23 zertifiziert ist. Das echte Flugzeug B23, ausgestattet mit einem modernen Glas-Cockpit und der neuesten Avionik, ist ein ideales Flugzeug für Flugschulen und die Grundausbildung von Piloten, aber auch für Rundflüge und Fliegen zum Spaß.

Technische Angaben Bristell B23

Spannweite: 9,274 m
 Länge: 6,585 m
 Leergewicht: 450 kg
 Maximales Startgewicht: 750 kg
 Motor: ROTAX® 912S 100 PS
 Reichweite: 1100 km

Details finden Sie unter <https://www.bristell.com/bristell-b23/>

Bristell B23

V roku 2009 renomovaný letecký konštruktér Milan Bříšťela spolu so svojim synom Martinom založili firmu BRM AERO s.r.o. Hned ich prvý stroj Bristell Classic, dvojmiestny dolnoplošník s trojkolesovým predným podvozkom kategórie ultra-light zaznamenal obrovský úspech (po celom svete ich lieta viac ako 600) a umožnil pokračovať vo vývoji a výrobe ďalších typov.

Najnovším prírastkom je Bristell B23, cvičný dvojmiestny dolnoplošník celokovovej konštrukcie s kompozitovým hlavným podvozkom certifikovaný podľa požiadaviek EASA CS-23/U.S. 14 CFR (FAR) Part 23. „Dospelý“ B23 vybavený moderným „skleneným“ kokpitom a najnovšou avionikou je ideálne lietadlo pre letecké školy a výcvik základnej pilotáže, rovnako ako pre leteckú turistiku a lietanie pre zábavu.

Technická dáta Bristell B23

Rozpätie: 9,274
 Dĺžka: 6,585 m
 Prázdna hmotnosť: 450 kg
 Maximálna vzletová hmotnosť: 750 kg
 Motor: ROTAX® 912S 100 koní
 Dolet: 1100 km

Podrobnosti nájdete na www.bristell.com/bristell-b23/

Bristell B23

Instruction Manual

INTRODUCTION

Congratulations on your purchase of the semi-scale model of the Bristell B23 two-seat trainer! You are about to start the assembly of a model manufactured from virtually unbreakable EPO (extruded polyolephine) foam powered by a mighty

brushless motor and lightweight LiPo battery. Everybody who has already mastered flying a "full house" trainer - with aileron, elevator, rudder, and throttle control - will enjoy this beautiful semi-scale model.

BEFORE YOU START

1. If you are not an experienced R/C pilot, plan to have a fully competent pilot check your completed model and help you with your first flights. Even though we have tried to provide you with a thorough instruction manual, R/C models are rather complicated and an experienced modeler can quickly check over your model to make sure your first flights are successful.
2. Please assemble your model exactly according to these instructions. Do not attempt to modify or change your model in any way as doing so may adversely change its flying characteristics.
3. Before you begin, please check the entire contents of this kit to make sure that no parts are missing or damaged. This will also help you to become familiar with each component of your plane. If you find that any of the parts

are either missing or damaged, please contact your dealer immediately for replacement.

Note: Your dealer cannot accept kits for return if construction has begun.

4. Trial fit each part before gluing it in place. Make sure you are using the correct part and that it fits well before assembling. No amount of glue can make up for a poor fitting part.
5. The manual contains drawing showing the default position of the Centre of Gravity (CG) and recommended control surface throws. Please note it is essential to keep the recommended CG position for the first flight otherwise the model could be unstable, hard to control or even unable to fly at all! Later you can fine tune the CG position to suit your flying style and skills.

SAFETY PRECAUTIONS AND WARNINGS

- An R/C aeroplane is not a toy! If misused, it can cause serious bodily harm and damage to property. Fly only on a safe place following all instructions and recommendations in this manual. Beware of the propeller! Keep loose items that can get entangled in the propeller away from the spinning propeller, including loose clothing, or other objects such as pencils and screwdrivers. Ensure that yours and other people's hands, and face are kept away from the rotating propeller.
- As the user of this product, you are solely responsible for operating it in a manner that does not endanger yourself and others or result in damage to the product or the property of others. This model is controlled by a radio signal that is subject to interference from many sources outside your control. This interference can cause momentary loss of control so it is advisable to always keep a safe distance in all directions around your model, as this margin will help to avoid collisions or injury.

- Never operate your model with low transmitter batteries.
- Always operate your model in an open area away from power lines, cars, traffic, or people. Avoid operating your model in populated areas where injury or damage can occur.
- Carefully follow the directions and warnings for this and any optional support equipment (chargers, rechargeable batteries, etc.) which you use.
- Keep all chemicals, small parts and anything electrical out of the reach of children.
- Moisture causes damage to electronics. Avoid water exposure to all equipment not specifically designed and protected for this purpose.
- The model is mostly made of plastics - it is not fireproof. It may not be exposed to higher temperatures otherwise severe distortion of the foam airframe or other damage may occur.

SPECIFICATION

Wingspan	1600 mm
Length	1151 mm
Wing area	36,8 dm ²
All-up Weight	2100 g

Motor	C3548-800
ESC	KAVAN R-50SB SBEC
Propeller	10x6" 3-blade

SET CONTENTS

- Almost ready to fly model with the brushless motor, speed controller and

servos installed, instruction manual. (Fig. 1a+1b)

YOU WILL ALSO NEED

- At least six channel RC set, 14.8 V 2600-3300 mAh LiPo flight pack.
- **Regular modeller's tools:** modeller's knife, screwdrivers, pliers, No. 10 spanner, sand paper etc.

- **Glue:** medium or thick cyano, silicone or MS polymer glue.

MODEL ASSEMBLY

1. Trial the fit of the horizontal and vertical tailplane and the fuselage - no glue yet (Fig. 2+3). Double check the parts fit tight and the fin is vertical to the horizontal stabilizer (Fig. 4). If necessary sand the parts to fit.
2. Connect the rudder servo to the extension cable in the fuselage (RUDD) and secure the connectors with a piece of heat shrink tube, bind them together with a dental floss or secure with a strip of sticky tape. Apply medium or rather thick cyano (or clear silicone or MS polymer glue) to the contact area of the fin and attach the fin to the fuselage. (Fig. 2)
3. Connect the elevator servo to the extension cable in the fuselage (ELEV) and secure the connectors with a piece of heat shrink tube, bind them together with a dental floss or secure with a strip of sticky tape. Apply medium or rather thick cyano (or clear silicone or MS polymer glue) to the contact area of the horizontal tailplane assembly and attach it to the fuselage. (Fig. 3)
4. Before the glue sets double check the fin was vertical to the horizontal stabilizer (Fig. 4).
5. Slide the wing halves onto the wing tube joiner; arrange the aileron and

flap servo cables and the LED light cables onto the upper side of the wing. (Fig. 5)

6. Thread the servo and LED light cables into the cockpit and attach the wing to the fuselage. Attach the main undercarriage to the bottom of the wing and secure it together with the wing to the fuselage using two 3.0x40 mm bolts. (Fig. 6)
7. Insert the nose gear into the bracket in the fuselage, remove the canopy. Slide the nose gear arm onto the nose gear wire and secure it with M3.0x10 mm setting screw. (Fig. 7+8+9)
8. Attach the propeller to the prop driver and secure it with the propeller nut with a washer; tighten the nut using No. 10 spanner. (For your safety, you should better leave the propeller installation after your radio is all connected and set and the correct direction of rotation of your motor had been tested.) Secure the spinner using M2.5x22 mm bolt in place (Fig. 10)
9. Attach a strip of a hook-and-loop (the loop part, not supplied in the kit) to the bottom of your flight pack and secure it with the hook-and-loop fasteners to the battery seat in the cockpit. (Fig. 11)

10. Remove the connection board cover and hook up your receiver, servos and ESC following the wiring diagram right. The receiver is to be secured with a strip of double side foam tape or hook-and-loop tape to the rear part of the cockpit. Deploy the antennas so their active parts were square to each other (if you are using a receiver featuring diversity antennas).

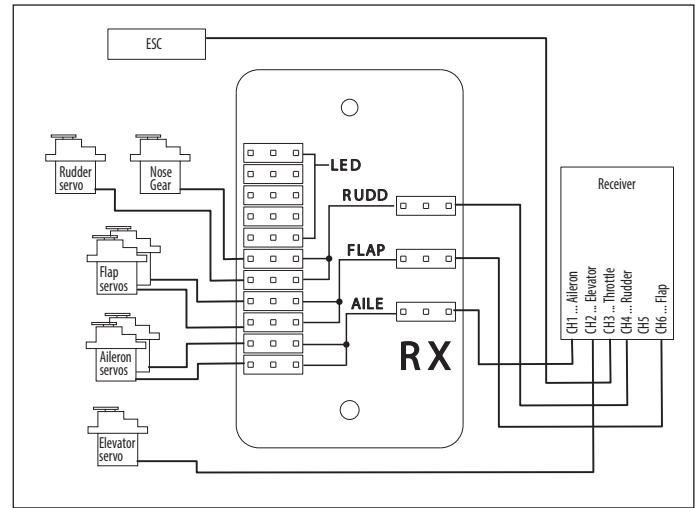
Note: The kit is supplied with the connection board for ailerons, flaps, rudder and the steerable nose gear so you can use even the most basic 6-channel radios to control your Bristell B23. If you intend to use independent control of aileron and flap servos and an advanced computer radio, you will have to replace the default Y-cables with four 25-30 cm extension cables.

The LED lights are only powered via the connection board; they are not remote controlled in any way.

11. With your radio on, set the servos to the neutral position (sticks and trims centred) and fasten the setting screws of the pushrod connectors on the elevator and rudder servo arms. Perform the throttle range calibration of the ESC as described in the attachment of this manual.

12. Attach the canopy.

13. Use medium cyano to glue the dummy antennas (**Fig. 13**) and Pitot tube (**Fig. 14**) in place.



RC SET INSTALLATION AND PREFLIGHT CHECK

- Referring to the instruction manual of your radio carefully hook up the on-board electronics.
- Once everything has been correctly connected, turn on your transmitter and plug in the flight pack. Check the neutral positions and throws of all control surfaces. If you needed to make the control surface throws smaller, simply move the pushrod closer to the centre on the servo arm or move it far from the control surface on the control horn. And vice versa.

Recommended Throws	Low Rate		High Rate	
	Rate	Expo	Rate	Expo
Ailerons	±13 mm	35-40%	±20 mm	40%
Elevator	±13 mm	30-35%	±20 mm	35%
Rudder	±26 mm	25-30%	±40 mm	30%
Flaps	Take-off: -12 mm down / Landing: -30 mm down			

- The "Low Rate" recommended control surface throws are suitable for a less skilled pilot and regular "scalish" flying; the "High Rate" setting allows an

experienced pilot exploring the full capabilities of his model.

- Check the direction of rotation of the propeller. If it was incorrect, simply swap two of the tree wires between the ESC and motor or program the ESC (refer to the ESC manual).
- Check the correct position of the centre of gravity (CG): **75-85 mm** behind the leading edge of the wing (**Fig. 15**). Adjust the CG position by moving the flight pack - if you could not reach the recommended position, do not hesitate to add appropriate amount of lead to the nose or tail. An extra couple of grams won't spoil the flying characteristics - but the incorrect CG position is a killer.
- Fully charge your flight pack and transmitter batteries, check the proper function of your radio and perform the range check of your radio according to its instruction manual. The range has to be almost the same with the motor off and at full throttle (no more than 10% decrease is acceptable). DO NOT try to fly unless the range check is 100% successful.

FLYING

The test flying and fine tuning is pretty much straightforward, there will be no surprise for a medium-advanced pilot that is supposed to fly this model.

APPENDIX

KAVAN R-6B...R-80SB

Programmable Electronic Controllers for Brushless Motors

Congratulation on your purchase of a KAVAN Line electronic controller for brushless motors. The state-of-the-art KAVAN Line covers almost the entire range of electric powered planes flown by a Sunday flyer. All the ESCs can be quickly programmed using your transmitter and even easier with the optional KAVAN Card.

PROGRAMMABLE FUNCTIONS

- Programmable Brake Setting (use the brake on for folding props applications only).
- Programmable Battery Type (LiPo or NiCd/NiMH).
- Programmable Low Voltage Cut-Off Type (power reduction or immediate shut down).
- Programmable Low Voltage Cut-Off Setting.
- Programmable Soft Acceleration Start Ups (for gearbox and helicopter applications).
- Programmable Timing Settings (to enhance ESC efficiency and smoothness).

SPECIFICATION

	BEC Type	Current (A) Cont./Burst	Input Voltage No. of cells	Weight (g)	BEC (Voltage/Current)	Dimensions (mm)
KAVAN R-6B	*BEC	6A\8A	2LiPo	5.5g	5V/0.8A	32x12x4.5
KAVAN R-12B	*BEC	12A\15A	2-3LiPo	9g	5V/1A	38x18x6
KAVAN R-15B	*BEC	15A\20A	2-3LiPo	16.5g	5V/2A	48x22.5x6
KAVAN R-20B	*BEC	20A\25A	2-3LiPo	19g	5V/2A	42x25x8
KAVAN R-30B	*BEC	30A\40A	2-3LiPo	37g	5V/2A	68x25x8
KAVAN R-40B	*BEC	40A\55A	2-3LiPo	39g	5V/3A	68x25x8
KAVAN R-40SB	**SBEC	40A\55A	2-4LiPo	43g	5V/3A	65x25x12
KAVAN R-50SB	**SBEC	50A\65A	2-4LiPo	41g	5V/7A	65x29x10
KAVAN R-60SB	**SBEC	60A\80A	3-6LiPo	63g	5V/7A	77x35x14
KAVAN R-80SB	**SBEC	80A\100A	3-6LiPo	82g	5V/7A	86x38x12

*) BEC - linear BEC

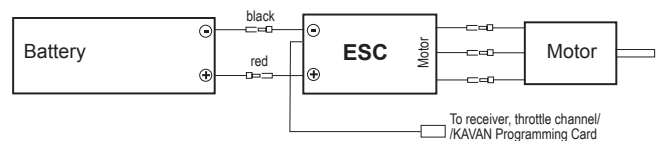
**) SBEC - powerfull switching BEC

CONNECTING THE KAVAN ESC

The speed controller can be connected to the motor by soldering directly or with high quality connectors. Always use new connectors, which should be soldered carefully to the cables and insulated with heat shrink tube. Use only high quality connectors to connect the ESC to the flight pack as well - 2 mm gold plated connectors (Pelikan Daniel #7939 or #7940) for currents up to 20A; 3.5 mm (#7941), 4 mm (#7946) gold plated connectors or DEAN-T (#7949) for currents up to 60A and 6 mm (#7945) for currents up to 80A. The maximum length of the battery pack wires should be within 15 cm (6 inches).

Plug the UNI servo connector cable of the ESC to your receiver throttle output. The ESCs featuring BEC or SBEC voltage stabilizer will feed your receiver and servos from the flight battery pack.

KAVAN ESC Wiring Diagram



Please bear in mind improper polarity or short circuit will damage the ESC therefore it is your responsibility to double check all plugs for proper polarity, and proper connection BEFORE connecting the battery pack for the first time.

POWERING UP FOR THE FIRST TIME & THE AUTOMATIC THROTTLE CALIBRATION

The KAVAN ESC features Automatic Throttle Calibration to ensure the smoothest throttle response and resolution throughout the entire throttle range of your transmitter. This step has to be performed just once to allow the ESC to "learn and memorize" the throttle output signal of your transmitter. It only needs to be repeated if you changed your transmitter.

- Switch on the transmitter, move throttle stick to the top position.
- Connect battery pack to the ESC, and wait for about 2 seconds.
- The "Beep-Beep-" tone should be emitted, means the top point of throttle range has been confirmed.
- Move throttle stick to the bottom position, several "beep-" tones should be emitted to present the amount of battery cells.
- A long "Beep-" tone should be emitted, means the lowest point of throttle range has been correctly confirmed.

The throttle has been calibrated now and your ESC is ready for operation.

NORMAL ESC START-UP PROCEDURE

- Move throttle stick to bottom position and then switch on transmitter.
- Connect battery pack to ESC, special tone like "J123" means power supply is OK.
- Several "beep-" tones should be emitted to present the amount of lithium battery cells.
- When self-test is finished, a long "beep-----" tone should be emitted.
- Slowly move the throttle stick up, the prop should start to rotate clockwise (looking from the cockpit of the plane). If it spins in the opposite direction, pull the throttle stick back, disconnect the flight battery and swap any two of the three cables between the motor and the ESC. The re-check again.

PROTECTION FUNCTION

- 1. Start up failure protection:** If the motor fails to start within 2 seconds of throttle application, the ESC will cut-off the output power. In this case, the throttle stick MUST be moved to the bottom again to restart the motor. (Such a situation happens in the following cases: The connection between ESC and motor is not reliable, the propeller or the motor is blocked, the gearbox is damaged, etc.)
- 2. Over-heat protection:** When the temperature of the ESC is over about 110 Celsius degrees, the ESC will reduce the output power.
- 3. Throttle signal loss protection:** The ESC will reduce the output power if throttle signal is lost for 1 second, further loss for 2 seconds will cause the output to be cut-off completely.

PROGRAMMABLE FUNCTIONS OF THE KAVAN ESC

1. Brake: ON/OFF

ON - Sets the propeller to the brake position when the throttle stick is at the minimum position (Recommended for folding props).

OFF - Sets the propeller to freewheel when the throttle stick is at the minimum position.

2. Battery type: LiPo or NiCd/NiMH

3. Low Voltage Cutoff Type: Reduce Power / Hard Cut-off

Reduce Power - ESC reduces motor power when the preset Low Voltage Protection Threshold value is reached.

Hard Cut-off - ESC instantly cuts motor power off when the preset Low Voltage Protection Threshold value is reached

4. Low Voltage Protection Threshold: (Low / Medium / High)

1) For Li-xx packs - the battery cell number is calculated automatically. Low / Middle / High cutoff voltage for each cell is: 2.85V/3.15V/3.3V. For example: For a 3S Lipo, when "Middle" cutoff threshold is set, the cut-off voltage will be: $3.15 \times 3 = 9.45V$.

2) For Ni-xx packs - low / medium / high cutoff voltages are 0%/50%/65% of the startup voltage (i.e. the initial voltage of battery pack), and 0% means the low voltage cut-off function is disabled. For example: For a 6 cells NiMH battery, fully charged voltage is $1.44 \times 6 = 8.64V$, when "Middle" cut-off threshold is set, the cut-off voltage will be: $8.64 \times 50\% = 4.32V$.

5. Soft Acceleration Start up: Normal / Soft / Very Soft

Normal mode is suitable for fixed-wing aircraft. Soft or Very Soft modes are suitable for helicopters. The initial acceleration of the Soft and Very Soft modes are slower, it takes 1.5 second for Soft startup or 3 seconds for Very Soft startup from initial throttle advance to full throttle. If the throttle is completely closed (throttle stick moved to bottom position) and opened again (throttle stick moved to top position) within 3 seconds after the first startup, the re-startup will be temporarily changed to normal mode to get rid of the chance of a crash caused by slow throttle response. This special design is suitable for aerobatic flight when quick throttle response is needed.

6. Timing setup: Low / Middle / High

Low (3.75°) - Setting for most 2 pole motors.

Middle (15°) - setting for motors with 6 or more poles.

High (26.25°) - setting for motors with 12 or more poles, outrunners

In most cases, middle or low timing works well for all types of motors. However for high efficiency we recommend the Low timing setting for 2 pole motors (generally, in-runners) and middle timing for 6 poles and above (generally all outrunners). For higher speed, High timing can be set. Some motors require different timing setups therefore we suggest you to follow the manufacturer recommended setup.

Note: Run your motor on the ground first after making any changes to your motor timing!

PROGRAMMING THE KAVAN ESC WITH YOUR TRANSMITTER

2. Select programmable items
After entering program mode, you will hear 8 tones in a loop with the following sequence. If you move the throttle stick to bottom within 3 seconds after one kind of tones, this item will be selected.

1. "beep"	(1 short tone)
2. "beep-beep"	(2 short tone)
3. "beep-beep-beep"	(3 short tone)
4. "beep-beep-beep-beep"	(4 short tone)
5. "beep-----"	(1 long tone)
6. "beep-----beep"	(1 long 1 short)
7. "beep-----beep-beep"	(1 long 2 short)
8. "beep-----beep-----"	(2 long tone)

Note: 1 long "beep-----" = 5 short "beep"

1. Enter program mode
1) Switch on transmitter, move the throttle stick to top position, connect the battery packs to ESC
2) Wait for 2 seconds, the motor should emit special tone like "beep-beep"
3) Wait for another 5 seconds, special tone like "J56712" should be emitted, which means program mode is entered

3. Set item value (Programmable value)
You will hear several tones in loop. Set the value matching to a tone by moving throttle stick to top when you hear the tone, then a special tone "J1515" emits, means the value is set and saved. (Keeping the throttle stick at top, you will go back to Step 2 and you can select other items; or moving the stick to bottom within 2 seconds will exit program mode directly).

Function	"beep" 1 short tone	"beep-beep" 2 short tones	"beep-beep-beep" 3 short tones
1. Brake	OFF	ON	
2. Battery Type	Li-xx	Ni-xx	
3. Cutoff Type	Soft-Cut	Cut-Off	
4. Cutoff Voltage	Low	Middle	High
5. Start Mode	Normal	Soft	Very Soft
6. Timing Mode	Low	Middle	High

4. Exit program mode
There are 2 ways to exit program mode:
1. In step 3, after special tone "J1515", please move throttle stick to the bottom position within 2 seconds.
2. In step 2, after tone "beep-----" (that is: The item #8), move throttle stick to bottom within 3 seconds.

USING THE KAVAN PROGRAMMING CARD (OPTIONAL)

You can also use the optional KAVAN programming card to program your desired function. The use of the KAVAN card is very simple and convenient: the programmable function and their values are to be set with a couple of buttons. Simply set all the functions on the card to the values corresponding to the desired values and load the settings to the ESC. Programming your ESC with the KAVAN Card is a breeze!

TROUBLESHOOTING

Trouble	Possible Reason	Solution
After power on, motor does not work, no sound is emitted.	The connection between battery pack and ESC is not correct	Check the power connection. Replace the connector.
After power on, motor does not work, such an alert tone is emitted: "beep-beep-, beep-beep-,beep-beep-" (Every "beep-beep-" has a time interval of about 1 second).	Input voltage is abnormal, too high or too low.	Check the voltage of battery pack.
After power on, motor does not work, such an alert tone is emitted: "beep-, beep-, beep-" (Every "beep-" has a time interval of about 2 seconds).	Throttle signal is irregular.	Check the receiver and transmitter. Check the cable of throttle channel.
After power on, motor does not work, such an alert tone is emitted: "beep-, beep-, beep-" (Every "beep-" has a time interval of about 0.25 second).	The throttle stick is not in the bottom (lowest) position.	Move the throttle stick to bottom position
After power on, motor does not work, a special tone "J56712" is emitted after 2 beep tone (beep-beep-).	Direction of the throttle channel is reversed, so the ESC has entered the program mode.	Set the direction of throttle channel correctly.
The motor runs in the opposite direction.	The connection between ESC and the motor need to be changed.	Swap any two wire connections between ESC and motor.

SAFETY PRECAUTIONS

- Do not install the propeller (fixed wing) or drive pinion (helicopter) on the motor when you test the ESC and motor for the first time to verify the correct settings on your radio. Only install your propeller (plane) or pinion (heli) after you have confirmed that the settings on your radio is correct.
- Never use ruptured or punctured battery cells.
- Never use battery packs that are known to overheat.
- Never short circuit battery or motor terminals.
- Always use proper insulation material for cable insulation.
- Always use proper cable connectors.
- Do not exceed the number of cells or servos specified for the ESC.
- Wrong battery polarity will damage the ESC and void the warranty.
- Install the ESC in a suitable location with adequate ventilation for cooling. This ESC has a built-in over temperature cutoff protection feature that will immediately cut power to the motor once the ESC temperature exceeds the 230° F/ 110° C temperature limit.
- Use only batteries that are supported by the ESC and ensure the correct polarity before connecting.
- Switch your transmitter ON first and ensure the throttle stick is in the minimum position before connecting the battery pack.
- Never switch your transmitter OFF while the battery is connected to your ESC.
- Only connect your battery pack just before flying and do not leave your battery pack connected after flying.
- Handle your model with extreme care once the battery pack is connected and keep away from the propeller at all times. Never stand in-line or directly in front of any rotating parts.
- Do not immerse the ESC under water, do not allow it to get wet while powered up.
- Always fly at a designated flying site and follow the rules and guidelines set by your modeler's club.

Bristell B23

Návod ke stavbě

ÚVOD

Blahopřejeme vám k zakoupení polomakety dvoumístného cvičného letadla Bristell B23. Stali jste se majiteli modelu s konstrukcí z takřka nerozbitného pěnového EPO (extrudovaný polyolefin) poháněného výkonným střídavým mo-

torem napájeným z LiPo akumulátorů. Každý, kdo již zvládá létání s modelem s křídélky, si stoprocentně užije pilotáž této elegantní polomakety se solidními akrobatickými schopnostmi!

JEŠTĚ NEŽ ZAČNETE

1. Pokud zatím nejste zkušený pilot RC modelů, začněte vyhledávat zkušeného modeláře, který před prvním vzletem zkontroluje váš nový model, zalétá jej a vytrímuje a poskytne vám pomoc během prvních letů. RC modely jsou přece jen poněkud složité, a zkušený modelář může rychle prověřit váš model - a vy získáte jistotu, že úspěchu prvních letů nestojí nic v cestě.
2. Prosíme, model sestavujte přesně podle návodu. Nepokoušejte se model jakýmkoliv způsobem upravovat nebo měnit, protože tím můžete způsobit zhoršení jeho letových vlastností. Pokud provedete jakékoliv úpravy, které nejsou v souladu s tímto návodem, činíte tak výhradně na svoji vlastní odpovědnost.
3. Než začnete, prosím, zkontrolujte celý obsah stavebnice podle návodu, abyste měli jistotu, že žádná část nechybí nebo není poškozena. Při rozbalování postupujte, opatrně, nic zbytečně neroztrhávejte a nerozřezávejte - nepočínejte si, prosím, jako netrpělivá novomanželka při rozbalování svatebních darů. Tímto způsobem se také lépe seznámíte se všemi částmi modelu. Pokud zjistíte, že nějaký díl chybí nebo je poškozený, prosím, neprodleně kontaktujte prodejce, u kterého jste model zakoupili. Poté, co si stavebnici odnesete domů a začnete se s ní podrobněji seznamovat, může se vám stát, že z nějakého důvodu ztratíte původní nadšení

a elán - model může být třeba příliš velký, jeho stavba se může ukázat zžitější a časově náročnější, než jste čekali. To se může stát každému. V tom případě, prosím, nepokračujte dále. Pokud budete schopni model vrátit v původním, úplném a neporušeném stavu, nebude vám prodejce činit potíže při jeho vrácení nebo výměně za jiný. Mějte, prosím, na paměti, že jakmile model začnete stavět, prodejce jej již nemůže jednoduše vzít zpět.

4. Návod obsahuje zřetelně vyznačenou polohu těžiště a doporučené výchylky velikosti výchylek ovládacích ploch. Dodržení správné polohy těžiště je naprosto zásadní podmínkou pro to, aby byl model ovladatelný a letuschopný. Správnou polohu je nutno bezpodmínečně dodržet. Pro první vzlet model zkompletujte tak, aby těžiště odpovídalo údajům v návodu - to je bezpečná hodnota pro zkušeného pilota, který je seznámen s chováním modelu v plném rozsahu běžných letových rychlostí. Těžiště více vpředu znamená model „hodněšší“, stabilnější a snáze ovladatelný. Zadní poloha těžiště značí model „živější“, s menší stabilitou, s rychlejšími reakcemi na řízení a celkově náročnější na ovládání - proto je vhodné začít s přední polohou těžiště, a teprve poté, co s pilotáží modelu seznámíte a sjižete, můžete začít experimentovat.

ZÁSADY BEZPEČNÉHO PROVOZU

- Jakožto vlastník tohoto výrobku jste výhradně zodpovědný za to, že je provozován způsobem, kterým neohrožujete sebe ani ostatní, ani nevede k poškození výrobku nebo jiným škodám na majetku. Model je ovládán prostřednictvím vysokofrekvenčního signálu, který může podléhat rušení z vnějších zdrojů mimo vaši kontrolu. Nikdy také nelze zcela vyloučit možnost nějaké závady na modelu nebo pilotážní chyby, takže je vhodné vždy létat s modelem tak, aby se všech směrech nacházel v bezpečné vzdálenosti od okolních předmětů a osob, protože tato vzdálenost pomůže zabránit zranění nebo škodám na majetku.
- Vždy se řiďte návodem, abyste si mohli užívat bezpečný a spolehlivý model.
- Pozor na otáčející se vrtuli! Zabraňte jejímu kontaktu s volnými předměty, které by se mohly namotat - např. volné části oděvu - nebo s dalšími předměty, jako jsou tužky, šroubováky atd.. Dbejte, aby otáčející se vrtule byla v bezpečné vzdálenosti od prstů a obličejů - vašeho i ostatních lidí a zvířat.

- Pokud s modelem nelétáte, neponechávejte pohonný akumulátor připojený. Regulátor i při staženém plynu odebírá určitý proud, který by při déletrvajícím připojení (hodiny, dny) mohl způsobit hluboké vybití pohonného akumulátoru s rizikem jeho zničení a možností vzniku požáru.
- Udržujte všechny chemikálie, malé části modelu a veškerá elektrická zařízení mimo dosah dětí.
- Voda a vlhkost mohou způsobit poškození elektroniky. Zabraňte působení vody na všechno vybavení, které není speciálně navrženo a vyrobeno jako odolné vůči tomuto působení.
- Model je zhotoven v převážně většině z plastů; není nehořlavý. Model nesmí být vystaven působení vyšších teplot (v blízkosti zdrojů tepla, na přímém slunci, v uzavřeném interiéru auta apod.), jinak hrozí nebezpečí zdeformování pěnového draku modelu nebo jiné škody.

ZÁKLADNÍ TECHNICKÉ ÚDAJE

Rozpětí	1600 mm
Délka	1151 mm
Plocha křídla	36,8 dm ²
Hmotnost	2100 g

Motor	C3548-800
Regulátor	KAVAN R-50SB SBEC
Vrtule	10x6" 3-listá

OBSAH SADY

- 100% osazený, pouze krátkou montáž vyžadující model (serva, střídavý motor, regulátor otáček, vrtule), návod ke stavbě (Obr. 1a+1b)

PRO DOKONČENÍ MODELU JEŠTĚ BUDETE POTŘEBOVAT

- Nejméně sedmikanálový vysílač a přijímač, pohonný akumulátor LiPo 14,8 V 2600-3300 mAh.
- Běžné modelářské nářadí - modelářský nůž, šroubováky, kleště, plochý klíč

- č. 10, brusný papír atd.
- Lepidla: střední nebo husté vteřinové lepidlo nebo lepicí tmel (silikonový nebo MS polymerový).

STAVBA MODELU

1. Zatím na sucho, bez lepení zasuňte svislou a vodorovnou plochu do výřezů v trupu (viz obr. 2+3). Ujistěte se, že díly dobře lícují a vodorovná a svislá ocasní plocha jsou navzájem kolmé (obr. 4). Je-li třeba, díly opatrně zabruste.
2. Kabel serva směrovky propojte s prodlužovacím kabelem v trupu (RUDD) a konektory zajistěte smršťovací bužírkou, převázáním dentální nití nebo přelepením samolepicí páskou. Na styčnou plochu na kýlovce naneste střední nebo raději husté vteřinové lepidlo popř. čirý lepicí tmel a svislou ocasní plochu usadte na místo. (Obr. 2)
3. Kabel serva výškovky propojte s prodlužovacím kabelem v trupu (ELEV) a

4. konektory zajistěte smršťovací bužírkou, převázáním dentální nití nebo přelepením samolepicí páskou. Na styčnou plochu naneste střední nebo raději husté vteřinové lepidlo popř. čirý lepicí tmel a vodorovnou ocasní plochu usadte na místo. (Obr. 3)
4. Ještě před vytvrzením lepidla znovu zkontrolujte, že vodorovná a svislá ocasní plocha jsou navzájem kolmé. (Obr. 4)
5. Poloviny křídla nasuňte na trubkovou spojku; kabely serv křídélek, klapky a LED světel vyvedte na horní stranu křídla. (Obr. 5)
6. Kabely serv a LED světel zaveďte do trupu do prostoru kabiny a křídlo usadte

na trup. Na křídlo umístěte hlavní podvozky a spolu s křídlem jej upevněte k trupu dvěma samořeznými šrouby 3,0x40 mm. **(Obr. 6)**

7. Příďovou nohu zasuňte do konzole v trupu, sejměte kryt kabiny, na vyčnívající konec nasadte ovládací páku a zajistěte ji stavěcím šroubem M3x10 mm. **(Obr. 7+8+9)**

8. Na hřídel našeče nasadte vrtuli a zajistěte ji maticí s podložkou, kterou pevně dotáhněte klíčem č. 10. (Z bezpečnostních důvodů je ale vhodnější ponechat montáž vrtule až nakonec, když po zapojení RC soupravy ověříte, že se motor otáčí ve správném směru.) Kužel vrtule upevněte pomocí šroubu M2,5x22 mm. **(Obr. 10)**

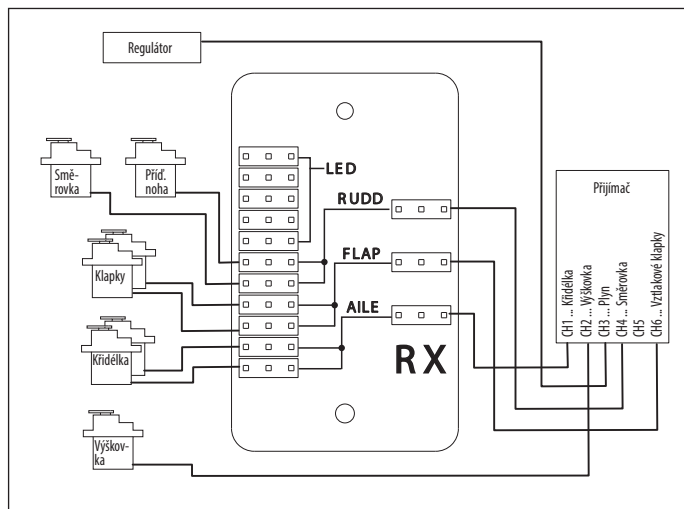
9. Na spodní stranu vašeho akumulátoru nalepte pásek suchého zipu (část se smýčkami; není součástí stavebnice) a akumulátor upevněte pásky suchého zipu v prostoru kabiny. **(Obr. 11)**

10. Sejměte kryt zapojovací desky a váš přijímač zapojte dle schématu vpravo. Přijímač s připojenými servy a regulátorem otáček upevněte v zadní části kabiny pomocí pásky samolepícího suchého zipu nebo oboustranné samolepící pásky s pěnovou vrstvou a antény umístěte tak, aby jejich aktivní části byly na sebe navzájem kolmé (máte-li přijímač s diverzními anténami).

Pozn.: Ve výchozím provedení se serva křidélek, klapek, směrovky a příďové nohy připojují do přijímače pomocí speciální zapojovací desky nainstalované v modelu, což umožňuje pro ovládání modelu používat i ty nejjednodušší šestikanálové RC soupravy. Pokud chcete používat nezávislé ovládání křidélek a klapek, jaké umožňují pokročilejší počítačové RC soupravy, je zapojovací desku nutno nahradit čtyřicí 25-30 cm prodlužovacích kabelů.

LED světla jsou pouze napájena ze zapojovací desky; nejsou nijak dálkově ovládána. **(Obr. 12)**

11. Zapněte vysílač, ovladač plynu stáhněte zcela dolů - teprve potom můžete



připojit pohonný akumulátor k regulátoru otáček. Provedte kalibraci rozsa-
hu plynu regulátoru otáček dle návodu k jeho obsluze v příloze. Se všemi
ovladači a trimy v neutrálu nastavte do středové polohy všechna kormidla.

12. Nasadte kryt kabiny.

13. Středním vteřinovým lepidlem přilepte makety antén **(obr. 13)** a Pitotovy
trubice **(obr. 14)**.

INSTALACE RC SOUPRAVY A PŘÍPRAVA K LETU

- Při instalaci a zapojování palubní RC soupravy se řiďte návodem k její obsluze.
- Po úplném sestavení modelu zapojte palubní RC vybavení a přezkoušejte činnost serv - správný smysl a velikost výchylek. Pokud má některé kormidlo příliš velké výchylky, posuňte táhlo na páce serva blíže ke středu - nebo na páce kormidla dále od kormidla. Pokud by naopak výchylka byla příliš malá, postupujte právě opačným způsobem.

Doporučené výchylky	Malé výchylky		Velké výchylky	
	Výchylky	Expo	Výchylky	Expo
Křidélka	±13 mm	35-40%	±20 mm	40%
Výškovka	±13 mm	30-35%	±20 mm	35%
Směrovka	±26 mm	25-30%	±40 mm	30%
Klapky	Vzlet: -12 mm dolů / Přistání: -30 mm dolů			

- Malé výchylky uvedené v tabulce jsou vhodné pro méně zkušené piloty a normální létání. Velké výchylky jsou určeny pro zkušené piloty, kterým umožní naplno využít akrobatické schopnosti modelu.
- Zkontrolujte smysl otáčení vrtule. Pokud by byl nesprávný, prostě mezi sebou

LÉTÁNÍ

Zalétání a vytrhování modelu je bez záležitosti; odpovídá typickým strojům této velikosti a uspořádání - a pro středně pokročilého pilota, jemuž jsou tyto

- prohodte kterékoliv dva z trojice vodičů mezi regulátorem otáček a motorem.
- Zkontrolujte správnou polohu těžiště **(75-85 mm)** - případné změny polohy se snažte dosáhnout změnou polohy pohonných akumulátorů. **(Obr. 15)**
- Pokud by to nestačilo, neváhejte přidat potřebné množství zátěže do příde nebo do ocasu - zatímco pár gramů navíc letové vlastnosti modelu prakticky neovlivní, nesprávnou polohu těžiště model pozná ihned.
- Před prvním vzletem naplno nabijte akumulátory ve vysílači i pohonné pro model, přezkoušejte funkci RC soupravy a proveďte zkoušku dosahu dle návodu k obsluze RC soupravy. Dosah s motorem běžícím na plný plyn nesmí být o mnoho (ne více než 10%) menší, než s motorem vypnutým. Pokud není zkouška dosahu 100% úspěšná, nepokoušejte se o vzlet.
- Pokud nejste zkušeným pilotem RC modelů nebo ještě nemáte větší zkušenosti s daným typem modelů, svěřte raději první let do rukou zkušeného pilota. Není to žádná ostuda - i skutečná letadla zalétávají nejprve zkušení tovární piloti. Pravděpodobně v každém modelářském klubu najdete superzkoušeného pilota, který zalétává modely značné části ostatních členů.

modely určeny, nebude představovat problém.

PŘÍLOHA

KAVAN R-6B...R-80SB

Programovatelné elektronické regulátory otáček pro střídavé motory

Děkujeme vám za zakoupení elektronického regulátoru otáček pro střídavé motory řady KAVAN. Stali jste se majitelem špičkového výrobku ideálního pro použití v rekreačních modelech letadel. Všechny regulátory je možno programovat s pomocí vysílače a ještě snadněji s pomocí programovací karty KAVAN Card.

PROGRAMOVATELNÉ FUNKCE

1. Programovatelná brzda (brzdu doporučujeme používat pouze spolu se sklopnou vrtulí).
2. Volitelný typ akumulátorů (LiPo nebo NiCd/NiMH).
3. Nastavitelný způsob odpojení motoru při poklesu napájecího napětí (snižování výkonu nebo okamžitá odpojení).
4. Nastavitelné mezní napětí pro odpojení motoru, PCO - ochrana proti nadměrnému vybití akumulátorů.
5. Nastavitelný měkký rozběh (pro motory s převodovkou a vrtulníky).
6. Nastavitelné časování (předstih) - pro zvýšení účinnosti a optimální přizpůsobení motoru

TECHNICKÉ ÚDAJE

	Typ BEC	Proud (A) Trv./Špič.	Napájení počet článků	Hmotnost (g)	BEC (Napětí/Proud)	Rozměry (mm)
KAVAN R-6B	*BEC	6A/8A	2LiPo	5.5g	5V/0.8A	32x12x4.5
KAVAN R-12B	*BEC	12A/15A	2-3LiPo	9g	5V/1A	38x18x6

	Typ BEC	Proud (A) Trv./Špič.	Napájení počet článků	Hmotnost (g)	BEC (Napětí/Proud)	Rozměry (mm)
KAVAN R-15B	*BEC	15A/20A	2-3LiPo	16.5g	5V/2A	48x22.5x6
KAVAN R-20B	*BEC	20A/25A	2-3LiPo	19g	5V/2A	42x25x8
KAVAN R-30B	*BEC	30A/40A	2-3LiPo	37g	5V/2A	68x25x8
KAVAN R-40B	*BEC	40A/55A	2-3LiPo	39g	5V/3A	68x25x8
KAVAN R-40SB	**SBEC	40A/55A	2-4LiPo	43g	5V/3A	65x25x12
KAVAN R-50SB	**SBEC	50A/65A	2-4LiPo	41g	5V/7A	65x29x10
KAVAN R-60SB	**SBEC	60A/80A	3-6LiPo	63g	5V/7A	77x35x14
KAVAN R-80SB	**SBEC	80A/100A	3-6LiPo	82g	5V/7A	86x38x12

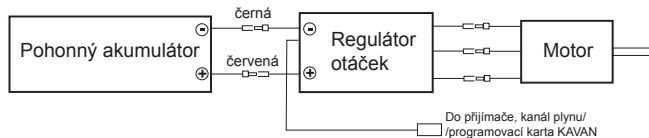
*) BEC - lineární BEC **) SBEC - výkonný spínaný BEC

ZAPOJENÍ REGULÁTORU

Motorové kabely regulátoru je možno ke střídavému motoru upevnit natrvalo pájením nebo pomocí dostatečně dimenzovaných konektorů. Vždy používejte nové konektory, důkladně je připájejte s dostatečným množstvím tavidla a nakonec všechny konektory a pájené spoje zaizolujte smršťovací bužirkou. Pohonný akumulátor se k regulátoru připojuje pomocí kvalitních, dostatečně dimenzovaných konektorů - např. 2 mm zlacené konektory (#7939 nebo #7940) pro proudy do 20A; 3,5 mm (#7941), 4 mm (#7941) zlacené konektory nebo DEAN-T (#7949) pro proudy do 60A a 6 mm (#7945) pro proudy do 80A. Dbejte na dodržení správné polarity (červená (+), černá (-); maximální délka kabelů mezi akumulátorem a regulátorem by neměla překročit 15 cm.

K přijímači se regulátor připojuje pomocí servokablíku do kanálu plynu; stabilizátor napájení BEC prostřednictvím tohoto kablíku zajišťuje napájení přijímače a serv.

Schéma zapojení střídavého regulátoru



Mějte na paměti, že přepólování nebo zkrat poškodí regulátor, takže je na vaší zodpovědnosti dvakrát zkontrolovat, zda mají všechny konektory správnou polaritu a jsou správně zapojeny DŘÍVE, než poprvé připojíte pohonný akumulátor.

PRVNÍ ZAPNUTÍ REGULÁTORU A AUTOMATICKÁ KALIBRACE PLYNU

Regulátor je vybaven funkcí automatické kalibrace pro dosažení vysokého rozlišení a plynulé odezvy v celém rozsahu výhyklů ovladače plynu na vysíláči. Kalibrace se provádí jen jednou při prvním zapnutí, kdy regulátor rozpozná a uloží si do paměti rozsah řídicího signálu z vysíláče - opakovat je třeba tento postup jedině při změně vysíláče.

1. Zapněte vysíláč, ovladač plynu přesuňte zcela nahoru do polohy plný plyn.
2. K regulátoru připojte pohonný akumulátor, počkejte cca 2 s.
3. Po 2 sekundách motor vydá dvě pípnutí (Pip-Pip-), kterými potvrzuje, že rozeznal polohu „plný plyn“.
4. Ihned poté stáhněte ovladač plynu zcela dolů. Mělo by se ozvat několik pípnutí (Pip-) oznamujících zjištěný počet článků akumulátoru.
5. Poté se ozve dlouhé pípnutí (Pip---) oznamující, že poloha „motor vypnut“ byla uložena do paměti regulátoru.

Regulátor je nakalibrován a připraven k použití.

NORMÁLNÍ POSTUP PŘI ZAPÍNÁNÍ

1. Zapněte vysíláč, ovladač plynu nastavte do polohy „motor vypnut“.
2. Připojte pohonný akumulátor, ozve se trysek 123: napájecí napětí je v povoleném rozsahu.
3. Ozve se několik pípnutí (Pip-) oznamujících zjištěný počet článků akumulátoru.
4. Po ukončení úvodní inicializace regulátoru se ozve dlouhé pípnutí (Pip---).
5. Pomalu vychylujte ovladač plynu nahoru, vrtule by se měla zvolna roztocit po směru hodinových ručiček (při pohledu pilota z kabiny modelu). Pokud se otáčí opačně, stáhněte ovladač plynu dolů, odpojte pohonný akumulátor a prohodte mezi sebou kterékoliv dva z trojice kabelů mezi motorem a regulátorem. Poté vyzkoušejte znovu.

OCHRANNÉ FUNKCE

1. **Ochrana při rozběhu:** Pokud se motor neroztočí do 2 sekund po přidání plynu, regulátor odpojí motor. V tomto případě musíte ovladač plynu stáhnout zpět zcela dolů pro nové restartování motoru. (K tomu může dojít v následujících případech: propojení mezi motorem a regulátorem není spolehlivé, vrtule nebo motor jsou blokovány, převodovka je poškozená atd.)
2. **Teplotní ochrana:** Pokud teplota regulátoru překročí 110°C, regulátor omezí výstupní výkon.
3. **Ztráta signálu plynu:** Regulátor omezí výkon, pokud signál chybí po dobu 1 s; signál chybějící po více než 2 s způsobí úplné odpojení motoru.

POUŽITÍ PROGRAMOVACÍ KARTY KAVAN

Pro programování můžete také využít programovací kartu KAVAN Card. S KAVAN Card jde programování velice rychle - tlačítky nastavíte požadované hodnoty programovatelných funkcí regulátoru a odešlete je do připojeného regulátoru. Vřele doporučujeme!

PROGRAMOVÁNÍ REGULÁTORŮ KAVAN S VYSÍLÁČEM

Krok 2: Volba programové funkce
Po vstupu do programovacího režimu uslyšíte 8 tónů ve smyčce v následujícím pořadí. Pokud ovladač plynu stáhněte zcela dolů do 3 sekund po jednom z tónů, bude příslušná funkce zvolena.

1. „pip-“ (1 krátký tón)
2. „pip-pip-“ (2 krátke tóny)
3. „pip-pip-pip-“ (3 krátke tóny)
4. „pip-pip-pip-pip-“ (4 krátke tóny)
5. „pip---“ (1 dlouhý tón)
6. „pip---pip-“ (1 dlouhý 1 krátký)
7. „pip---pip-pip-“ (1 dlouhý 2 krátke)
8. „pip---pip-pip-pip-“ (2 dlouhý tóny)

Pozn.: 1. dlouhé pípnutí „pip---“ = 5 krátkých pípnutí „pip-“

Krok 3: Nastavení hodnoty funkce
Uslyšíte několik tónů opakovaně ve smyčce. Jakmile uslyšíte tón odpovídající požadované hodnotě, ovladač plynu dejte do polohy plný plyn, ozve se trysek „1515“ potvrzující, že hodnota byla zvolena a uložena do paměti. (Použít-li ovladač plynu nahoru, vrátíte se na krok 2 a můžete pokračovat; nebo stážením plynu dolů do 2s programování ukončíte.)

Funkce	Tóny	„pip-“	„pip-pip-“	„pip-pip-pip-“	„pip-pip-pip-pip-“
1. Brzda (Brake)	Vypnutí (OFF)	Li-xx	Zapnuta (ON)	Ni-xx	3 krátke tóny
2. Typ akumulátoru (Battery Type)	Li-xx	Ni-xx	Vypnutí (Cut-Off)	Vysoká (High)	
3. Odpojení motoru (Cut Off Type)	Nízká (Low)	Střední (Middle)	Vypnutí (Soft-Cut)	Velmi měkký (Very Soft)	
4. Nap. ochrana (Cut Off Voltage)	Normal	Měkký (Soft)	Střední (Middle)	Vysoké (High)	
5. Rozběh (Start Mode)	Nízké (Low)	Střední (Middle)	Vysoké (High)		
6. Časování (Timing)					

Krok 4: Ukončení programovacího režimu
Programování můžete ukončit dvěma způsoby:
1. V kroku 3, po trysku „1515“ do 2 sekund stáhněte ovladač plynu zcela dolů.
2. V kroku 2, po tónu „pip---“ (1 dlouhý tón) po 0,25 s stáhněte ovladač plynu zcela dolů.

PROGRAMOVATELNÉ FUNKCE REGULÁTORŮ KAVAN

1. Brzda: Vypnuta / Zapnuta

Zapnuta: po stažení plynu na minimum se motor zabrzdí. Vhodné u motorových větroňů se sklopnou vrtulí, která se po zabrzdění může sklopit.

Vypnuta: po stažení ovladače plynu na minimum se motor a vrtule volně protáčeji. Vhodné pro klasické motorové modely.

2. Typ akumulátorů: LiPo nebo NiCd/NiMH

3. Způsob odpojování motoru: Omezení výkonu / Tvrdé vypnutí

Omezení výkonu: Jakmile napětí pohonného akumulátoru poklesne na nastavenou mezní hodnotu napěťové ochrany PCO, regulátor začne omezovat výkon motoru.

Tvrde vypnutí: Jakmile napětí pohonného akumulátoru poklesne na nastavenou mezní hodnotu napěťové ochrany PCO, regulátor okamžitě vypne motor.

4. Napěťová ochrana: Nízká / Střední / Vysoká

1) **Pro lithiové akumulátory** je počet článků stanovován automaticky. Prahové napětí pro úrovně ochrany Nízká / Střední / Vysoká je 2.85V/3.15V/3.3V na článek. Například: pro 3S LiPo sadu při „Střední“ úrovni PCO ochrany je koncové napětí 3 x 3.15 = 9.45 V.

2) **Pro NiMH akumulátory** jsou úrovně ochrany Nízká / Střední / Vysoká 0%/50%/65% počátečního napětí sady po připojení k regulátoru; 0% znamená, že je ochrana vypnuta. Např.: plně nabitý 6-čl. NiMH akumulátor bude mít napětí 6 x 1.44 = 8.64 V. Při „Střední“ úrovni ochrany bude vypínací napětí 8.64 x 0.50 = 4.32 V.

5. Rozběh: Normální / Měkký / Velmi měkký (300ms/1.5s/3s)

Normální rozběh je vhodný pro modely letadel, Měkký nebo Velmi měkký pro modely vrtulníků. Počáteční akcelerace u režimů Měkký nebo Velmi měkký je zpomalena; v režimu Měkký se motor rozběhne za 1,5 s, v režimu Velmi měkký za 3 s od přesunutí ovladače plynu z nuly na plný plyn. Pokud ovladač plynu stáhněte zcela dolů a opět dáte plný plyn do 3 s po první spuštění motoru, další případné rozběhy budou v režimu Normal, aby se předešlo možné havárii modelu z důvodu pomalé odezvy plynu. Tato speciální funkce je vhodná pro akrobatické létání, kde je vyžadována rychlá odezva plynu.

6. Časování: Nízké / Střední / Vysoké

Nízké (3,75°): nastavení vhodné pro většinu dvoupólových motorů.

Střední (15°): nastavení vhodné pro motory se 6 a více póly.

Vysoké (22-30°): nastavení vhodné pro motory se 12 a více póly, motory s rotačním pláštěm. Ve většině případů střední nebo nízké nastavení časování funguje s většinou motorů. Pro dosažení vyšší účinnosti doporučujeme pro dvoupólové motory nastavovat Nízké časování a Střední pro motory se 6 a více póly (všeobecně řečeno pro motory s rotačním pláštěm „outrunner“). Pro dosažení vyššího výkonu u outrunnerů můžete použít Vysoké časování. Některé motory vyžadují specifické nastavení časování, takže vám doporučujeme řídit se doporučením výrobce motoru.

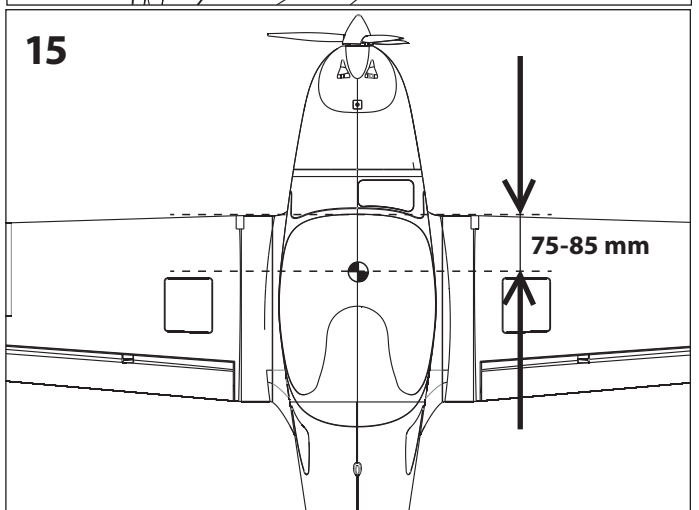
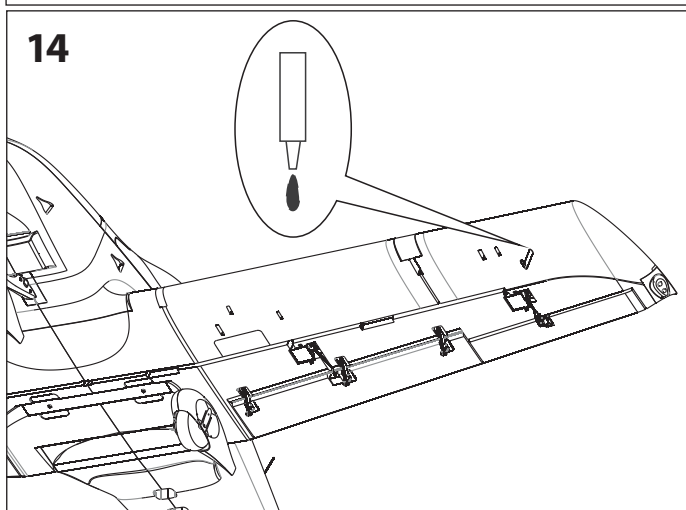
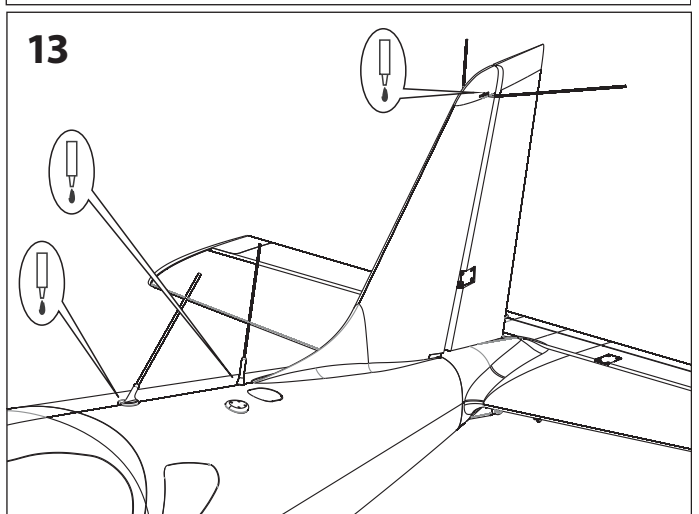
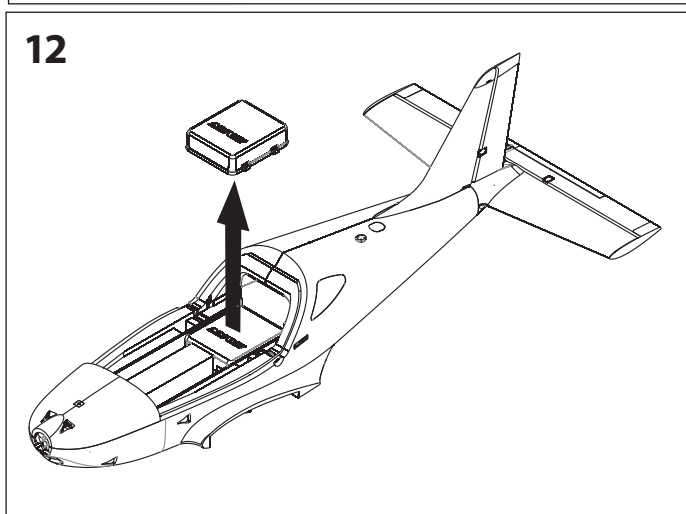
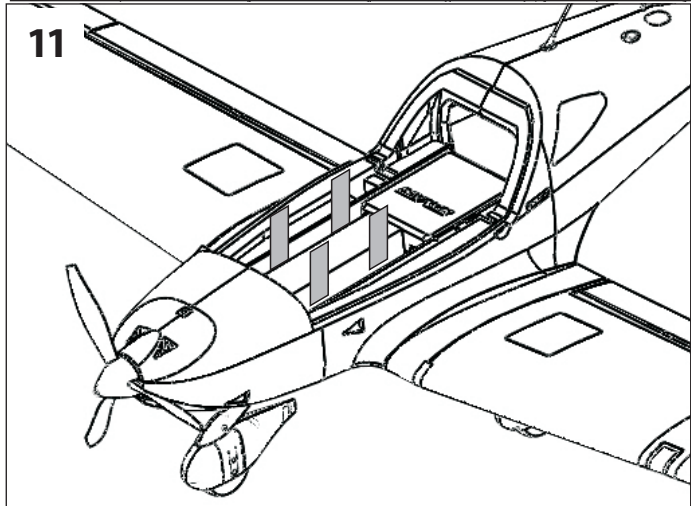
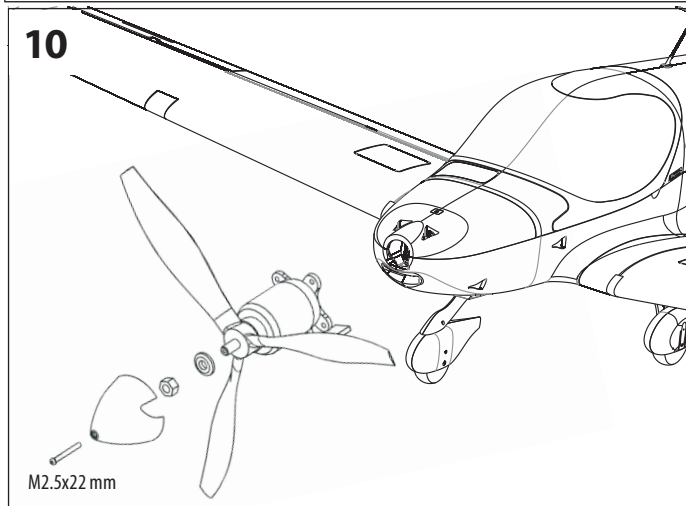
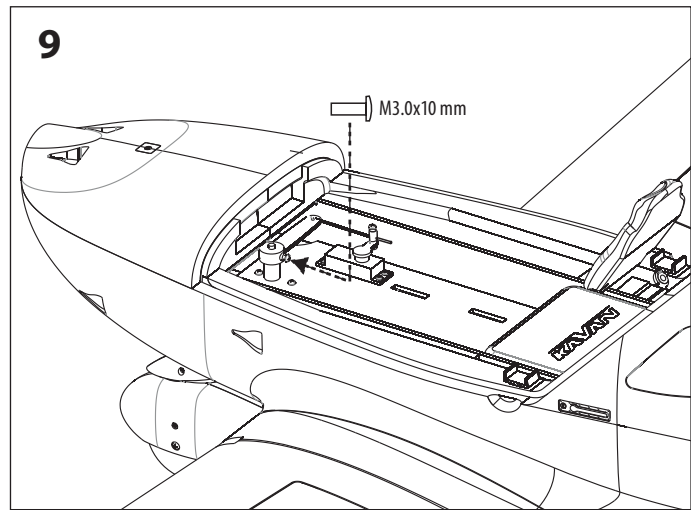
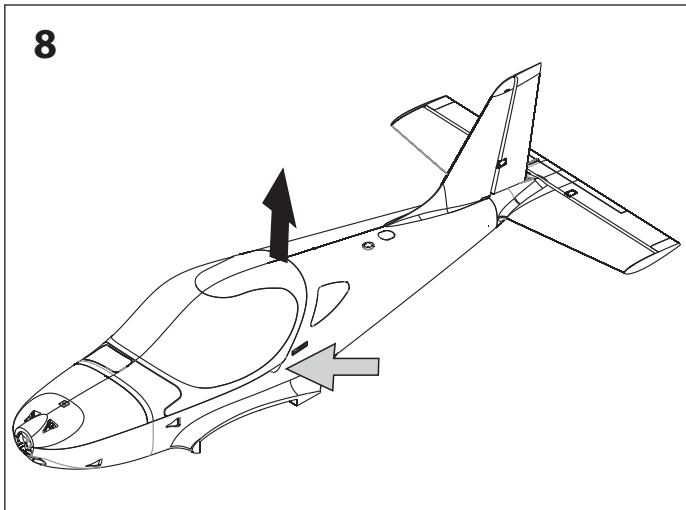
Pozn.: Po změně nastavení časování motor nejprve vyzkoušejte na zemi!

RÁDCE V NESNÁŽÍCH

Problém	Možná příčina	Řešení
Po připojení akumulátoru motor nepracuje, neozývá se žádné pípní.	Špatné zapojení nebo špatný kontakt konektoru mezi regulátorem a akumulátorem.	Zkontrolujte zapojení kabelů. Zkontrolujte a popř. vyměňte konektor.
Po připojení akumulátoru motor nepracuje, ozývá se následující pípní: „pip-pip-, pip-pip-, pip-pip-“ (Pauza mezi „pip-pip-“ je dlouhá cca 1 s)	Napájecí napětí je mimo povolený rozsah - příliš malé nebo příliš velké.	Zkontrolujte napětí pohonného akumulátoru.
Po připojení akumulátoru motor nepracuje, ozývá se následující pípní: „pip-, pip-, pip-“ (Pauza mezi „pip-“ je dlouhá cca 2 s)	Řídicí signál v kanálu plynu má výpady Zkontrolujte fungování vysíláče a přijímače.	Zkontrolujte kabely kanálu plynu.
Po připojení akumulátoru motor nepracuje, ozývá se následující pípní: „pip-, pip-, pip-“ (Pauza mezi „pip-“ je dlouhá cca 0,25 s)	Ovladač plynu není zcela dole („motor vypnut“).	Stáhněte ovladač plynu zcela dolů.
Po připojení akumulátoru motor nepracuje, po dvojitém pípnutí (pip-pip-) se ozve trysek „156712“.	Smysl výchylek kanálu plynu je opačný, takže regulátor přešel do programovacího režimu.	Nastavte správné smysl výchylek v kanálu plynu na vysíláči.
Motor běží v opačném smyslu.	Je třeba změnit zapojení kabelů mezi regulátorem a motorem.	Prohodte navzájem kterékoliv dva z trojice kabelů mezi motorem a regulátorem.

ZÁSADY BEZPEČNÉHO PROVOZU

- Nemontujte vrtuli (model letadla) nebo pastorek (model vrtulníku) na motor dříve, než nastavení modelu a regulátoru vyzkoušíte a ověříte, že je správné. Teprve potom můžete vrtuli nebo pastorek namontovat.
- Nikdy nepřipojujte poškozené pohonné akumulátory.
- Nepoužívejte akumulátory, které se ve spojení s daným regulátorem a motorem přehřívají.
- Nikdy nezkratujte vývody akumulátorů nebo motoru.
- Všechny kabely a konektory musejí být spolehlivě izolované.
- Používejte spolehlivé konektory dimenzované na provozní proud.
- Nepřekračujte počet článků (velikost napájecího napětí) regulátoru a povolený počet serv (zatížitelnost BEC stabilizátoru).
- Zapojení akumulátoru s nesprávnou polaritou poškodí regulátor a znamená ztrátu záruky.
- Regulátor v modelu umístěte tak, aby bylo zajištěno dostatečné chlazení. Regulátor má vestavěnou ochranu, která odpojí motor, pokud teplota regulátoru překročí 110°C.
- Používejte pouze typ akumulátorů, pro který je regulátor konstruován, a zajištěte dodržení správné polaroty.
- Vždy nejprve zapněte vysíláč a ujistěte se, že ovladač plynu v poloze zcela dole, vypnuto - dříve, než připojíte pohonný akumulátor.
- Nikdy nevypinete vysíláč, pokud je pohonný akumulátor připojený k regulátoru.
- Pohonný akumulátor připojujte až těsně před vzletem a po přistání jej neponechávejte připojený.
- Jakmile je pohonný akumulátor připojen, vždy s modelem zacházejte tak, jako kdyby se mohl motor kdykoliv rozeběhnout a vrtule roztocit. Pozor na prsty, obličej, volně části oblečení. Nikdy nestáňte vy ani přihlížející osoby v rovině otáčející se vrtule.
- Zapnutý regulátor neponožujte do vody.
- Létejte pouze na bezpečných místech, pokud možno na plochách vyhrazených pro modelářské použití, a dodržujte bezpečnostní zásady a pravidla slušného modelářského chování.



Bristell B23

Bauanleitung

EINFÜHRUNG

Herzlichen Glückwunsch zum Kauf des zweisitzigen Übungs-Flugzeug-Semiscales Bristell B23. Sie sind die Besitzer eines nahezu unzerbrechlichen Schaumstoffmodells aus EPO (extrudiertes Polyolefin) geworden, das mit einem leistungsstarken Brushless-Motor angetrieben wird, der von LiPo-Akkus versorgt wird. Jeder, wer

es bereits schafft, mit einem Modell mit Querrudern zu fliegen, wird das Steuern dieses eleganten Semiscale-Modells mit soliden Kunstflugfähigkeiten hundertprozentig genießen!

BEVOR SIE BEGINNEN

1. Falls Sie kein erfahrener Pilot sind, nehmen Sie die Hilfe eines kompetenten Piloten in Anspruch um ihr zusammengebautes Modell zu überprüfen und bei den Erststarts zu helfen. Obwohl wir Ihnen eine vollständige Anleitung zur Verfügung gestellt haben, so ist ein Modellflugzeug ziemlich kompliziert und ein erfahrener Modellbauer kann schnell ihr Modell überprüfen und somit sicherstellen, dass ihre ersten Flüge erfolgreich werden.
2. Bitte bauen Sie ihr Modell genau nach dieser Anleitung auf. Versuchen Sie nicht ihren FOX zu modifizieren oder zu verändern, da dies die Flugeigenschaften negativ beeinflussen kann.
3. Bevor Sie beginnen prüfen Sie den Inhalt des Bausatzes auf Vollständigkeit und prüfen Sie, dass keine Teile beschädigt sind. Dies hilft auch sich mit den Teilen des Modells vertraut zu machen. Falls Teile fehlen oder beschädigt sind, so wenden Sie sich umgehend an ihren Händler. Berücksichti-

gen Sie, dass ihr Händler keinen Bausatz zurücknehmen kann bei, dem mit dem Bau bereits begonnen wurde.

4. Versuchen Sie zuerst die Teile zusammenzufügen bevor Sie sie verkleben. Versichern Sie sich, dass sie die korrekten Teile benutzen und dass sie gut zusammen passen vor dem Zusammenbau. Auch viel Kleber kann schlecht passende Teile nicht zurecht machen.
5. Die Anleitung zeigt die Standard Einstellung des Schwerpunktes. (CG) und empfohlene Ruderausschläge. Bitte berücksichtigen Sie, dass es wesentlich ist den empfohlenen Schwerpunkt beizubehalten für die ersten Flüge, ansonsten könnte das Modell instabil und schwer zu fliegen sein, oder gar nicht fliegen. Sie können den Schwerpunkt später tunen um ihn an ihren Flugstil und ihr Können anzupassen.

SICHERHEITSMABNAHMEN UND WARNUNGEN

- Ein ferngesteuertes Modell ist kein Spielzeug! Es kann erhebliche Verletzungen und Sachbeschädigungen anrichten. Fliegen Sie nur an einem sicheren Ort und folgen Sie den Anweisungen und Empfehlungen dieser Anleitung. Bleiben Sie von der Luftschraube weg! Halten Sie lose Teile entfernt von der drehenden Luftschraube, damit sie nicht eingesaugt werden können. Dies schließt lose Kleidung, und andere Sachen wie Kugelschreiber und Schraubendreher mit ein. Gehen Sie sicher, dass ihre und andere Leute Hände und Gesicht vom drehenden Propeller weg sind.
- Als Betreiber des Modells sind Sie alleine verantwortlich für die sichere Anwendung, dass weder Sie noch andere verletzt werden, oder das Modell beschädigt wird, oder Schäden an anderen Sachen entstehen. Dieses Modell wird durch eine Funk-Fernsteuerung gelenkt deren Signal durch viele Dinge gestört werden können, die außerhalb Ihrer Kontrolle sind. Diese Störungen können vorübergehenden Verlust der Steuerbarkeit zur Folge haben und es ist deshalb ratsam eine sichere Entfernung in allen Richtungen um ihr Modell

herum zu haben um Kollisionen und Verletzungen zu vermeiden.

- Betreiben Sie ihr Modell nie mit schwachen Senderbatterien.
- Betreiben Sie ihr Modell immer im offenen Gelände entfernt von Stromleitungen, Autos, Verkehr, Menschen. Betreiben Sie ihr Modell nie in bewohnten Gebieten.
- Beachten Sie exakt diese Anweisungen und Warnungen. Dies gilt auch für die zusätzliche Ausrüstung, die Sie einsetzen. (Ladegeräte, wieder aufladbare Akkus, usw.)
- Halten Sie alle Chemikalien, Kleinteile und jegliche elektrischen Teile außerhalb der Reichweite von Kindern.
- Feuchtigkeit verursacht Beschädigungen der Elektronik. Vermeiden Sie Wasser-Kontakt aller Teile, die nicht dafür ausgelegt oder dagegen geschützt sind.
- Das Modell ist mehrheitlich aus Kunststoff hergestellt. Es ist nicht feuerfest. Es darf nicht höheren Temperaturen ausgesetzt werden, ansonsten könnten Verformungen oder andere Beschädigungen auftreten.

TECHNISCHE DATEN

Spannweite	1600 mm
Länge	1151 mm
Flügelfläche	36,8 dm ²
Fluggewicht	2100 g

Elektromotor	C3548-800
Regler	KAVAN R-50SB SBEC
Luftschraube	10x6" 3-Blatt

SET INHALT

- Fast flugbereites Modell mit Servos, einem Brushless-Motor, Regler, Propeller und einer Anleitung (Abb. 1a+1b).

SIE BRAUCHEN ZUSÄTZLICH

- Zumindest ein Siebenkanal RC Set, 14,8V 2600-3300 mAh LiPo Flugakku.
- Normales Modellbauwerkzeug – Balsamesser, Schraubendreher, Zange, Flachslüssel Nr. 10, Schleifpapier usw.

- Kleber: mittelflüssiger oder dicker Sekundenkleber oder Klebefüller (Silikon oder MS Polymer).

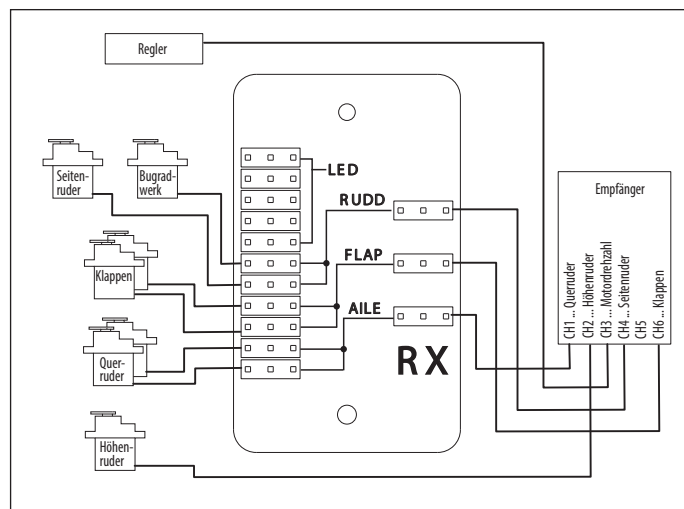
ZUSAMMENBAU

1. Trocken, ohne zu kleben stecken Sie das Seiten- und Höhenleitwerk in die Ausschnitte im Rumpf (siehe Abb. 2+3). Stellen Sie sicher, dass die Teile gut passen und das Höhen- und Seitenleitwerk senkrecht zueinander stehen (Abb. 4). Wenn es nötig ist, schleifen Sie die Teile vorsichtig.
2. Verbinden Sie das Seitenruderservokabel mit dem Verlängerungskabel im Rumpf (RUDD) und sichern Sie die Stecker mit einem Schrumpfschlauch, Binden mit einer Zahnseide oder Kleben mit einem Klebeband. Tragen Sie einen mittelflüssigen oder lieber dicken Sekundenkleber, bzw. einen klaren Klebefüller auf die Kontaktfläche an der Flosse auf und bringen Sie das Seitenleitwerk an. (Abb. 2)
3. Verbinden Sie das Höhenruderservokabel mit dem Verlängerungskabel im Rumpf (ELEV) und sichern Sie die Stecker mit einem Schrumpfschlauch, Binden mit einer Zahnseide oder Kleben mit einem Klebeband. Tragen Sie einen mittelflüssigen oder lieber dicken Sekundenkleber, bzw. einen klaren Klebefüller auf die Kontaktfläche an der Flosse auf und bringen Sie das Höhenlei-

terwerk an. (Abb. 3)

4. Noch vor dem Aushärten des Klebers überprüfen Sie wieder, dass das Höhen- und Seitenleitwerk senkrecht zueinander steht. (Abb. 4)
5. Stecken Sie die Flügelhälften an den Rohr-Verbindern. Die Kabel von Querruderservos, Klappen und LED Lichtern führen Sie auf die obere Seite des Flügels. (Abb. 5)
6. Führen Sie die Kabel von Servos und LED Lichtern in den Rumpf in den Kabinenraum und bringen Sie den Flügel an den Rumpf an. Platzieren Sie das Hauptfahrwerk an den Flügel und befestigen Sie es zusammen mit dem Flügel an den Rumpf mit zwei selbstschneidenden Schrauben 3,0x40 mm. (Abb. 6)
7. Stecken Sie das Bug-Fahrwerksbein in die Konsole im Rumpf ein, entfernen Sie die Kabinenabdeckung, befestigen Sie den Steuerhebel an dem hervorstehenden Ende und sichern Sie ihn mit einer Stellschraube M3x10 mm. (Abb. 7+8+9)
8. Setzen Sie den Propeller auf die Welle des Mitnehmers und sichern Sie ihn mit

- einer Mutter und einer Unterlage. Die Mutter ziehen Sie mit dem Schraubenschlüssel Nr. 10 fest an. (Aus Sicherheitsgründen ist es besser, den Propeller am Schluss zu montieren, wenn Sie sich nach dem Anschluss des RC-Sets vergewissert haben, dass sich der Motor in die richtige Richtung bewegt). Befestigen Sie den Propellerspinner mit der Schraube M2,5x22 mm (**Abb. 10**).
- Kleben Sie ein Klettband (einen Teil mit den Schlaufen, ist nicht im Baukasten enthalten) auf die Unterseite Ihres Akkus und sichern Sie den Akku mit dem Klettband im Kabinenbereich. (**Abb. 11**)
 - Nehmen Sie die Abdeckung der Anschlussplatte ab und schließen Sie Ihren Empfänger gemäß dem Schema rechts an. Befestigen Sie den Empfänger mit den angeschlossenen Servos und dem Drehzahlregler mit einem Klettband oder einem doppelseitigen Schaumstoffklebeband im hinteren Teil der Kabine. Positionieren Sie die Antennen so, dass ihre aktiven Teile im 90 Grad Winkel zueinander stehen (wenn Sie einen Diversity-Antennenempfänger haben).
Bem.: Standardmäßig werden die Querruder-, Klappen-, Seitenruder- und Bugbeinservos über eine spezielle Anschlussplatte im Modell an den Empfänger angeschlossen, so dass auch die einfachsten 6-Kanal-RC-Sets zur Steuerung des Modells verwendet werden können. Wenn Sie die Querruder und Klappen unabhängig voneinander steuern wollen, wie dies bei fortschrittlicheren Computer-RC-Sets möglich ist, muss die Anschlussplatte durch ein Viererpack 25-30 cm lange Verlängerungskabel ersetzt werden.
 - Schalten Sie den Sender ein und ziehen Sie den Gashebel ganz nach unten, erst dann können Sie die Antriebsbatterie an den Drehzahlregler anschließen. Kalibrieren Sie den Gasbereich des Drehzahlreglers gemäß der



- Bedienungsanleitung. Stellen Sie alle Ruder mit allen Bedienelementen und Trimmhebeln in der Neutrallage in Mittelstellung. Ziehen Sie dann die Schrauben der Gestängeverbindungen und Servoarme an. (**Abb. 8+9**)
- Bringen Sie die Kabinenhaube an.
 - Mit einem mittelflüssigen Sekundenkleber kleben Sie die Antennen-Scales (**Abb. 13**) und die Pitotrohre (**Abb. 14**).

FERNSTEUERUNGSEINBAU UND VORFLUG CHECK

- Informationen zur Installation und Programmierung des RC-Sets finden Sie in der Bedienungsanleitung. Schließen Sie nach der vollständigen Montage des Modells die RC-Anlage an und testen Sie Servo- und Reverse-Schalter-Funktion. Wenn ein Ruder zu große Ausschläge aufweist, hängen Sie das Gestänge am Servohebel näher an der Mitte ein – oder am Ruderhebel weiter vom Drehpunkt weg. Wenn andererseits der Ausschlag zu gering ist, machen Sie das Gegenteil.

Doporučené výhybky	Niedrige Rate		Hohe Rate	
	Rate	Expo	Rate	Expo
Querruder	±13 mm	35-40%	±20 mm	40%
Höhenruder	±13 mm	30-35%	±20 mm	35%
Seitenruder	±26 mm	25-30%	±40 mm	30%
Klappen	Abflug: -12 mm nach unten/Landung: -30 mm nach unten			

- Die in der Tabelle angegebenen kleineren Ausschläge eignen sich für weniger erfahrene Piloten und normales Fliegen. Große Ausschläge sind für erfahrene Piloten konzipiert, sodass sie die Kunstflug-Fähigkeit des Modells voll ausnutzen können. Die oben erwähnte Querruder-Differenzierung (der Ausschlag nach unten ist auf 50% des Ausschlages nach oben begrenzt) ist natürlich nur mit einem RC-Set und Querruderservos möglich, die an zwei Kanäle angeschlossen sind.

DAS FLIEGEN

Der Testflug und die Feineinstellung sind sehr einfach und es wird keinerlei Überraschungen geben für einen entsprechenden Piloten.

ANHANG

KAVAN R-6B...R-80SB

Programmierbare elektronische Fahrtregler für Brushless Motoren

Glückwunsch zum Kauf eines elektronischen Fahrtreglers für Brushless Motoren aus der KAVAN Linie. Die KAVAN Linie Regler sind Stand der Technik und decken die meisten elektrogetriebenen Modelle, die von "Sonntagfliegern" geflogen werden ab. Alle Regler können schnell mit dem Sender programmiert werden und noch einfacher mit der optional erhältlichen KAVAN Karte.

PROGRAMMIERBARE FUNKTIONEN

- Programmierbare Bremsenfunktion (verwenden Sie die Bremsenfunktion nur für Anwendungen mit Klappluftschraube).
- Programmierbarer Batterietyp (LiPo oder NiCd/NiMH).
- Programmierbarer Unterspannungs Abschalttyp (Leistungsreduzierung oder sofortige Abschaltung).
- Programmierbare Unterspannungsabschaltung.
- Programmierbarer Softanlauf (für Betrieb mit Getriebe und Hubschrauber Anwendungen).
- Programmierbares Timing (Um die Effizienz des Reglers einzustellen).

TECHNISCHE DATEN

	BEC Typ	Strom (A) Dauernd/ Spitze	Eingangsspannung Anzahl Zellen	Gewicht (g)	BEC (Spannung/Strom)	Abmessungen (mm)
KAVAN R-6B	*BEC	6A\8A	2LiPo	5,5g	5V/0.8A	32x12x4,5
KAVAN R-12B	*BEC	12A\15A	2-3LiPo	9g	5V/1A	38x18x6
KAVAN R-15B	*BEC	15A\20A	2-3LiPo	16,5g	5V/2A	48x22,5x6
KAVAN R-20B	*BEC	20A\25A	2-3LiPo	19g	5V/2A	42x25x8
KAVAN R-30B	*BEC	30A\40A	2-3LiPo	37g	5V/2A	68x25x8
KAVAN R-40B	*BEC	40A\55A	2-3LiPo	39g	5V/3A	68x25x8
KAVAN R-40SB	**SBEC	40A\55A	2-4LiPo	43g	5V/3A	65x25x12
KAVAN R-50SB	**SBEC	50A\65A	2-4LiPo	41g	5V/7A	65x29x10

- Überprüfen Sie die Drehrichtung des Propellers. Wenn er fälschlicherweise läuft, vertauschen Sie einfach zwei der drei Kabel zwischen dem Drehzahlregler und dem Motor.
- Überprüfen Sie, ob sich der Schwerpunkt (**57-62mm**) an der richtigen Position befindet (**Abb. 15**). Mögliche Positionsänderungen sollten durch Neupositionieren der Antriebsbatterie erreicht werden. Wenn dies nicht ausreicht, zögern Sie nicht, dem Bug oder Heck den erforderlichen Ballast hinzuzufügen. Während ein paar Gramm mehr die Flugeigenschaften nicht wirklich beeinflussen, erkennt das Modell den falschen Schwerpunkt sofort. Laden Sie die Batterien im Sender vor dem ersten Start vollständig auf.
- Überprüfen Sie die Funktion des RC-Sets und führen Sie einen Reichweitentest gemäß der Bedienungsanleitung durch.
- Die Reichweite bei Vollgas darf nicht viel kleiner sein (nicht mehr als 10%) als bei ausgeschaltetem Motor. Wenn der Reichweitentest weniger als 100% beträgt, versuchen Sie nicht, zu starten. Wenn Sie kein erfahrener RC-Pilot sind oder nicht viel Erfahrungen mit diesem Modelltyp haben, sollten Sie den ersten Flug einem erfahrenen Piloten anvertrauen.
- Es ist keine Schande, echte Flugzeuge fliegen auch erst erfahrene Testpiloten.
- Wahrscheinlich finden Sie in jedem Modellclub einen super erfahrenen Piloten, der viele Modelle für andere Mitglieder einfliegt.

	BEC Typ	Strom (A) Dauernd/ Spitze	Eingangsspannung Anzahl Zellen	Gewicht (g)	BEC (Spannung/Strom)	Abmessungen (mm)
KAVAN R-60SB	**SBEC	60A\80A	3-6LiPo	63g	5V/7A	77x35x14
KAVAN R-80SB	**SBEC	80A\100A	3-6LiPo	82g	5V/7A	86x38x12

*) BEC - linear BEC

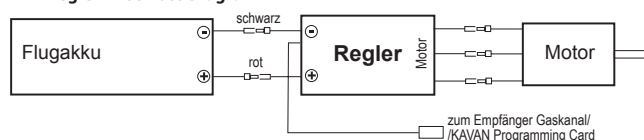
**) SBEC - kraftvollen switching BEC

ANSCHLUSS DES KAVAN REGLERS

Der Regler kann angeschlossen werden indem er direkt an den Motor angelötet wird oder mit Steckkontakten guter Qualität. Verwenden Sie stets neue Steckverbindungen, die sorgfältig an die Kabel angelötet und mit Schrumpfschlauch isoliert werden. Verwenden Sie nur Steckverbindungen hoher Qualität um den Regler mit dem Flugakku zu verbinden – 2 mm Gold Steckverbindungen (Pelikán Daniel #7939 oder #7940) für Ströme bis 20 A; 3,5 mm (#7941), 4 mm (#7946) Steckverbindungen oder Dean-T (#7949) für Ströme bis zu 60 A sowie 6 mm (#7945) für Ströme bis zu 60 A. Die maximale Länge der Flugakkukabel sollte 15 cm nicht übersteigen.

Stecken Sie das Servokabel des Reglers in den Empfänger Gaskanal ein. Der Regler ermöglicht mit BEC oder SBEC eine stabilisierte Empfängerstromversorgung, auch der Servos, aus dem Flugakku.

KAVAN Regler Anschluss Diagramm



Bitte berücksichtigen Sie, daß falsche Polarität oder ein Kurzschluss den Regler zerstören können. Es ist deshalb in Ihrer Verantwortung zu prüfen, daß alle Steckverbindungen bevor Sie den Flugakku das erste Mal anstecken korrekt sind.

DAS ERSTE EINSCHALTEN DES KAVAN REGLERS & AUTOMATISCHE GASKANAL KALIBRIERUNG

Der KAVAN Regler verfügt über eine automatische Gaskanal Kalibrierung, die eine weiche Gasannahme und Auflösung über den gesamten Weg des Gasknüppels gewährleistet. Dieser Schritt muß nur einmal ausgeführt werden um dem Regler das Ausgangssignal des Gaskanals Ihres Senders einzulernen und abzuspeichern. Es muß nur wiederholt werden, wenn Sie den Sender wechseln.

1. Sender einschalten und Gashebel auf Vollgas stellen.
2. Akku mit dem Flugregler verbinden und ca. 2 Sek. warten.
3. Ein "Beep-Beep"-Ton sollte zu hören sein, dies Bestätigt die Einstellung der Vollgasposition.
4. Stellen Sie den Gashebel auf die tiefste Position, mehrere "beep-" Töne sollten zu hören sein und zeigt die Zellenanzahl an.
5. Ein langer "Beep-" Ton sollte zu hören sein, dies Bestätigt die Einstellung der tiefsten Position des Gashebel.

Der Gaskanal ist nun kalibriert und Ihr Regler ist fertig für den Einsatz.

NORMALES EINSCHALTEN DES REGLERS

1. Gashebel auf dieses tiefste Position, Sender einschalten.
2. Akku mit Regler verbinden, Sonderton wie "123" bedeutet Stromversorgung OK.
3. Mehrere "beep-" Töne sollten zu hören sein um die Li-Zellenzahl anzugeben.
4. Nach dem Selbsttest, ertönt ein langer "beep-----" Ton.
5. Bewegen Sie den Gasknüppel langsam in Richtung Vollgas und der Propeller sollte beginnen sich im Uhrzeigersinn (von hinten gesehen) zu drehen. Falls er in die andere Richtung dreht bewegen Sie den Gasknüppel sofort in Richtung Minimum Position und stecken den Flugkaku aus. Vertauschen Sie dann zwei beliebige Anschlusskabel zum Motor. Starten Sie die Prüfung dann erneut.

SCHUTZFUNKTIONEN

1. **Anlauf Fehlerschutz:** Falls der Motor nicht innerhalb von 2 Sekunden nach Gashebelbewegung anläuft, schaltet der Regler die Gasfunktion weg. In diesem Fall MUSS der Gashebel in die tiefste Position zurück gestellt werden. (Solch eine Situation tritt folgendermaßen auf: Die Verbindung von Regler und Motor ist nicht stabil, der Propeller oder Motor ist blockiert, das Getriebe ist beschädigt, etc.)
2. **Überhitzungsschutz:** Wenn die Temperatur des Reglers über 110°C steigt, reduziert der Regler die ausgegebene Leistung.
3. **Verlust des Sendersignals:** Der Regler reduziert die ausgegebene Leistung wenn das Sendersignal für 1 Sek. ausfällt, weiterer Verlust für 2 Sek. führt zur Abschaltung der ausgegebenen Leistung.

PROGRAMMIERBARE FUNKTIONEN DES KAVAN REGLERS.

1. Bremse: AN / AUS

AN – Bremsst den Propeller wenn der Gasknüppel in Leerlaufstellung genommen wird (empfohlen bei Verwendung von Klappflütschrauben).

AUS – Ermöglicht dem Propeller das freie Drehen, wenn der Gasknüppel in Leerlaufstellung genommen wird.

VERWENDUNG DER KAVAN PROGRAMMIER KARTE (OPTIONAL)

Sie können ebenso die optional erhältliche KAVAN Programmier Karte verwenden um die Funktionen zu programmieren. Der Gebrauch der KAVAN Karte ist sehr einfach und bequem. Die programmierbare Funktion und ihre Werte sind mit ein paar Tasten einzustellen. Stellen Sie einfach alle Funktionen auf der Karte auf die Werte entsprechend den gewünschten Werten ein und laden Sie die Einstellungen in den ESC.

PROGRAMMIERUNG DES KAVAN REGLERS MIT DEM SENDE

2. Programmierpunkt auswählen:
Nach dem Starten des Programmiermodus hören Sie 8 Töne in einer Schleife mit folgender Sequenz. Wenn Sie den Gashebel innerhalb von 3 Sek. in die Neutralstellung bringen nachdem Sie einen Ton gehört haben, wird dieser Punkt ausgewählt.

1. "beep" (1 kurzer Ton)
2. "beep-beep" (2 kurze Töne)
3. "beep-beep-beep" (3 kurze Töne)
4. "beep-beep-beep-beep" (4 kurze Töne)
5. "beep-----" (1 langer Ton)
6. "beep-----beep" (1 Lang 1 Kurz)
7. "beep-----beep-beep" (1 Lang 2 Kurz)
8. "beep-----beep-----" (2 Lange Töne)

Hinweis: 1 langer, Beep----- = 5 kurze, "beep-".

3. Einstellung des Programmierpunkts (Wert):
Sie hören verschiedene Töne in einer Schleife. Stellen Sie den Wert nach Ton ein durchbewegen des Gashebels auf Vollgas. Danach ertönt ein Sonderton "1515" welcher die Auswahl bestätigt und speichert. Halten des Gashebels auf Vollgas bringt Sie zurück zu Schritt 2 und Sie können einen anderen Punkt auswählen. Das bewegen des Gashebels innerhalb von 2 Sek. in Neutralposition führt zum Verlassen des Programmiermodus.)

Punkt	Ton	"beep-" 1 kurzer Ton	"beep-beep" 2 kurze Töne	"beep-beep-beep" 3 kurze Töne
1. Bremse	Aus (OFF)	Li-xx	An (ON)	Ni-xx
2. Batterie Typ	Li-xx			
3. Abschaltung	Reduzierte Leist. (Soft-Cut)	Niedrig (Low)	Mittel (Middle)	Hoch (High)
4. Abschaltswelle		Weich (Soft)	Mittel (Middle)	Sehr weich (Very Soft)
5. Start Mode	Normal	Niedrig (Low)	Mittel (Middle)	Hoch (High)
6. Timing				

4. Programmierung Ende
Es gibt 2 Wege den Modus zu verlassen:

2. In Schritt 3, nach dem Sonderton "1515", Gashebel innerhalb 2 Sek. in Neutralstellung bringen.
3. In Schritt 2, nach Ton "beep-beep-beep" (z.B. Punkt #8), Gashebel innerhalb von 3 Sek. in Neutralstellung bringen.

2. Batterie Typ: LiPo oder NiCd/NiMH

3. Unterspannungs Abschalt Typ: Reduziere Leistung / Abschaltung

Reduzierte Leistung – Der Regler reduziert die Leistung, wenn die voreingestellte Unterspannungs-Schwelle erreicht wird.

Abschaltung – Der Regler schaltet den Motor sofort ab, wenn die voreingestellte Unterspannungs-Schwelle erreicht wird.

4. Abschaltspannung für Unterspannungsschutz: Niedrig / Mittel / Hoch

1) Bei Lithium Akkus, wird die Zellenzahl automatisch kalkuliert. Niedrig / Mittel / Hoch Abschaltspannung für jede Zelle beträgt: 2.85V/3.15V/3.3V. Zum Beispiel: Für einen 3S LiPo, bei "Medium" Abschalteneinstellung, beträgt die Abschaltspannung: 3.15*3=9.45V.

2) Bei NiMH Akkus, Niedrig / Mittel / Hoch Abschaltspannung beträgt 0%/50%/65% der Ausgangsspannung (z.B. der Nennspannung des Akkupacks), und 0% entspricht des deaktivierten Unterspannungsschutz. Zum Beispiel: Für einen 10 Zellen NiMH Akku, Spannung nach dem laden beträgt 1.44*6=8.64V, bei "Mittel" Einstellung, beträgt die Abschaltspannung: 8.64*50%=4.32V.

5. Start Mode: Normal / Weich / Sehr weich

Normal Mode ist passend für jegliche Flugzeuge. Soft oder Super-soft Mode ist passend für Helikopter. Die erste Anlaufen im Soft und Super-Soft Mode ist langsamer, es benötigt 1.5 Sekunden für Soft Start oder 3 Sekunden bei Super-Soft Start vom ersten Anlaufen bis Vollgas. Wenn das Gas komplett zurückgenommen wurde (Gashebel in tiefster Position) und innerhalb von 3 Sekunden nach dem ersten Gas geben wieder betätigt wird (Gashebel in Vollgasposition), wird der wiederholte Gas stoß vorübergehend im Normal Mode durchgeführt um die Möglichkeit eines Absturzes durch zu langsame Gasreaktion zu vermeiden. Diese Sonderfunktion ist speziell beim Kunstflug hilfreich wo schnelle Gasreaktionen notwendig sind.

6. Einstellung von Timing: Niedrig / Mittel / Hoch

Niedrig (3.75°) – Einstellung für die meisten 2-polige Motoren.

Mittel (15°) – Einstellung für Motoren mit 6 oder mehr Pole.

Hoch (26.25°) – Einstellung für Motoren mit 12 oder mehr Pole, Aussenläufer.

In den meisten Fällen arbeitet das mittel oder niedrig Timing gut für alle Typen von Motoren. Für höhere Effizienz empfehlen wir jedoch das Timing auf „Niedrig“ einzustellen bei 2 poligen Motoren (meistens Innenläufer) und auf „Mittel“ für Motoren mit 6 oder mehr Pole (normalerweise alle Aussenläufer). Für mehr Drehzahl kann das Timing auf „Hoch“ gestellt werden. Einige Motoren erfordern unterschiedliche Einstellungen, so daß wir empfehlen den vom Hersteller des Motors angegebenen Empfehlungen zu folgen zu stellen.

Bemerkung: Lassen Sie den Motor zuerst am Boden laufen nachdem Sie Änderungen am Timing vorgenommen haben!

PROBLEMLÖSUNGEN

Problem	Möglicher Grund	Abhilfe
Nach dem Einschalten arbeitet der Motor nicht, keine Töne sind zu hören.	Die Verbindung zwischen Regler und Akku ist nicht korrekt.	Überprüfen Sie die Verbindung. Tauschen Sie die Stecker aus.
Nach dem Einschalten arbeitet der Motor nicht, folgender Warnton ist zu hören: "beep-beep-, beep-beep-, beep-beep-" (jeder "beep-beep-" hat einen Intervall von ca. 1 Sekunde).	Eingangsspannung ist nicht normal, zu hoch oder zu tief.	Prüfen Sie die Spannung des Akkupack.
Nach dem Einschalten arbeitet der Motor nicht, folgender Warnton ist zu hören: "beep-, beep-, beep-" (jeder "beep-" hat einen Intervall von ca. 2 Sekunden).	Gassignal ist irregulär.	Prüfen Sie Sender und Empfänger. Prüfen Sie das Anschlusskabel von Regler und Empfänger.
Nach dem Einschalten arbeitet der Motor nicht, folgender Warnton ist zu hören: "beep-, beep-, beep-" (jeder "beep-" hat einen Intervall von 0.25 Sekunden).	Der Gashebel ist nicht in der Neutral (tiefste) Position.	Bewegen Sie den Gashebel in die tiefste Position.
Nach dem Einschalten arbeitet der Motor nicht, folgender Warnton "156712" ist zu hören nach 2 beep Tönen (beep-beep-).	Gasweg ist umgekehrt, Regler schaltet in Programmiermodus.	Stellen Sie die Gaslauffrichtung korrekt ein.
Motor dreht in die verkehrte Richtung	Die Verbindung zwischen Motor und Regler muss geändert werden.	Tauschen Sie zwei Verbindungskabel zwischen Motor und Regler wahllos untereinander aus.

SICHERHEITS-HINWEISE

- Befestigen Sie den Propeller (Flächenmodell) oder das Ritzel (Helicopter) nicht wenn Sie den Regler und den Motor zum ersten mal testen um zu überprüfen ob die –die Einstellungen ihres Senders stimmen.
- Verwenden Sie nie gebrochene oder defekte Akkus.
- Verwenden Sie keine Akkus, die zum Überhitzen neigen.
- Schliessen Sie nie Akkus oder Motor kurz.
- Verwenden Sie immer gutes Isoliermaterial um die Kabel zu isolieren.
- Verwenden Sie immer einwandfreie Steckverbindungen.
- Verwenden Sie nicht mehr Akku Zellen oder Servos als für den Regler zulässig.
- Verpölpeter Anschluß des Reglers zerstört den Regler und die Garantie erlischt.
- Installieren Sie den Regler an einem angemessenen Platz mit ausreichender Belüftung. Der Regler hat einen eingebauten Überhitzschutz, der sofort die Leistung unterbricht oder reduziert wenn der Regler die Überhitz Schwelle von 110°C/230°F erreicht.
- Verwenden Sie nur Akkus Typen, die von dem Regler unterstützt werden und achten Sie auf richtige Polarität vor dem Anschluß.
- Schalten Sie ihren Sender zuerst ein und versichern Sie sich, dass der Gas Knüppel auf Minimum Position steht bevor Sie den Akku anstecken.
- Schalten Sie nie den Sender aus, solange der Akku an den Regler angesteckt ist.
- Schliessen Sie den Akku erst direkt vor dem Flug an den Regler an und lassen Sie den Akku nicht mit dem Regler verbunden nach dem Flug.
- Gehen Sie mit dem Modell vorsichtig um wenn der Akku angeschlossen ist und bleiben Sie weg vom Propeller. Befinden Sie sich nie in der Nähe oder direkt vor rotierenden Teilen (Propeller/Rotor).
- Tauchen Sie den Regler nie unter Wasser. Achten Sie darauf, dass er nicht nass werden kann während er mit dem Akku verbunden ist.
- Fliegen Sie stets auf einen zugelassenen Fluggelände und beachten Sie die Regeln und Richtlinien ihres Modellflug Vereins.

Bristell B23

Návod na stavbu

ÚVOD

Blahoželáme vám k zakúpeniu polomakety dvojmiestného cvičného lietadla Bristell B23. Stali ste sa majiteľmi modelu s konštrukciou z takmer nerozbitného penového EPO (extrudovaný polyolefín) poháňaného výkonným striedavým

motorom napájaným z LiPo akumulátorov. Každý, kto už zvláda lietanie s modelom s krídelkami, si stopercentne užije pilotáž tejto elegantnej polomakety so solidnými akrobatickými schopnosťami!

SKÔR, AKO ZAČNETE

1. Ak zatiaľ nie ste skúsený pilot RC modelov, začnite vyhľadávať skúseného modelára, ktorý pred prvým vzletom skontroluje váš nový model, zalieta ho a vytrhne vám pomoc počas prvých letov. RC modely sú predsa len trochu zložité, a skúsený modelár môže rýchlo preveriť váš model - a vy získate istotu, že úspechu vašich prvých letov nestojí nič v ceste.
2. Prosíme, model zostavujte presne podľa návodu. Nepokúšajte sa model akýmkoľvek spôsobom upravovať alebo meniť, pretože tým môžete spôsobiť zhoršenie jeho letových vlastností. Ak vykonáte akékoľvek úpravy, ktoré nie sú v súlade s týmto návodom, robíte tak výhradne na svoju vlastnú zodpovednosť.
3. Skôr ako začnete, prosím, skontrolujte celý obsah stavebnice podľa návodu, abyste mali istotu, že žiadna časť nechýba alebo nie je poškodená. Pri rozbalovaní postupujte opatrne, nič zbytočne neroztrhávajte a nerozbíjajte - nepočínajte si, prosím, ako netrpezlivá novomanželka pri rozbalovaní svadobných darov. Týmto spôsobom sa tiež lepšie zoznámite so všetkými časťami modelu. Ak zistíte, že nejaký diel chýba alebo je poškodený, prosím, okamžite kontaktujte predajcu, u ktorého ste model zakúpili. Potom, čo si stavebnicu odnesiete domov, a začnete sa s ňou podrobnejšie oboznámať, môže sa vám stať, že z nejakého dôvodu stratíte pôvodné

- naďšenie a elán - model môže byť treba príliš veľký, jeho stavba sa môže ukázať zložitejšia a časovo náročnejšia, ako ste čakali. To sa môže stať každému. V tom prípade, prosím, nepokračujte ďalej. Ak budete schopní model vrátiť v pôvodnom, úplnom a neporušenom stave, nebude vám predajca robiť ťažkosti pri jeho vrátení alebo výmene za iný. Majte, prosím, na pamäti, že akonáhle model začnete stavať, predajca ho už nemôže jednoducho vziať späť.
4. Návod obsahuje zreteľne vyznačenú polohu ťažiska a odporúčané predvolené veľkosti výchyliek ovládacích plôch. Dodržanie správnej polohy ťažiska je absolútne nutnou podmienkou pre to, aby bol model ovládateľný a letuschopný. Správnu polohu je nutné bezpodmienečne dodržať. Pre prvý vzlet model skompletizujte tak, aby ťažisko zodpovedalo údajom v návode - to je bezpečná hodnota pre skúseného pilota, ktorý je oboznámený so správaním modelu v plnom rozsahu bežných letových rýchlostí. Ťažisko viac vpredu znamená model „hodnejší“ stabilnejší a ľahšie ovládateľný. Zadná poloha ťažiska značí model „živší“, s menšou stabilitou a rýchlejšími reakciami na riadenie a celkovo náročnejší na ovládanie - preto je vhodné začať s prednou polohou ťažiska, a až potom, čo s pilotážou modelu zoznámite a zjijete, môžete začať experimentovať.

ZÁSADY BEZPEČNEJ PREVÁDZKY

- Ako vlastník tohto výrobku ste výhradne zodpovedný za to, že je prevádzkovaný spôsobom, ktorým neohrozujete seba a ostatných, ani nevedie k poškodeniu výrobku alebo iným škodám na majetku. Model je ovládaný prostredníctvom vysokofrekvenčného signálu, ktorý môže podliehať rušeniu z vonkajších zdrojov mimo vašu kontrolu. Nikdy tiež nemožno úplne vylúčiť možnosť nejaké závrady na modeli alebo pilotážnej chyby, takže je vhodné vždy lietať s modelom tak, aby sa všetkých smeroch nachádzal v bezpečnej vzdialenosti od okolitých predmetov a osôb, pretože táto vzdialenosť pomôže zabrániť zraneniu alebo škodám na majetku.
- Vždy sa riadte návodom, abyste si mohli užívať bezpečný a spoľahlivý model.
- Pozor na otáčajúcu sa vrtuľu! Zabráňte jej kontaktu s voľnými predmetmi, ktoré by sa mohli namotať - napr voľné časti odevu - alebo s inými predmetmi, ako sú ceruzky, skrutkovača atď. Dávajte pozor, aby otáčajúca sa vrtuľa bola v bezpečnej vzdialenosti od prstov a tváre - vášho aj ostatných

ľudí a zvierat.

- Pokiaľ s modelom nelietate, nenechávajte pohonný akumulátor pripojený. Regulátor aj pri stiahnutom plynu odoberá určitý prúd, ktorý by pri dlhotrvajúcom pripojení (hodiny, dni) mohol spôsobiť hlboké vybitie pohonného akumulátora s rizikom jeho zničenia a možnosťou vzniku požiaru.
- Udržujte všetky chemikálie, malé časti modelu a všetky elektrické zariadenia mimo dosah detí.
- Voda a vlhkosť môžu spôsobiť poškodenie elektroniky. Zabráňte pôsobeniu vody na všetko vybavenie, ktoré nie je osobitne projektované a konštruované ako odolné voči tomuto pôsobeniu.
- Model je zhotovený v prevažnej väčšine z plastov; nie je nehorľavý. Model nesmie byť vystavený pôsobeniu vyšších teplôt (v blízkosti zdrojov tepla, na priamom slnku v uzavretom interiéri auta apod.), inak hrozí nebezpečenstvo zdeformovania penového draku modelu alebo iné škody.

ZÁKLADNÉ TECHNICKÉ DÁTA

Rozpätie	1600 mm
Dĺžka	1151 mm
Plocha krídla	36,8 dm ²
Letová hmotnosť	2100 g

Motor	C3548-800
Regulátor	KAVAN R-50SB SBEC
Vrtuľa	10x6" 3-listá

OBSAH SADY

- 100% osadený iba krátku montáž vyžadujúci model (serva, striedavý motor, regulátor otáčok, vrtule), návod na stavbu. (Obr. 1a+1b)

NA DOHOTOVENIE MODELU EŠTE BUDETE POTREBOVAŤ

- Najmenej sedemkanálový vysielač a prijímač, pohonný akumulátor LiPo 14,8 V 2600-3300 mAh.
- Bežné modelárske náradie - modelársky nôž, skrutkovače, kliešte, ploché

klúč č. 10, brusný papier atď.

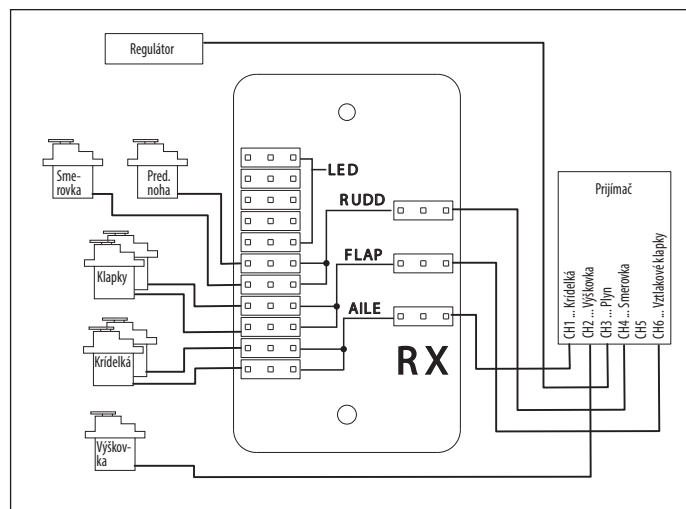
- Lepidlá: stredné alebo husté sekundové lepidlo alebo lepiaci tmel (silikonový alebo MS polymérový).

STAVBA MODELA

1. Zatiaľ na sucho, bez lepenia zasuňte zvislú a vodorovnú chvostovú plochu do výrezov v trupe (viď obr. 2+3). Uistite sa, že diely dobre lícuju a vodorovná a zvislá chvostová plocha sú navzájom kolmé (obr. 4). Ak je treba, diely opatrne zabrušte.
2. Kábel serva smerovky prepojte s predĺžovacím káblom v trupe (RUDD) a konektory zaistite zmršťovacou bužirkou, previazaním dentálnou niťou alebo prelepením samolepiacou páskou. Na styčnú plochu na kýlovke naneste stredné alebo radšej husté sekundové lepidlo popr. číry lepiaci tmel a zvislú chvostovú plochu usadte na miesto. (Obr. 2)

3. Kábel serva výškovky prepojte s predĺžovacím káblom v trupe (ELEV) a konektory zaistite zmršťovacou bužirkou, previazaním dentálnou niťou alebo prelepením samolepiacou páskou. Na styčnú plochu naneste stredné alebo radšej husté sekundové lepidlo popr. číry lepiaci tmel a vodorovnú chvostovú plochu usadte na miesto. (Obr. 3)
4. Ešte pred vytvrdnutím lepidla znovu skontrolujte, že vodorovná a zvislá chvostová plocha sú navzájom kolmé. (Obr. 4)
5. Poloviny krídla nasuňte na trubkovú spojku; káble serv krídelok, klapiek a LED svetiel vyvedte na hornú stranu krídla. (Obr. 5)

- Káble serv a LED svetiel zavedte do trupu do priestoru kabíny a krídlo usadte na trup. Na krídlo umiestnite hlavný podvozok a spolu s krídlom ho upevnite k trupu dvoma samoreznými skrutkami 3,0x40 mm. **(Obr. 6)**
- Prednú nohu zasuňte do konzoly v trupe, odoberte kryt kabíny, na vyčnievajúci koniec nasadte ovládaciu páku a zaistite ju nastavovacou skrutkou M3x10 mm. **(Obr. 7+8+9)**
- Na hriadeľ unášača nasadte vrtulu a zaistite ju maticou s podložkou, ktorú pevne dotiahnite kľúčom č. 10. (Z bezpečnostných dôvodov je ale vhodnejšie ponechať montáž vrtule až nakoniec, keď po zapojení RC súpravy overíte, že sa motor otáča v správnom zmysle.) Kužel vrtule upevnite pomocou skrutky M2,5x22 mm. **(Obr. 10)**
- Na spodnú stranu vášho akumulátora nalepte pásik suchého zipsu (časť so slučkami; nie je súčasťou stavebnice) a akumulátor upevnite páskami suchého zipsu v priestore kabíny. **(Obr. 11)**
- Odstráňte kryt zapojovacej dosky a váš prijímač zapojte podľa schémy vpravo.



Prijímač s pripojenými servami a regulátorom otáčok upevnite v zadnej časti kabíny pomocou pásika samolepiaceho suchého zipsu alebo obojstrannej samolepiacej pásky s penovou vrstvou a antény umiestnite tak, aby ich aktívne časti boli na seba navzájom kolmé (ak máte prijímač s diverzitnými anténami).

Pozn.: V základnom prevedení sa servy krídielok, klapiek, smerovky a prednej nohy pripájajú do prijímača pomocou špeciálnej zapojovacej dosky nainštalovanej v modeli, čo umožňuje pre ovládanie modelu používať aj tie najjednoduchšie šesťkanáľové RC súpravy. Pokiaľ chcete používať nezávislé ovládanie krídielok a klapiek, aké umožňujú pokročilejšie počítačové RC súpravy, je zapojovaciu dosku nutné nahradiť štvoricou 25-30 cm predĺžovacích káblov. LED svetlá sú iba napájané zo zapojovacej dosky; nie sú nijako diaľkovo ovládané. **(Obr. 12)**

- Zapnite vysielач, ovládač plynu stiahnite úplne dolu - až potom môžete pripojiť pohonný akumulátor k regulátoru otáčok. Vykonajte kalibráciu rozsahu plynu regulátora otáčok podľa návodu na jeho obsluhu v prílohe. So všetkými ovládačmi a trimami v neutráli nastavte do stredovej polohy všetky kormidla.
- Nasadte kryt kabíny.
- Stredným sekundovým lepidlom prilepte makety antén (obr. 13) a Pitotovej trubice **(obr. 14)**.

INŠTALÁCIA RC SÚPRAVY A PRÍPRAVA NA LET

- Prí inštalácii a zapájaní palubnej RC súpravy sa riadte návodom na jej obsluhu. Po úplnom zostavení modelu zapojte palubné RC vybavenie a preskúšajte činnosť serv - správny zmysel a veľkosť výchyliek. Ak má niektoré kormidlo príliš veľké výchylky, posuňte tiahlo na páke serva bližšie k stredu - alebo na páke kormidla ďalej od kormidla. Ak by naopak výchylka bola príliš malá, postupujte práve opačným spôsobom.

Odporúčané výchylky	Malé výchylky		Veľké výchylky	
	Výchylky	Expo	Výchylky	Expo
Krídeldka	±13 mm	35-40%	±20 mm	40%
Výškovka	±13 mm	30-35%	±20 mm	35%
Smerovka	±26 mm	25-30%	±40 mm	30%
Klapky	Vzlet: -12 mm dole / Pristátie: -30 mm dole			

- Malé výchylky v tabuľke sú vhodné pre menej skúsených pilotov a normálne lietanie. Veľké výchylky dovoľujú skúsenému pilotovi vychutnať si naplno akrobatické schopnosti modelu.
- Skontrolujte zmysel otáčania vrtule. Ak by bol nesprávny, proste medzi se-

bou prehoďte ktorékoľvek dva z trojice vodičov medzi regulátorom otáčok a motorom.

- Skontrolujte správnu polohu ťažiska (**75-85 mm**) - prípadnej zmeny polohy sa snažte dosiahnuť zmenou polohy pohonných akumulátorov **(Obr. 15)**. Ak by to nestačilo, neváhajte pridať potrebné množstvo záťaže do prednej časti alebo do chvosta - kým pár gramov navyše letové vlastnosti modelu prakticky neovplyvnia, nesprávnu polohu ťažiska model spozná okamžite.
- Pred prvým vzletom naplno nabite akumulátory vo vysielачi aj pohonné pre model, preskúšajte funkciu RC súpravy a vykonajte skúšku dosahu podľa návodu na obsluhu RC súpravy. Dosah s motorom bežiacim na plný plyn nesmie byť o veľa (nie viac ako 10%) menší ako s motorom vypnutým. Pokiaľ nie je test dosahu 100% úspešný, nepokúšajte sa o vzlet.
- Ak nie ste skúseným pilotom RC modelov, alebo ešte nemáte väčšie skúsenosti s daným typom modelov, zverte radšej prvý let do rúk skúseného pilota. Nie je to žiadna hanba - i skutočná lietadlá zalietávajú najprv skúsení továrnski piloti. Pravdepodobne v každom modelárske klube nájdete superkúseného pilota, ktorý zalietáva modely veľkej časti ostatných členov.

LIETANIE

Zalietanie a vytrímovanie modelu je bez zákernosti; zodpovedá typickým strojom tejto veľkosti a usporiadania - a pre stredne pokročilého pilota,

ktorému sú tieto modely určené, nebude predstavovať problém.

PRÍLOHA

KAVAN R-6B...R-80SB

Programovateľné elektronické regulátory otáčok pre striedavé motory

Ďakujeme vám za zakúpenie elektronického regulátora otáčok pre striedavé motory radu KAVAN. Stali ste sa majiteľom špičkového výrobku ideálneho pre použitie v rekreačných modeloch lietadiel. Všetky regulátory je možné programovať s pomocou vysielачa a ešte ľahšie s pomocou programovacej karty KAVAN Card.

PROGRAMOVATELNÉ FUNKCIE

- Programovateľná brzda (brzdu odporúčame používať len spolu so sklopnou vrtulou).
- Voliteľný typ akumulátorov (Li-po alebo NiCd / NiMH).
- Nastaviteľný spôsob odpojenia motora pri poklese napájacieho napätia (znižovanie výkonu alebo okamžité odpojenie).
- Nastaviteľné medzné napätie pre odpojenie motora, ochrana proti nadmernému vybitiu akumulátorov.
- Nastaviteľný mäkký rozbeh (pre motory s prevodovkou a vrtuľníky).
- Nastaviteľné časovanie (predstih) - pre zvýšenie účinnosti a optimálne prispôbenie motora.

TECHNICKÉ DÁTA

	Typ BEC	Prúd (A) Trv./Špič.	Napájanie počet článkov	Hmotnosť (g)	BEC (Napätie/Prúd)	Rozmery (mm)
KAVAN R-6B	*BEC	6A\8A	2Lipo	5.5g	5V\0.8A	32x12x4.5
KAVAN R-12B	*BEC	12A\15A	2-3Lipo	9g	5V\1A	38x18x6

	Typ BEC	Prúd (A) Trv./Špič.	Napájanie počet článkov	Hmotnosť (g)	BEC (Napätie/Prúd)	Rozmery (mm)
KAVAN R-15B	*BEC	15A\20A	2-3Lipo	16.5g	5V\2A	48x22.5x6
KAVAN R-20B	*BEC	20A\25A	2-3Lipo	19g	5V\2A	42x25x8
KAVAN R-30B	*BEC	30A\40A	2-3Lipo	37g	5V\2A	68x25x8
KAVAN R-40B	*BEC	40A\55A	2-3Lipo	39g	5V\3A	68x25x8
KAVAN R-40SB	**SBEC	40A\55A	2-4Lipo	43g	5V\3A	65x25x12
KAVAN R-50SB	**SBEC	50A\65A	2-4Lipo	41g	5V\7A	65x29x10
KAVAN R-60SB	**SBEC	60A\80A	3-6Lipo	63g	5V\7A	77x35x14
KAVAN R-80SB	**SBEC	80A\100A	3-6Lipo	82g	5V\7A	86x38x12

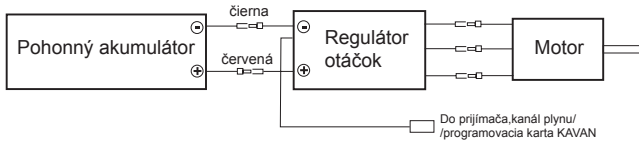
*BEC - lineárny BEC **SBEC - výkonný spinaný BEC

ZAPOJENIE REGULÁTORA

Motorové káble regulátora je možné ku striedavému motoru upevniť natrvalo spájkovaním alebo pomocou dostatočne dimenzovaných konektorov. Vždy používajte nové konektory, dôkladne ich pripájajte s dostatočným množstvom tavidla a nakoniec všetky konektory a spájkované spoje zaizolujte zmršťovacou bužirkou. Pohonný akumulátor sa k regulátoru pripája pomocou kvalitných, dostatočne dimenzovaných konektorov - napr 2 mm pozlátene konektory (# 7939 alebo # 7940) pre prúdy do 20A, 3,5 mm (# 7941), 4 mm (# 7946) pozlátene konektory alebo DEAN -T (# 7949) pre prúdy do 60A a 6 mm (#7945) pre prúdy do 80A. Dbajte na dodržanie správnej polarity: červená (+), čierna (-); maximálna dĺžka káblov medzi akumulátorom a regulátorom by nemala prekročiť 15 cm.

K prijímaču sa regulátory pripájajú pomocou servo kábla do kanálu plynu; stabilizátor napájania BEC prostredníctvom tohto káblu zabezpečuje napájanie prijímača a serv.

Schéma zapojenia striedavého regulátora



Majte na pamäti, že prepólovanie alebo skrat poškodí regulátor, takže je na vašej zodpovednosti dvakrát skontrolovať, či majú všetky konektory správnu polaritu, a sú správne zapojené PREDTÝM, ako prvýkrát pripojíte pohonný akumulátor.

PRVÉ ZAPNUTIE REGULÁTORA A AUTOMATICKÁ KALIBRÁCIA PLYNU

Regulátor je vybavený funkciou automatickej kalibrácie pre dosiahnutie vysokého rozlíšenia a plnulé odozvy v celom rozsahu výchylky ovládača plynu na vysielaci. Kalibrácia sa vykonáva len raz pri prvom zapnutí, kedy regulátor rozpozná a uloží si do pamäti rozsah riadiaceho signálu z vysielacza - opakovať je potrebné tento postup jedine pri zmene vysielacza.

1. Zapnite vysieláč, ovládač plynu presuňte úplne hore do polohy plný plyn.
2. K regulátora pripojte pohonný akumulátor, počkajte cca 2 s.
3. Po 2 sekundách motor vydá dve pípnutia (Píp-Píp-), ktorými potvrdzuje, že rozoznal polohu „plný plyn“.
4. Ihneď potom presuňte ovládač plynu úplne dole. Malo by sa ozvať niekoľko pípnutí (Píp-) oznamujúcich zistený počet článkov akumulátora.
5. Potom sa ozve dlhé pípnutie (Píp ----) oznamujúce, že poloha „motor vypnutý“ bola uložená do pamäti regulátora.

Regulátor je nakalibrován a pripravený na použitie.

NORMÁLNY POSTUP PRI ZAPÍŇANÍ

1. Zapnite vysieláč, ovládač plynu nastavte do polohy „motor vypnutý“.
2. Pripojte pohonný akumulátor, ozve sa triok „123“: napájacie napätie je v povolenom rozsahu.
3. Ozve sa niekoľko pípnutí (Píp-) oznamujúcich zistený počet článkov akumulátora.
4. Po ukončení úvodnej inicializácia regulátora sa ozve dlhé pípnutie (Píp ----).
5. Pomaly vychylujte ovládač plynu hore, vrtuľa by sa mala zvolna roztocit v smere hodinových ručičiek (pri pohľade pilota z kabíny modelu). Ak sa otáča opačne, stiahnite ovládač plynu dole, odpojte pohonný akumulátor a prehodte medzi sebou ktorékoľvek dva z trojice káblov medzi motorom a regulátorom. Potom vyskúšajte znova.

OCHRANNÉ FUNKCIE

1. **Ochrana pri rozbehu:** Ak sa motor neroztočí do 2 sekúnd po pridaní plynu, regulátor odpojí motor. V tomto prípade musíte ovládač plynu stiahnuť späť úplne dole pre nové reštartovanie motora. (K tomu môže dôjsť v nasledujúcich prípadoch: prepojenie medzi motorom a regulátorom nie je spoľahlivé, vrtuľa alebo motor sú blokovane, prevodovka je poškodená atď.)
2. **Teplná ochrana:** Ak teplota regulátora prekročí 110 ° C, regulátor obmedzí výstupný výkon.
3. **Strata signálu plynu:** Regulátor obmedzí výkon, ak signál chýba po dobu 1 s; signál chýbajúci po viac než 2 s spôsobí úplné odpojenie motora.

POUŽITIE PROGRAMOVACEJ KARTY KAVAN

Pre programovanie môžete tiež využiť programovaciu kartu KAVAN Card. S KAVAN Card ide programovanie veľmi rýchlo - tlačidlami nastavte požadované hodnoty programovateľných funkcií regulátora a odošlite ich do pripojeného regulátora. Vrelo odporúčame!

PROGRAMOVANIE REGULÁTOROV KAVAN S VYSIELAČOM

Krok 2: Voľba programovacieho režimu
Po vstupe do programovacieho režimu začujete 8 tónov v slúchadle v nasledujúcom poradí: Ak ovládač plynu stiahnete úplne dole do 3 sekúnd po jednom z tónov, bude prístupná funkcia zvolená.

1. „píp-“ (1 krátky tón)
2. „píp-píp-“ (2 krátke tóny)
3. „píp-píp-píp-“ (3 krátke tóny)
4. „píp-píp-píp-píp-“ (4 krátke tóny)
5. „píp-“ (1 dlhý tón)
6. „píp-“ (1 dlhý tón)
7. „píp-“ (1 dlhý tón)
8. „píp-“ (1 dlhý tón)

Pozn.: 1 dlhé pípnutie „píp-“ = 5 krátkych pípnutí „píp-“

Krok 3: Nastavenie hodnoty funkcie
Počujete niekoľko tónov opakované v slúchadle. Keď počujete tón zodpovedajúci požadovanej hodnote, ovládač plynu dajte do polohy plný plyn, ozve sa triok „123“ potvrdzujúci, že hodnota bola zvolená a uložená do pamäti. (Ak podržíte ovládač plynu hore, vráťte sa na krok 2 a môžete pokračovať alebo stiahnutím plynu dole do 2s programovanie ukončíte.)

Funkcia	Tóny	„píp-“ 1 krátky tón	„píp-píp-“ 2 krátke tóny	„píp-píp-píp-“ 3 krátke tóny
Brzda (Brake)	Vypnutá (OFF)	Li-xx	Zapnutá (ON)	Ni-xx
Typ akumulátora (Battery Type)	Obmedzenie (Soft-Cut)	Nízka (Low)	Stredná (Middle)	Vysoká (High)
Odpojenie motora (Cut Off Voltage)	Normal	Mäkký (Soft)	Veľmi mäkký (Very Soft)	Vysoké (High)
Rozbeh (Start Mode)	Nízke (Low)	Stredné (Middle)		
Časovanie (Timing)				

Krok 4: Ukončenie programovacieho režimu
Programovanie môžete ukončiť 2 spôsobmi:

1. V kroku 3, po trioku „123“ do 2 sekúnd stiahnite ovládač plynu úplne dole.
2. V kroku 2, po tóne „píp-“ do 3 sekúnd (t. j. Po funkcii č. 8) do 3 sekúnd stiahnite ovládač plynu úplne dole.

PROGRAMOVATEĽNÉ FUNKCIE REGULÁTOROV KAVAN

1. Brzda: Vypnutá / Zapnutá

Zapnutá: po stiahnutí plynu na minimum sa motor zabrzdí. Vhodné u motorových vetroňov so sklopnou vrtuľou, ktorá sa po zabrzdení môže sklopit.

Vypnutá: po stiahnutí ovládača plynu na minimum sa motor a vrtule voľne pretáčajú. Vhodné pre klasické motorové modely.

2. Typ akumulátorov: LiPo / NiCd/NiMH

3. Spôsob odpájania motora: Obmedzenie výkonu / Tvrdé vypnutie

Obmedzenie výkonu: Akonáhle napätie pohonného akumulátora poklesne na nastavenú hraničnú hodnotu napätovej ochrany PCO, regulátor začne obmedzovať výkon motora.

Tvrde vypnutie: Akonáhle napätie pohonného akumulátora poklesne na nastavenú hraničnú hodnotu napätovej ochrany PCO, regulátor okamžite vypne motor.

4. Napätová ochrana: Nízka / Stredná / Vysoká

1) **Pre lítiové akumulátory** je počet článkov stanovený automaticky. Prahové napätie pre úroveň ochrany Nízka / Stredná / Vysoká je 2.85V / 3.15V / 3.3V na článok. Napríklad: pre 3S LiPo sadu pri „Strednej“ úrovni PCO ochrany je koncové napätie 3 x 3.15 = 9.45 V.

2) **Pre NiMH akumulátory** sú úrovne ochrany Nízka / Stredná / Vysoká 0% / 50% / 65% počiatocného napätia sady po pripojení k regulátoru; 0% znamená, že je ochrana vypnutá. Napr.: plne nabitý 6-čl. NiMH akumulátor bude mať napätie 6 x 1.44 = 8.64 V. Pri „Strednej“ úrovni ochrany bude vypínacie napätie 8.64 x 0.50 = 4.32 V.

5. Rozbeh: Normal / Mäkký / Veľmi mäkký

Normálny rozbeh je vhodný pre modely lietadiel, Mäkký alebo Veľmi mäkký pre modely vrtuľníkov. Počiatočná akcelerácia u režimov Mäkký alebo Veľmi mäkký je spomalená; v režime Mäkký sa motor rozbehne za 1,5 s, v režime Veľmi mäkký za 3 s od presunutie ovládača plynu z nuly na plný plyn. Ak ovládač plynu stiahnete úplne dole a opäť dáte plný plyn do 3 s po prvé spustenie motora, ďalšie prípadné rozbehy budú v režime Normal, aby sa predišlo novej havárii modelu z dôvodu pomalej odozvy plynu. Táto špeciálna funkcia je vhodná pre akrobatické lietanie, kde je vyžadovaná rýchla odozva plynu.

5. Časovanie: Nízke / Stredné / Vysoké

Nízke (7-22 °): nastavenie vhodné pre väčšinu dvojpólových motorov.

Stredné (15°): nastavenie vhodné pre motory so 6 a viac pólmí.

Vysoké (22-30 °): nastavenie vhodné pre motory s 12 a viac pólmí, motory s rotačným plášťom.

Vo väčšine prípadov stredné alebo nízke nastavenie časovania funguje s väčšinou motorov. Pre dosiahnutie vyššej účinnosti odporúčame pre dvojpólové motory nastavovať Nízke časovanie a Stredné pre motory so 6 a viac pólmí (všeobecne povedané pre motory s rotačným plášťom „Outrunner“). Pre dosiahnutie vyššieho výkonu u outrunnerov môžete použiť Vysoké časovanie. Niektoré motory vyžadujú špecifické nastavenia časovania, takže vám odporúčame riediť sa odporúčaním výrobcu motora.

Pozn.: Po zmene nastavenia časovania motor najprv vyskúšajte na zemi!

PORADCA V ŤAŽKOSTIACH

Problém	Možná príčina	Riešenie
Po pripojení akumulátora motor nepracuje, neozýva sa žiadne pípanie.	Zlé zapojenie alebo zlý kontakt konektora medzi regulátorom a akumulátorom.	Skontrolujte zapojenie káblov. Skontrolujte a prípadne vymeňte konektor.
Po pripojení akumulátora motor nepracuje, ozýva sa nasledujúce pípanie: "píp-píp-, píp-píp-, píp-píp-" (Pauza medzi "píp-píp-" je dlhý približne 1 s)	Napájacie napätie je mimo dovolený rozsah - príliš malé alebo príliš veľké.	Skontrolujte napätie pohonného akumulátora.
Po pripojení akumulátora motor nepracuje, ozýva sa nasledujúce pípanie: "píp-, píp-, píp-" (Pauza medzi "píp-" je dlhá cca 2 s)	Riadiaci signál v kanáli plynu má výpadky. Skontrolujte fungovanie vysielacza a prijímača.	Skontrolujte káble kanálu plynu.
Po pripojení akumulátora motor nepracuje, ozýva sa nasledujúce pípanie: "píp-, píp-, píp-" (Pauza medzi "píp-" je dlhá cca 0,25 s)	Ovládač plynu nie je úplne dole ("motor vypnutý").	Stiahnite ovládač plynu úplne dole.
Po pripojení akumulátora motor nepracuje, po dvojitom pípnutí (píp-píp-) sa ozve triok "156712".	Zmysel výchyliek kanála plynu je opačný, takže regulátor prešiel do programovacieho režimu.	Nastavte správny zmysel výchyliek v kanáli plynu na vysielachi.
Motor beží v opačnom zmysle.	Je potrebné zmeniť zapojenie káblov medzi regulátorom a motorom.	Prehodte navzájom ktorékoľvek dva z trojice káblov medzi motorom a regulátorom.

ZÁSADY BEZPEČNEJ PREVÁDZKY

- Nemontujte vrtuľu (model lietadla) alebo pastork (model vrtuľníka) na motor skôr, než nastavenie modelu a regulátora vyskúšate a overíte, že je správne. Až potom môžete vrtuľu alebo pastork namontovať.
- Nikdy nepripájajte poškodené pohonné akumulátory.
- Nepoužívajte akumulátory, ktoré sa v spojení s daným regulátorom a motorom prehrievajú.
- Nikdy neskratujte vývody akumulátorov alebo motora.
- Všetky káble a konektory musia byť spoľahlivo izolované.
- Používajte spoľahlivé konektory dimenzované na prevádzkový prúd.
- Neprekračujte počet článkov (veľkosť napájacieho napätia) regulátora a povolený počet serv (zaťažiteľnosť BEC stabilizátora).
- Zapojenie akumulátora s nesprávnou polaritou poškodí regulátor a znamená stratu záruky.
- Regulátor v modeli umiestnite tak, aby bolo zabezpečené dostatočné chladenie. Regulátor má vstavanú ochranu, ktorá odpojí motor, ak teplota regulátora prekročí 110 ° C.
- Používajte iba typ akumulátorov, pre ktorý je regulátor konštruovaný, a zaistite dodržanie správnej polaritu.
- Vždy najprv zapnite vysieláč a uistite sa, že ovládač plynu v polohe úplne dole, vypnuté - skôr, než pripojíte pohonný akumulátor.
- Nikdy nevyvíjajte vysieláč, ak je pohonný akumulátor pripojený k regulátoru.
- Pohonný akumulátor pripájajte až tesne pred vzlietnutím a po pristátí ho nenechávajte pripojený.
- Akonáhle je pohonný akumulátor pripojený, vždy s modelom zaobchádzajte tak, ako keby sa mohol motor kedykoľvek rozbehnúť a vrtule roztocit. Pozor na prsty, tvár, voľné časti oblečenia. Nikdy nestojte vy ani prizerajúci osoby v rovine otáčajúcej sa vrtule.
- Zapnutý regulátor neoponajte do vody.
- Lietajte len na bezpečných miestach, pokiaľ možno na plochách vyhradených pre modelárske použitie, a dodržujte bezpečnostné zásady a pravidlá slušného modelárskeho správania.

Recycling and Waste Disposal Note (European Union)

Electrical equipment marked with the crossed-out waste bin symbol must not be discarded in the domestic waste; it should be disposed of via the appropriate specialised disposal system. In the countries of the EU (European Union) electrical devices must not be discarded via the normal domestic waste system (WEEE - Waste of Electrical and Electronic Equipment, Directive 2012/19/EU). You can take your unwanted equipment to your nearest public collection point or recycling centre, where it will be disposed of in the proper manner at no charge to you. By disposing of your old equipment in a responsible manner you make an important contribution to the safeguarding of the environment!



EU Declaration of Conformity (European Union)

Hereby, Pelikan Daniel declares that this Bristell B23 model and the included electronic and electric devices are in compliance with the requirements of relevant European directives and harmonized norms.

The full text of the Declaration of Conformity is available at www.pelikandaniel.com/doc/.



Recyklace (Evropská unie)

Elektrická zařízení opatřená symbolem přeškrtnuté popelnice nesmějí být vyhazována do běžného domácího odpadu, namísto toho je nutno je odevzdat ve specializovaném zařízení pro sběr a recyklaci.

V zemích EU (Evropské unie) nesmějí být elektrická zařízení vyhazována do běžného domácího odpadu (WEEE - Waste of Electrical and Electronic Equipment - Likvidace elektrických a elektronických zařízení, směrnice 2012/19/EU). Nežádoucí zařízení můžete dopravit do nejbližšího zařízení pro sběr nebo recyklačního střediska. Zařízení poté budou likvidována nebo recyklována bezpečným způsobem zdarma. Odevzdáním nežádoucího zařízení můžete učinit důležitý příspěvek k ochraně životního prostředí.



EU prohlášení o shodě

Pelikan Daniel tímto prohlašuje, že model Bristell B23 a všechna elektrická a elektronická zařízení s nimi dodávaná jsou ve shodě s požadavky relevantních evropských nařízení, směrnice a harmonizovaných norem.

Plný text prohlášení o shodě je k dispozici u na webové adrese www.pelikandaniel.com/doc/



Anmerkung zur Entsorgung (Europäische Union)

Elektrisches/Elektronisches Gerät, markiert mit dem Symbol des durchgestrichenen Mülleimers, darf nicht mit dem Hausmüll entsorgt werden; es sollte dem dafür vorgesehenen Elektroschrott zugeführt werden.

In den Ländern der EU (Europäische Gemeinschaft) dürfen elektrische/elektronische Geräte nach WEEE, Richtlinie 2012/19/EU nicht dem Hausmüll zugeführt werden. Sie können eine Entsorgung bei der nächstgelegenen Elektroschrott-Annahmestelle gratis vornehmen. Durch entsprechende Entsorgung tragen Sie zum Umweltschutz bei!



EG Konformitätserklärung

Hiermit erklärt Pelikan Daniel, dass die HPH Bristell B23 den Anforderungen der einschlägigen europäischen Vorschriften, Richtlinien und Normen entspricht.

Den vollständigen text der Konfirmationserklärung können Sie unter www.pelikandaniel.com einsehen.



Recyklácia (Európska únia)

Elektrické zariadenia opatrená symbolom přeškrtnutej popelnice nesmú byť vyhazované do bežného domáceho odpadu, namiesto toho je nutné ich odovzdať v špecializovanom zariadení pre zber a recykláciu.

V krajinách EÚ (Európskej únie) nesmú byť elektrické zariadenia vyhazované do bežného domáceho odpadu (WEEE - Waste of Electrical and Electronic Equipment - Likvidácia elektrických a elektronických zariadení, smernica 2012/19/EU. Nežiaduce zariadenia môžete dopraviť do najbližšieho zariadenia na zber alebo recyklačného strediska. Zariadenie potom budú likvidované alebo recyklované bezpečným spôsobom zadarmo. Odovzdaním nežiaduceho zariadenia môžete urobiť dôležitý príspevok k ochrane životného prostredia.



EU vyhlásenie o zhode

Pelikan Daniel týmto vyhlasuje, že model Bristell B23 a všetky elektrické a elektronické zariadenia s nimi dodávané, sú v zhode s požiadavkami relevantných európskych nariadení, smerníc a harmonizovaných noriem.

Plný text vyhlásenia o zhode je k dispozícii na webovej adrese www.pelikandaniel.com/doc/



Guarantee

The Pelikan Daniel products are covered by a guarantee which fulfils the currently valid legal requirements in your country. If you wish to make a claim under guarantee, please contact the retailer from whom you first purchased the equipment. The guarantee does not cover faults which were caused in the following ways: crashes, improper use, incorrect connection, reversed polarity, maintenance work carried out late, incorrectly or not at all, or by unauthorised personnel, use of other than genuine Pelikan Daniel accessories, modifications or repairs which were not carried out by Pelikan Daniel or an authorised Pelikan Daniel, accidental or deliberate damage, defects caused by normal wear and tear, operation outside the Specification, or in conjunction with equipment made by other manufacturers.

Please be sure to read the appropriate information sheets in the product documentation!

Záruka

Pelikan Daniel zaručuje, že tato stavebnice je v okamžiku prodeje prostá vad jak v materiálu, tak i v provedení. Tato záruka nekryje žádné části poškozené používáním nebo v důsledku jejich úpravy; v žádném případě nemůže odpovědnost výrobce a dovozce přesáhnout původní pořizovací cenu stavebnice. Firma Pelikan Daniel si také vyhrazuje právo změnit nebo upravit tuto záruku bez předchozího upozornění. Stavebnice je předmětem průběžného vylepšování a zdokonalování - výrobce si vyhrazuje právo změny konstrukčního provedení bez předchozího upozornění.

Protože firma Pelikan Daniel nemá žádnou kontrolu nad možným poškozením při přepravě, způsobem stavby a nebo materiály použitými modelářem při dokončování modelu, nemůže být předpokládána ani přijata žádná odpovědnost za škody spojené s používáním uživatelem sestaveného modelu. Okamžikem, kdy se uživatel rozhodne použít jím sestavený model, přejímá veškerou odpovědnost. Pokud není kupující připraven přijmout tuto odpovědnost, měl by stavebnici neprodeně vrátit v úplném a nepoužitém stavu na místě, kde ji zakoupil.

V případě, že váš RC model vyžaduje servis, řiďte se, prosím, následujícími zásadami. Jejich nedodržení může být důvodem k neuznání záruky.

1. K opravě předávejte celý model a vysílač - pokud se předem nedohodnete se servisním technikem jinak.
 2. Je-li to možné, použijte pro zabalení modelu původní obal. Nepoužívejte původní kartónový obal jako konečný obal.
 3. Přiložte podrobný popis vašeho používání modelu a RC soupravy a problému, se kterým jste se setkali. Přiložte očíslovaný seznam příloženého příslušenství a uveďte jakékoliv další údaje, které mohou servisu usnadnit práci. Lístek označte datem a znovu se ujistěte, že je opatřen vaší plnou adresou a telefonním číslem.
 4. Uveďte svoje jméno, adresu a telefonní číslo, kde budete k zastížení během pracovního dne. Přiložte kopii dokladu o zakoupení modelu.
- Tento záruční list opravňuje k provedení bezplatné záruční opravy výrobku dodávaného firmou Pelikan Daniel ve lhůtě 24 měsíců. Záruka se nevztahuje na přirozené opotřebení v důsledku běžného provozu, protože jde o výrobek pro sportovně-modelářské použití, kdy jednotlivé díly pracují pod mnohem vyšším zatížením, než jakému jsou vystaveny běžné hračky. Pohyblivé díly modelu (motor, serva a jejich převody, atd.) podléhají přirozenému opotřebení a po čase může být nezbytná jejich výměna. Záruka se nevztahuje také na jakoukoliv část modelu nebo RC soupravy, která byla nesprávně instalována, bylo s ní hrubě nebo nesprávně zacházeno, nebo byla poškozena při havárii, nebo na jakoukoliv část modelu nebo RC soupravy, která byla opravována nebo měněna neautorizovanou osobou. Stejně jako jiné výrobky jemné elektroniky nevystavujte vaši RC soupravu působení vysokých teplot, nízkých teplot vlhkosti nebo prašnému prostředí. Neponechávejte ji po delší dobu na přímém slunečním světle.

Garantie

Die Pelikan Daniel Produkte verfügen über eine Gewährleistung, die die Erfordernisse der gesetzlichen Regelungen in ihrem Land erfüllt. Falls Sie eine Beanstandung mit dem Anspruch auf Gewährleistung haben, kontaktieren Sie den Händler, bei dem Sie das Produkt gekauft haben. Die Gewährleistung deckt nicht Fehler ab, die durch Absturz, unsachgemäßer Gebrauch, unkorrekter Anschluss, Falschpolung, verspätete Wartung, Verwendung nicht originaler Zubehörteile, Veränderungen oder Reparaturen die nicht durch Pelikan Daniel oder berechnigte Stellen, absichtliche Beschädigung, Verwendung außerhalb der zugelassenen Spezifikationen oder in Verbindung mit Produkten anderer Hersteller, entstanden sind.

Bitte lesen Sie vor Gebrauch die entsprechende Bedienungsanleitung sorgfältig durch!

Záruka

Pelikan Daniel zaručuje, že táto stavebnica je v okamihu predaja prostá chýb ako v materiáli, ako aj v prevedení. Táto záruka nepokrýva žiadne časti poškodené používaním alebo v dôsledku ich úpravy; v žiadnom prípade nemôže zodpovednosť výrobcu a dovozcu presiahnuť pôvodnú obstarávaciu cenu stavebnice. Firma Pelikan Daniel si tiež vyhradzuje právo zmeniť alebo upraviť túto záruku bez predchádzajúceho upozornenia. Stavebnice je predmetom priebežného vylepšovania a zdokonaľovania - výrobca si vyhradzuje právo zmeny konštrukčného prevedenia bez predchádzajúceho upozornenia.

Pretože firma Pelikan Daniel nemá žiadnu kontrolu nad možným poškodením pri preprave, spôsobom stavby alebo materiálmi použitými modelárom pri dokončovaní modelu, nemôže sa predpokladať ani prijať žiadna zodpovednosť za škody spojené s používaním užívateľom zostaveného modelu. Okamihom, kedy sa užívateľ rozhodne použiť ním zostavený model, preberá všetku zodpovednosť. Pokiaľ nie je kupujúci pripravený prijať túto zodpovednosť, mal by stavebnicu bezodkladne vrátiť v úplnom a nepoužitom stavu na mieste, kde ju zakúpil.

V prípade, že váš RC model vyžaduje servis, riadte sa, prosím, nasledujúcimi zásadami. Ich nedodržanie môže byť dôvodom k neuznaniu záruky.

1. K oprave odovzdávajte celý model a vysílač - ak sa vopred nedohodnete so servisným technikom inak.
 2. Ak je to možné, použite pre zabalenie modelu pôvodný obal. Nepoužívajte pôvodný kartónový obal ako konečný obal.
 3. Priložte podrobný opis vášho používania modelu a RC súpravy a problému, s ktorým ste sa stretli. Priložte očíslovaný zoznam priloženého príslušenstva a uveďte akékoľvek ďalšie údaje, ktoré môžu servisu uľahčiť prácu. Lístok označte dátumom a znovu sa uistite, že je opatrený vašou plnou adresou a telefónnym číslom.
 4. Uveďte svoje meno, adresu a telefónne číslo, kde budete zastihnuteľný počas pracovného dňa. Priložte kópiu dokladu o zakúpení modelu.
- Tento záručný list opravňuje na vykonanie bezplatnej záručnej opravy výrobku dodávaného firmou Pelikan Daniel v lehote 24 mesiacov. Záruka sa nevztahuje na prirodzené opotrebenie v dôsledku bežnej prevádzky, pretože ide o výrobok pre športovo-modelárske použitie, kedy jednotlivé diely pracujú pod oveľa vyšším zaťažením, než akému sú vystavené bežné hračky. Pohyblivé diely modelu (motor, servá a ich prevody, atď) podliehajú prirodzenému opotrebovaniu a po čase môže byť potrebná ich výmena. Záruka sa nevztahuje tiež na akúkoľvek časť modelu alebo RC súpravy, ktorá bola nesprávne inštalovaná, bolo s ňou hrubo alebo nesprávne zaobchádzané, alebo bola poškodená pri havárii, alebo na akúkoľvek časť modelu alebo RC súpravy, ktorá bola opravovaná alebo menená neautorizovanou osobou. Rovnako ako ostatné výrobky jemnej elektroniky nevystavujte vašu RC súpravu pôsobeniu vysokých teplôt, nízkych teplot vlhkosti alebo prašnému prostrediu. Nenechávajte ju po dlhšiu dobu na priamom slnečnom svetle.



www.kavanrc.com

info@kavanrc.com
DE, CZ: +49 8374 259 2696
EN, CZ: +420 463 358 712

Made in China for PELIKAN DANIEL



PELIKAN DANIEL
Doubravice 110 | 533 53 Pardubice
Tel: 466 260 133 | Fax: 466 260 132
e-mail: info@pelikandaniel.com

WWW.PELIKANDANIEL.COM